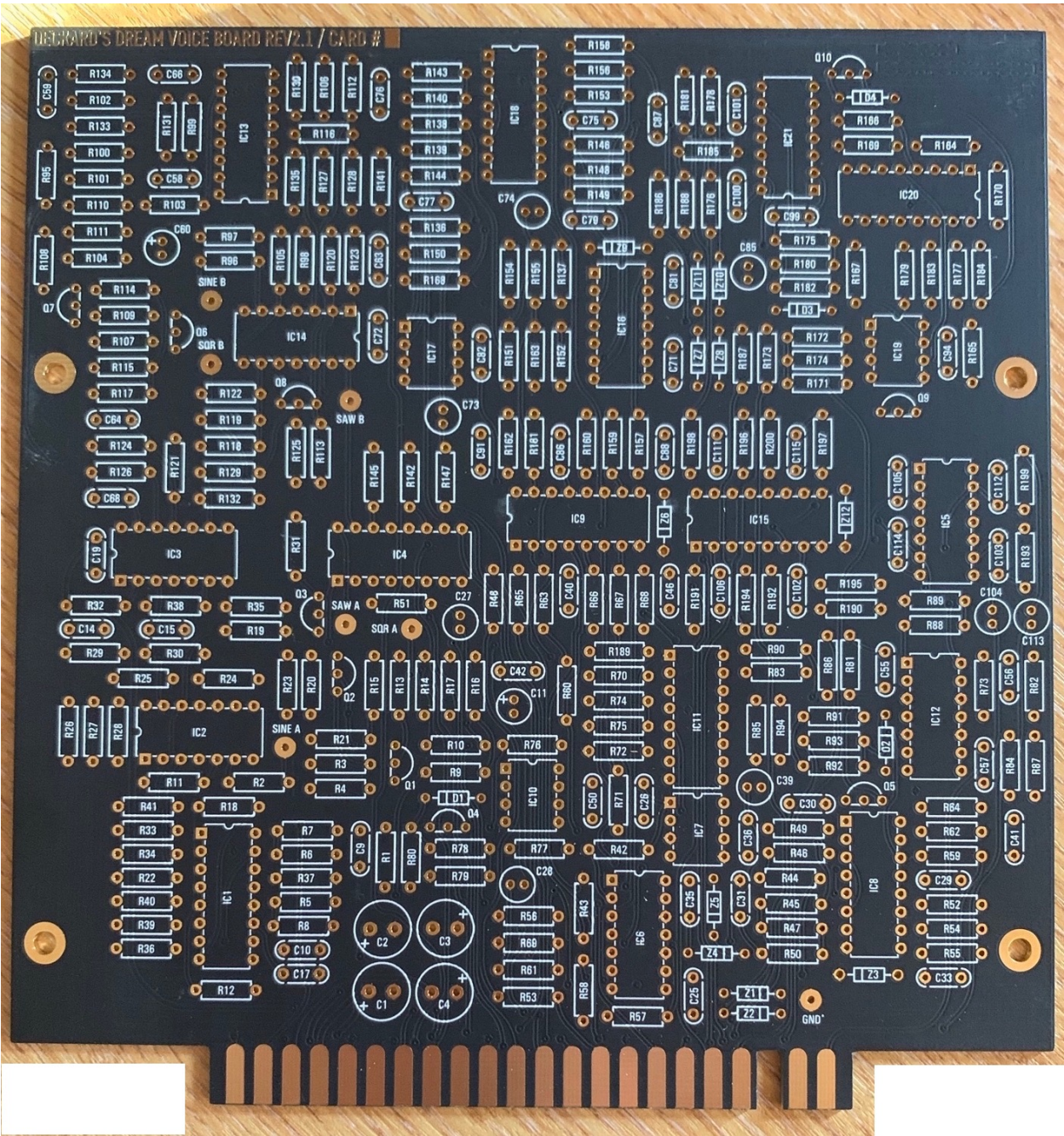
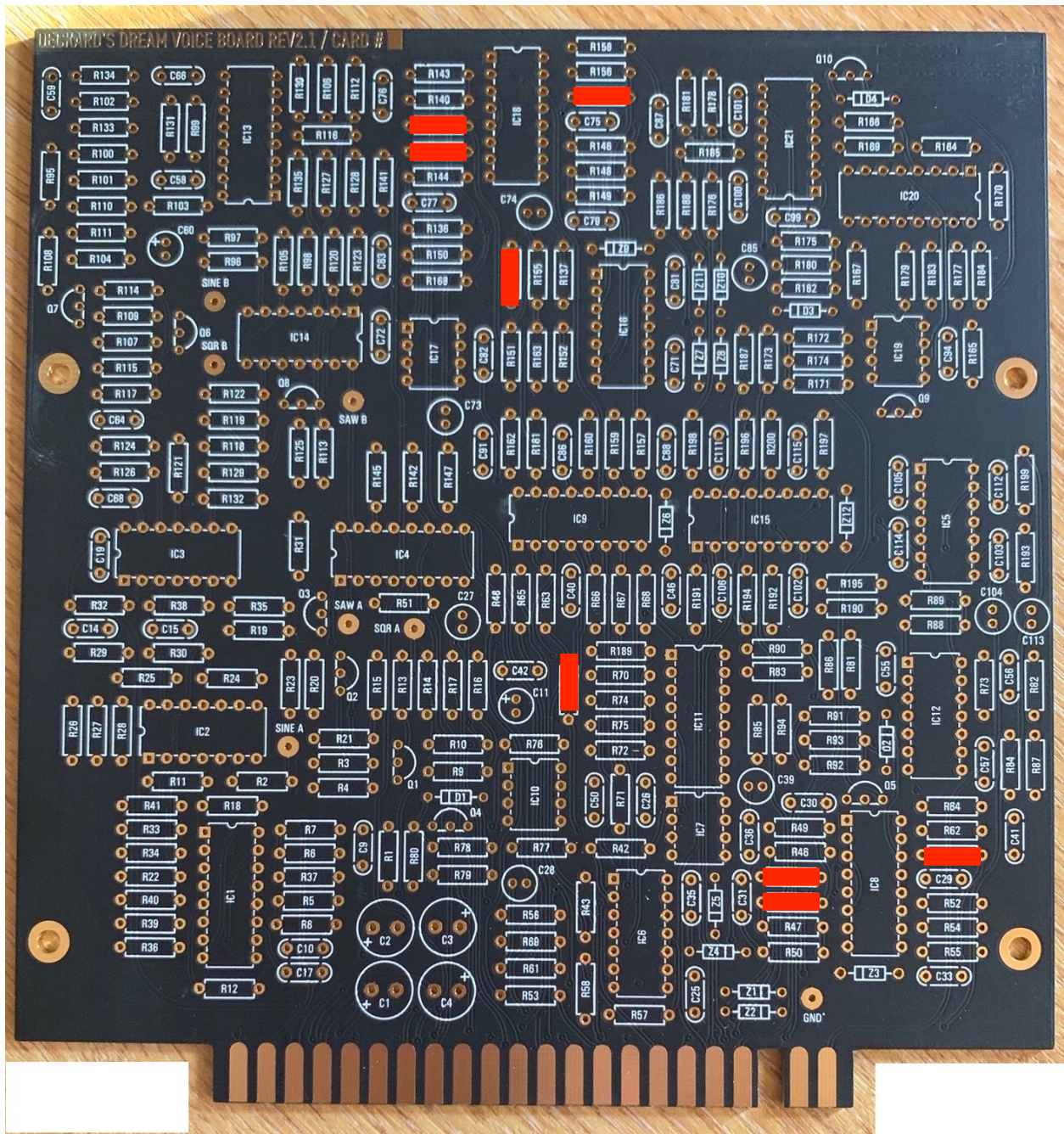


DDRM Rev2.1 Voice Card Resistor Placement Guide

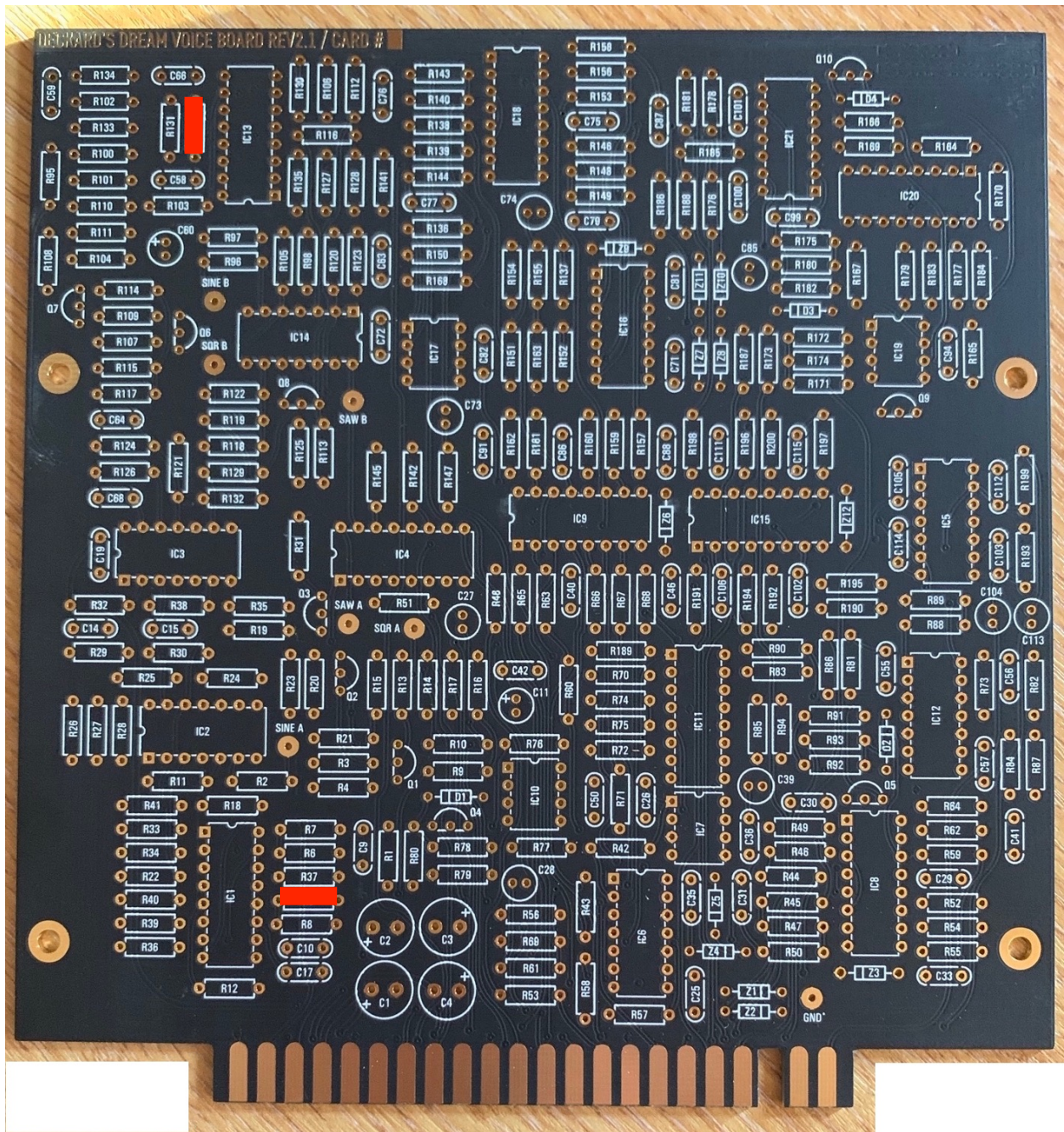
2020 December
2022 July

DECKARD'S DREAM VOICE BOARD REV2.1 / CARD #

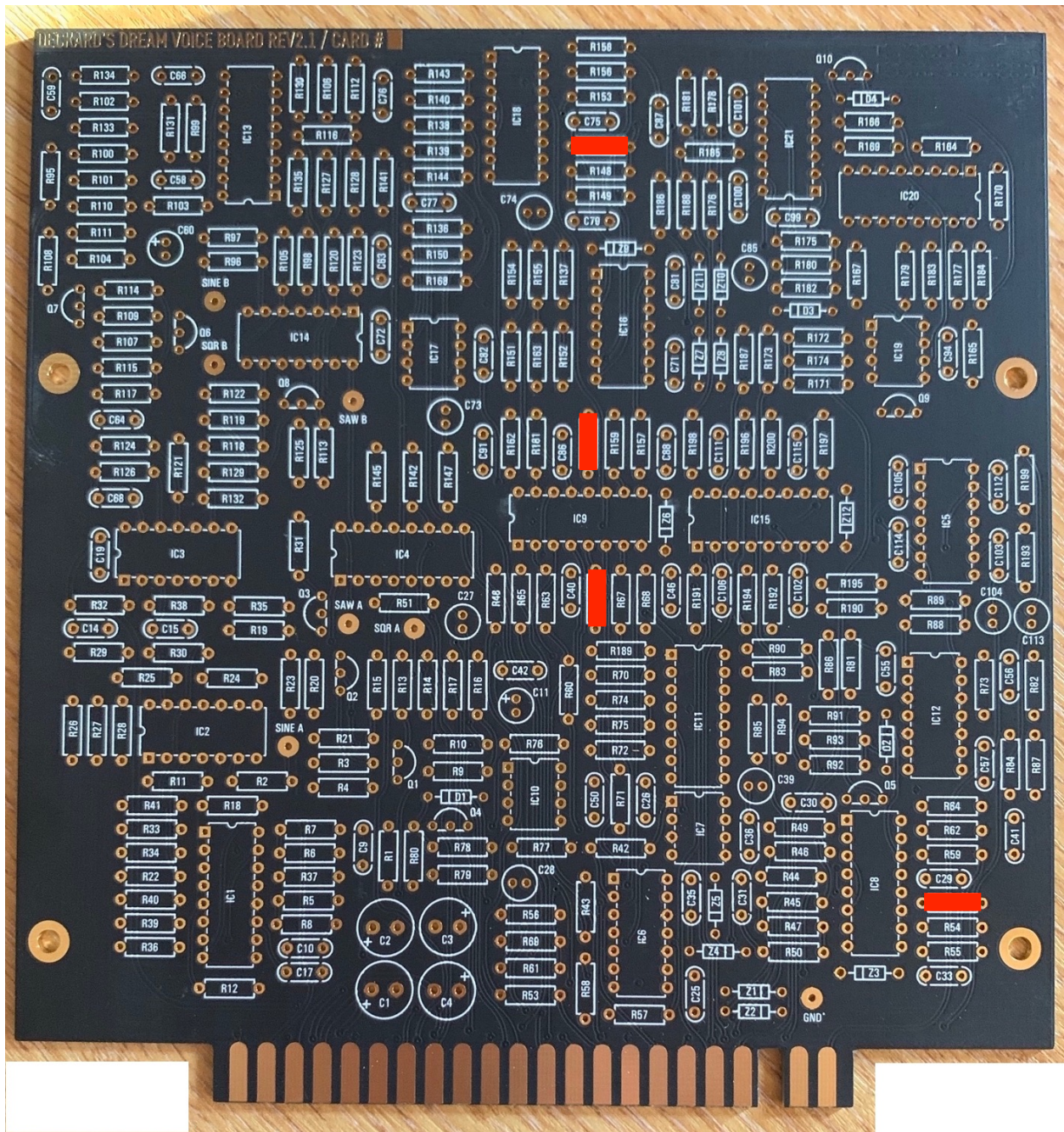




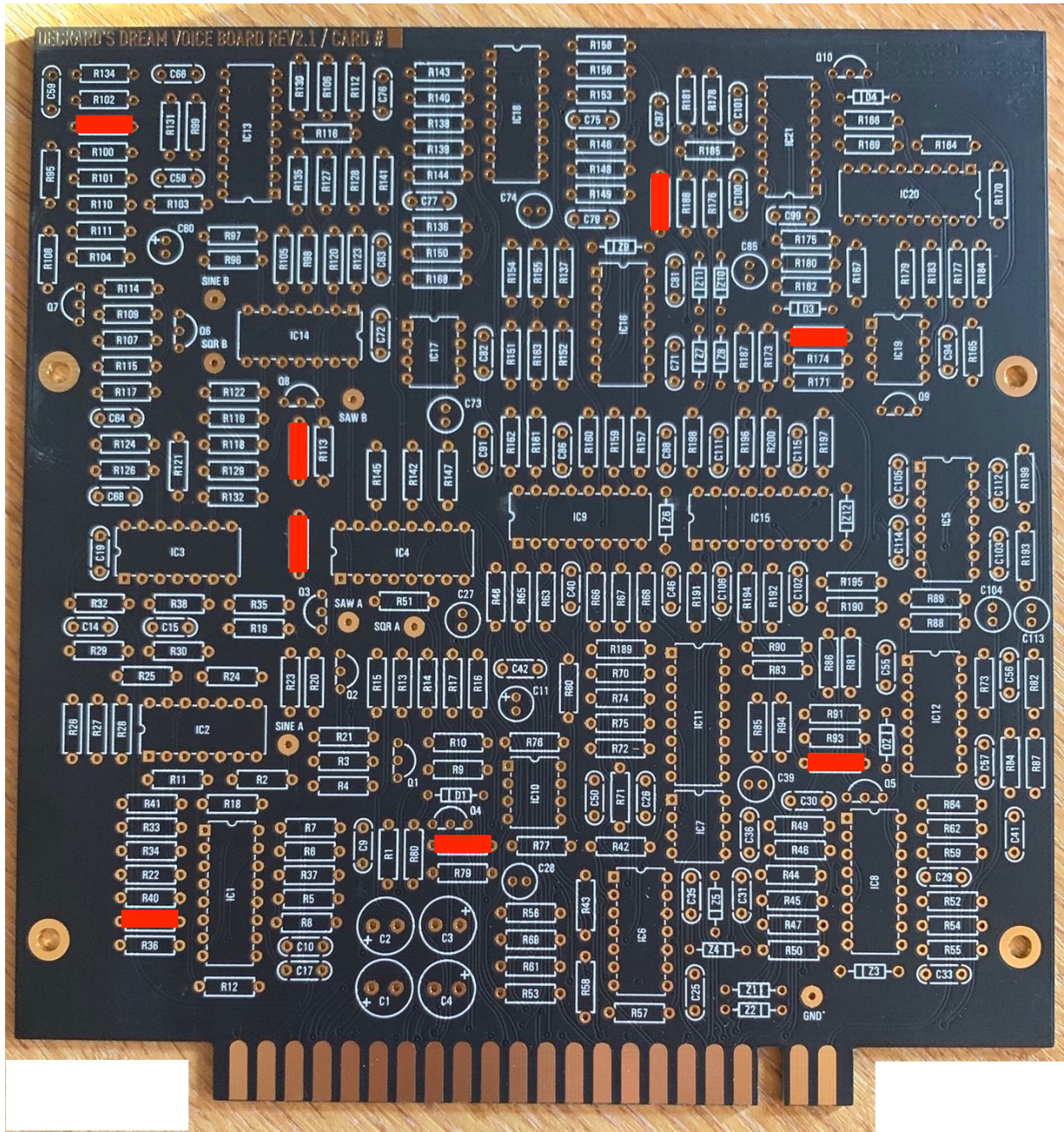
4M7



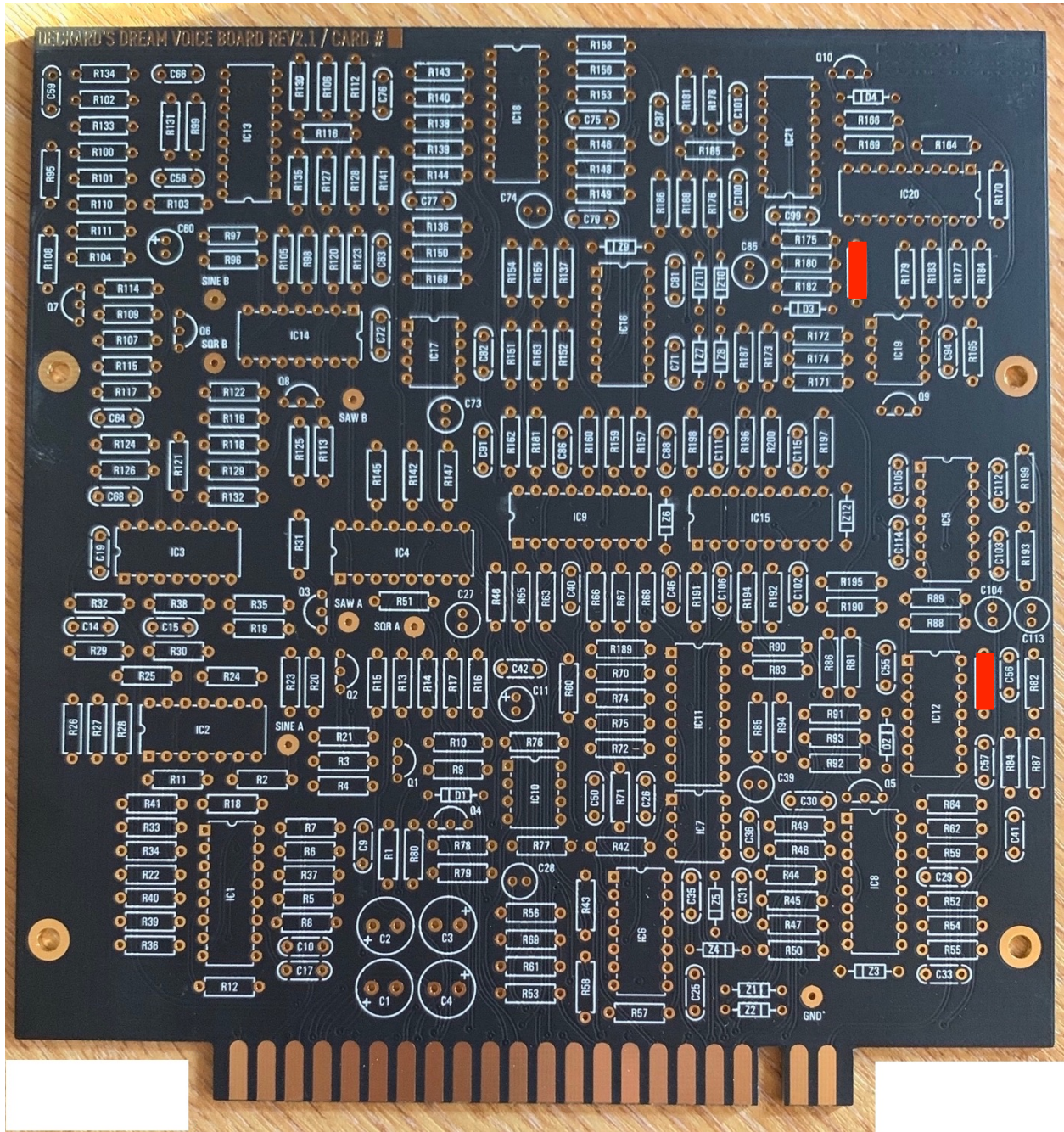
1M5



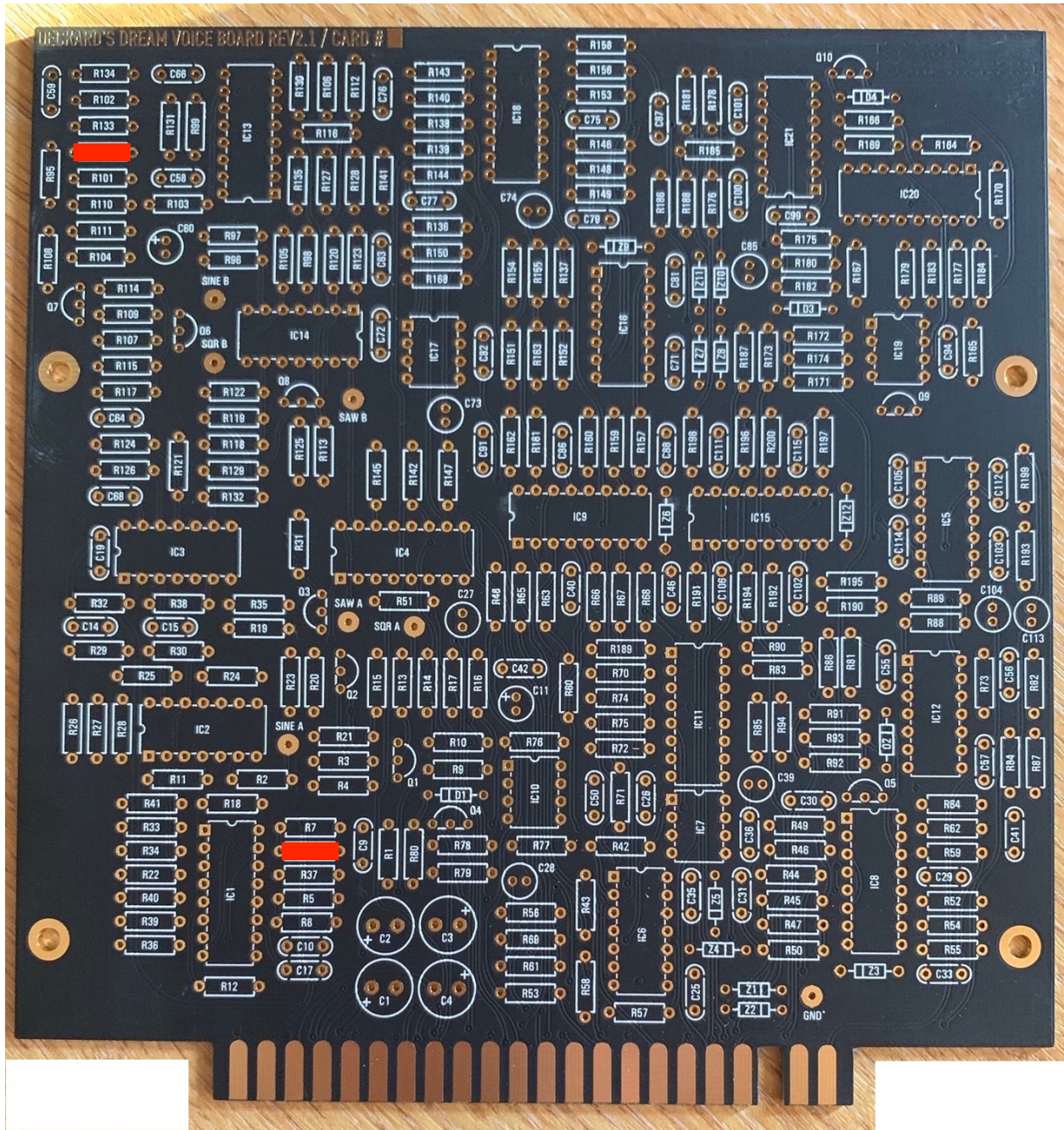
1M2



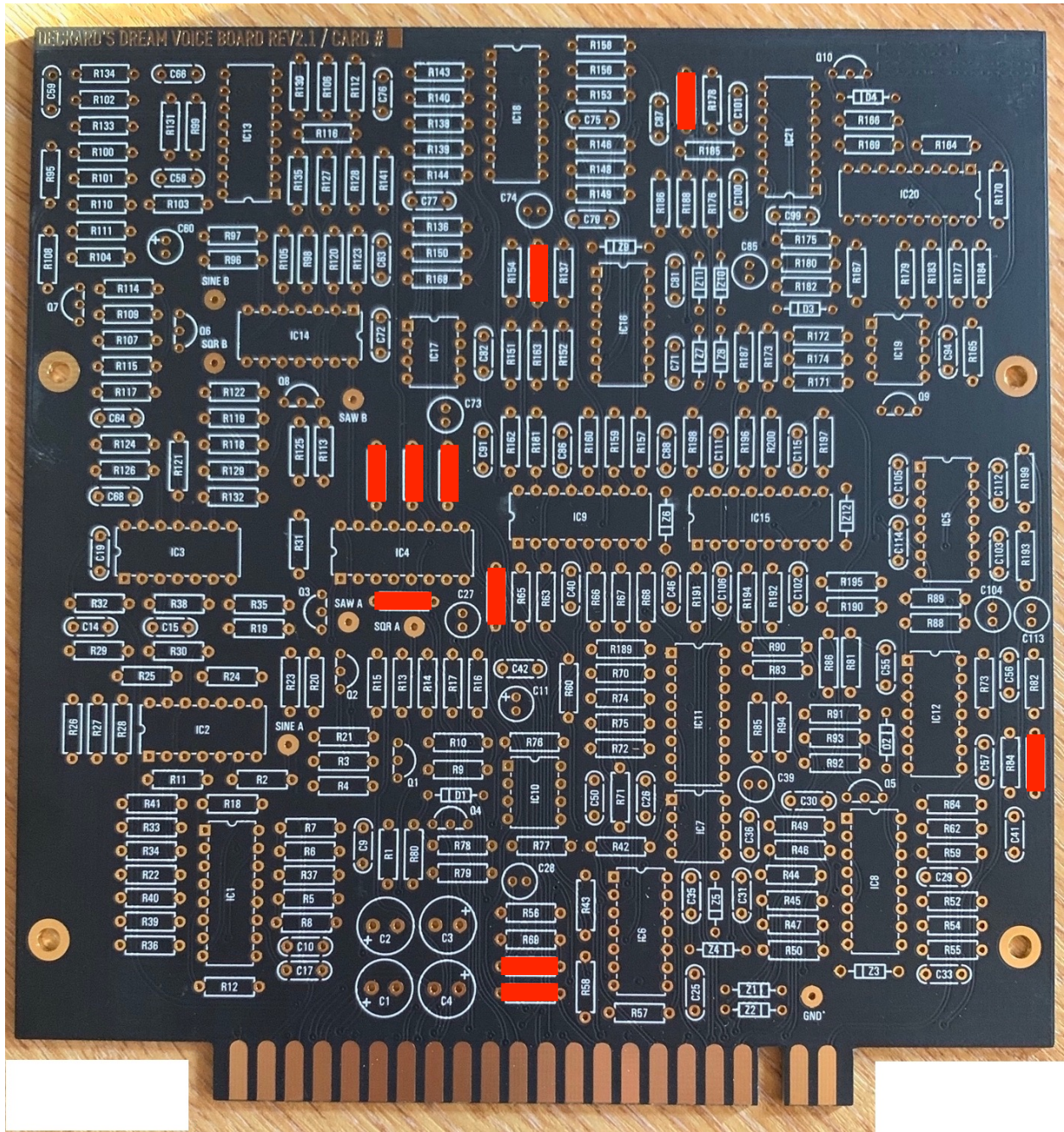
1M



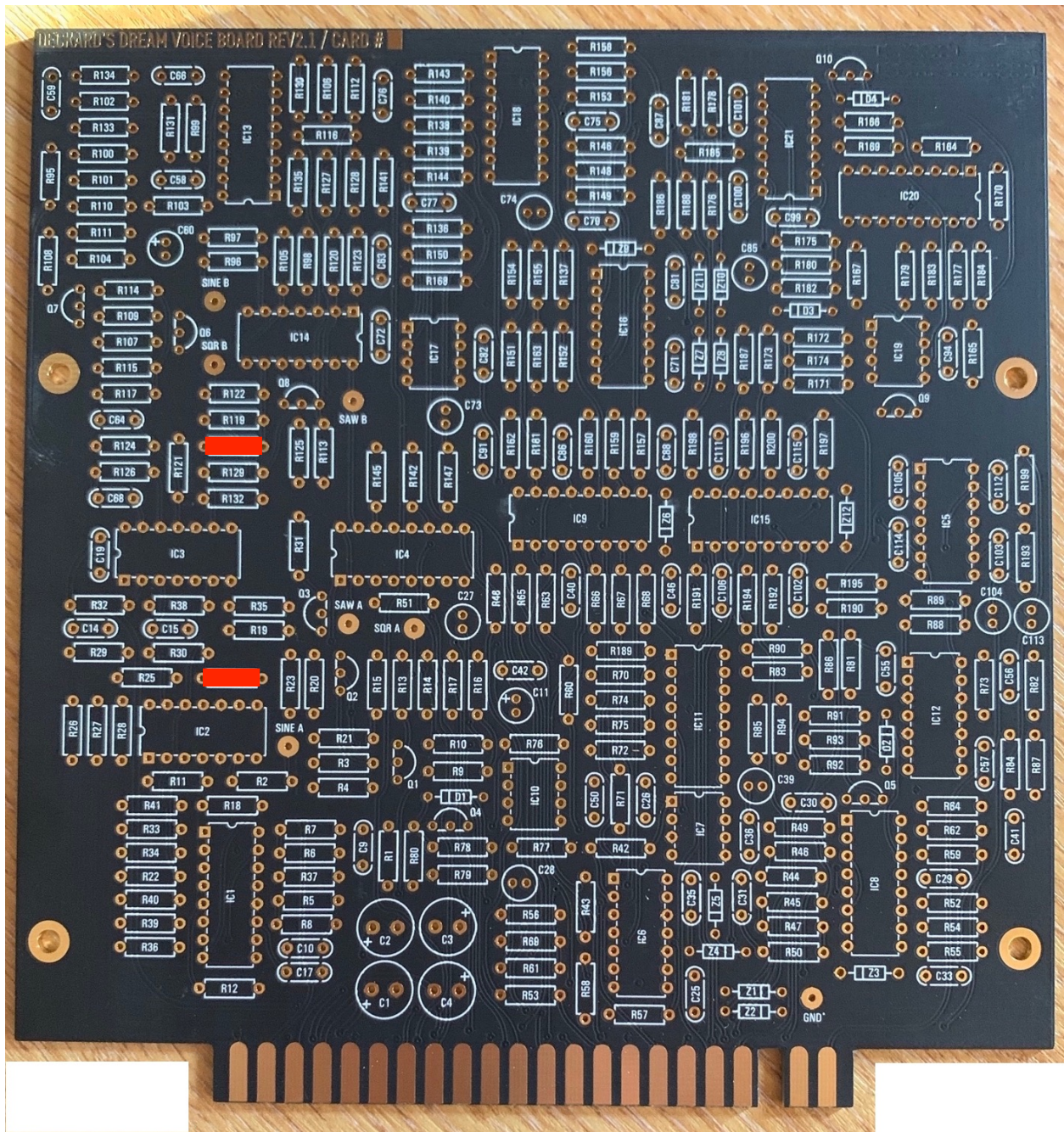
442K



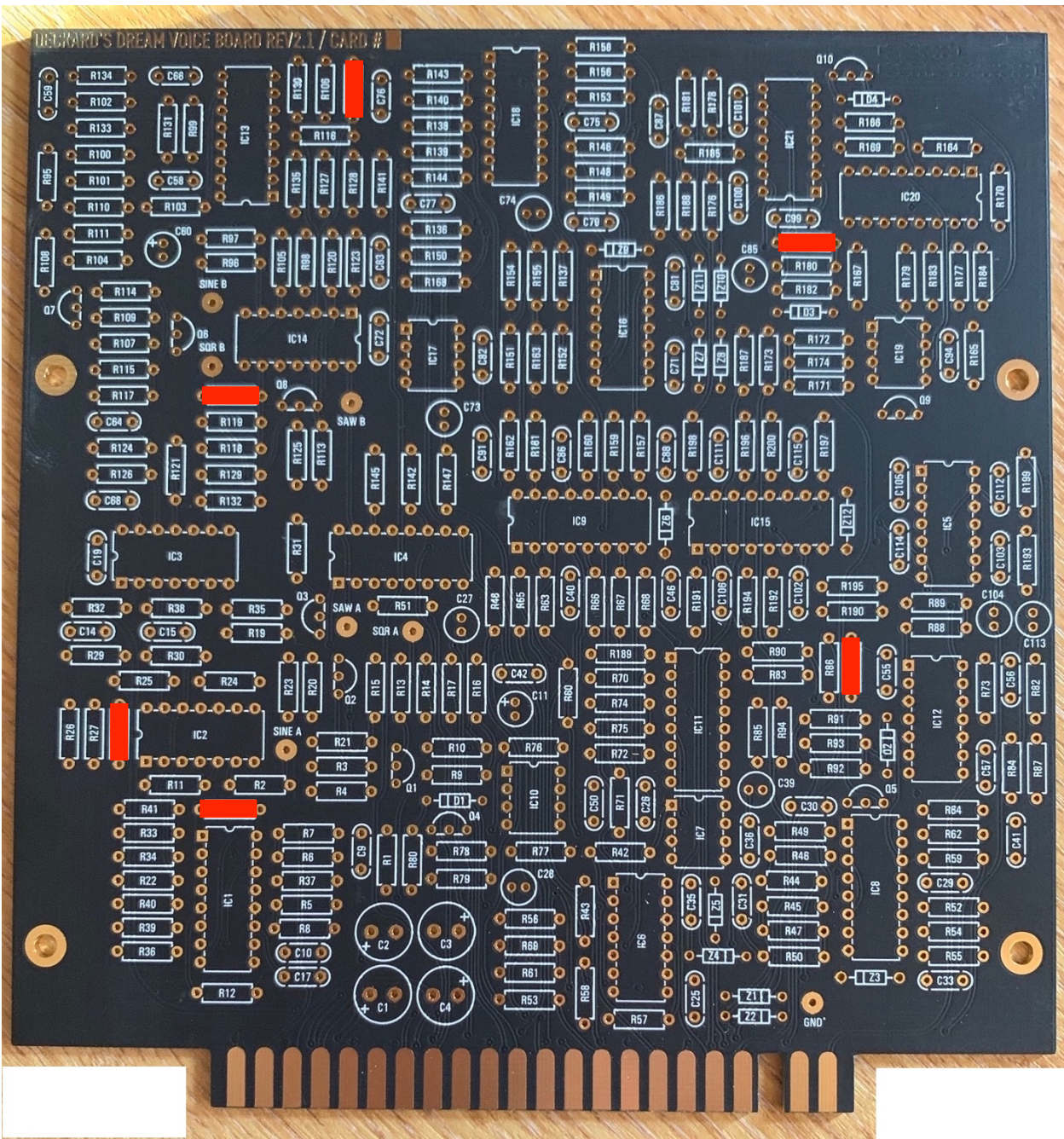
300K



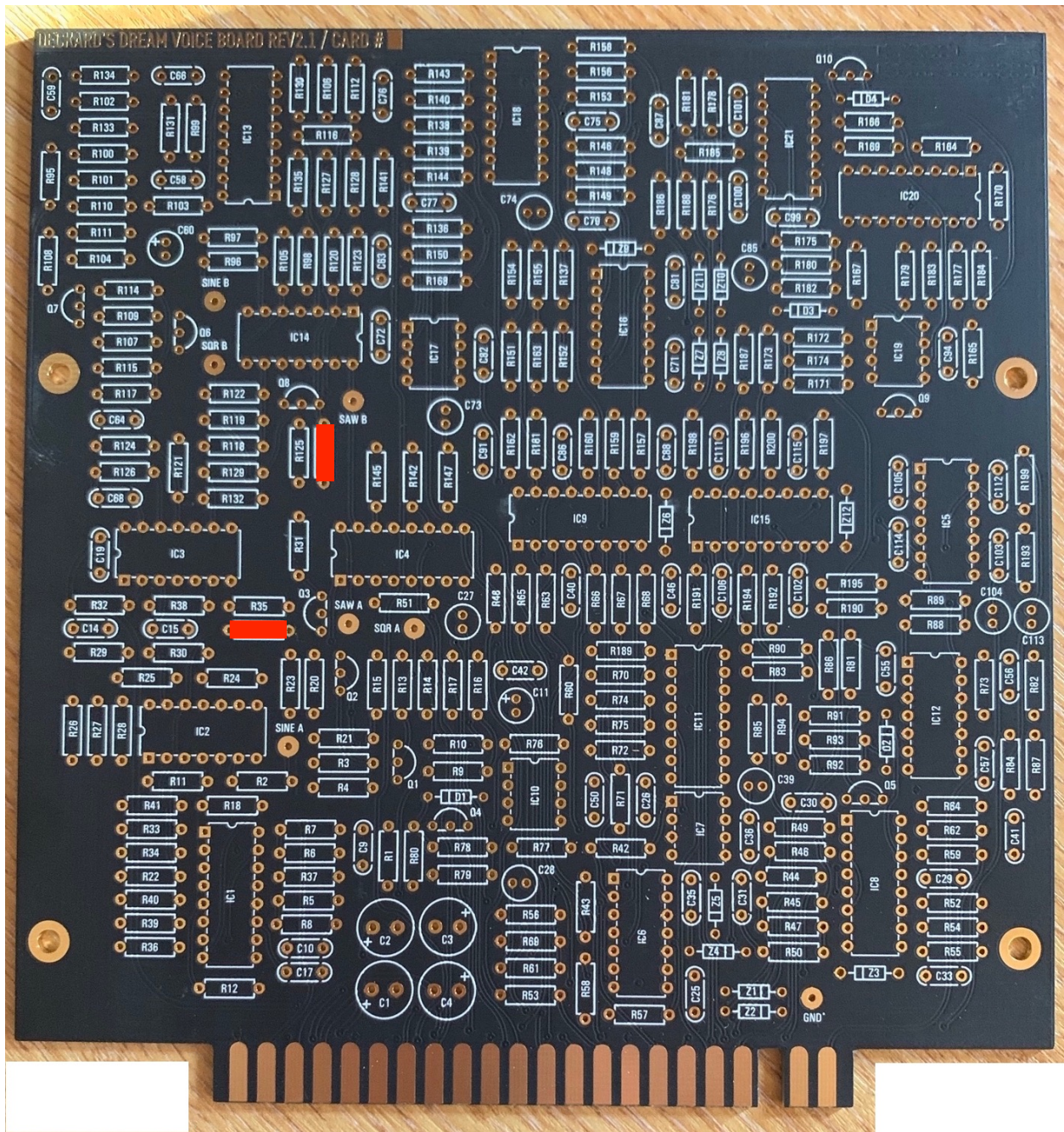
150K



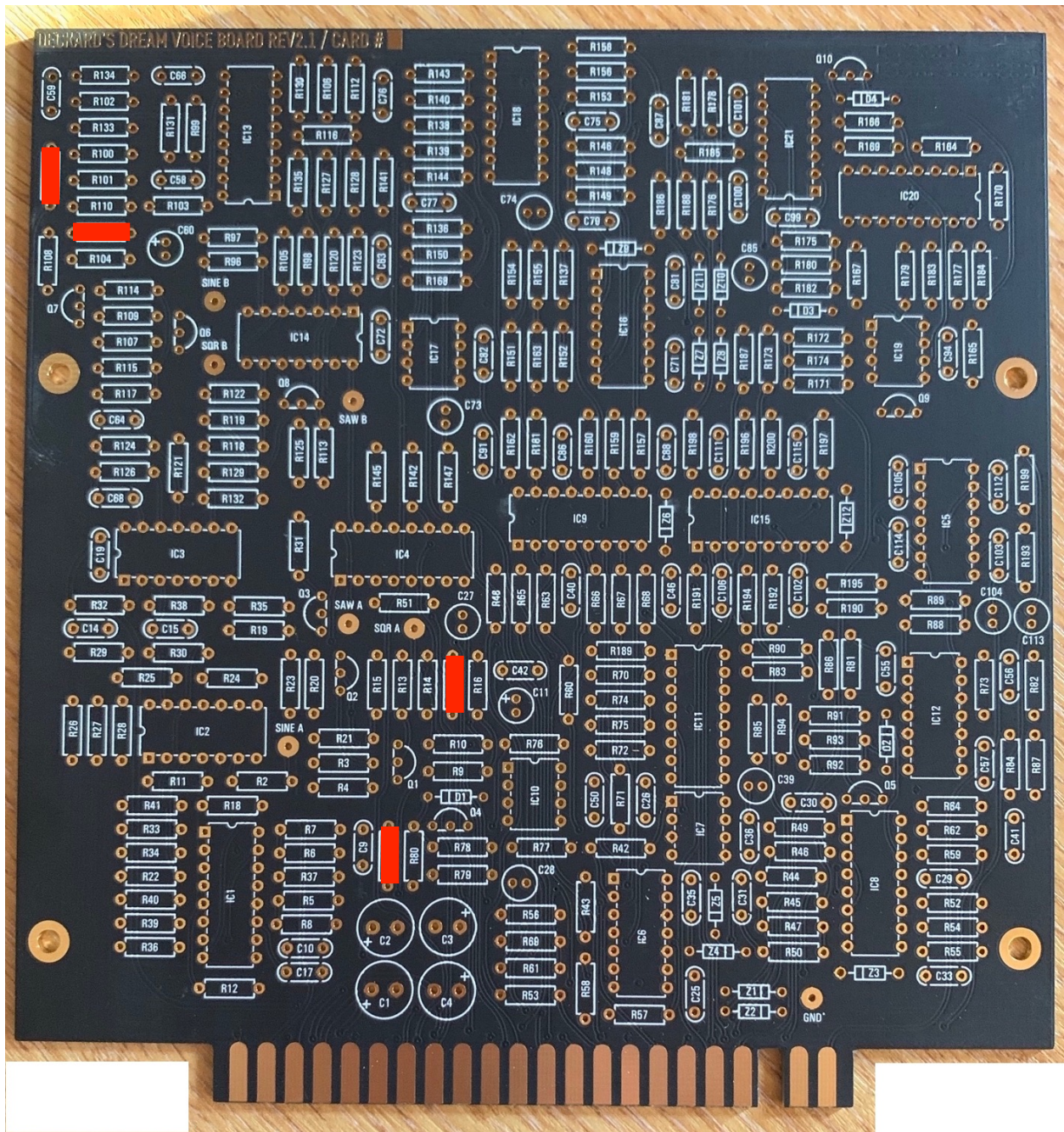
107K



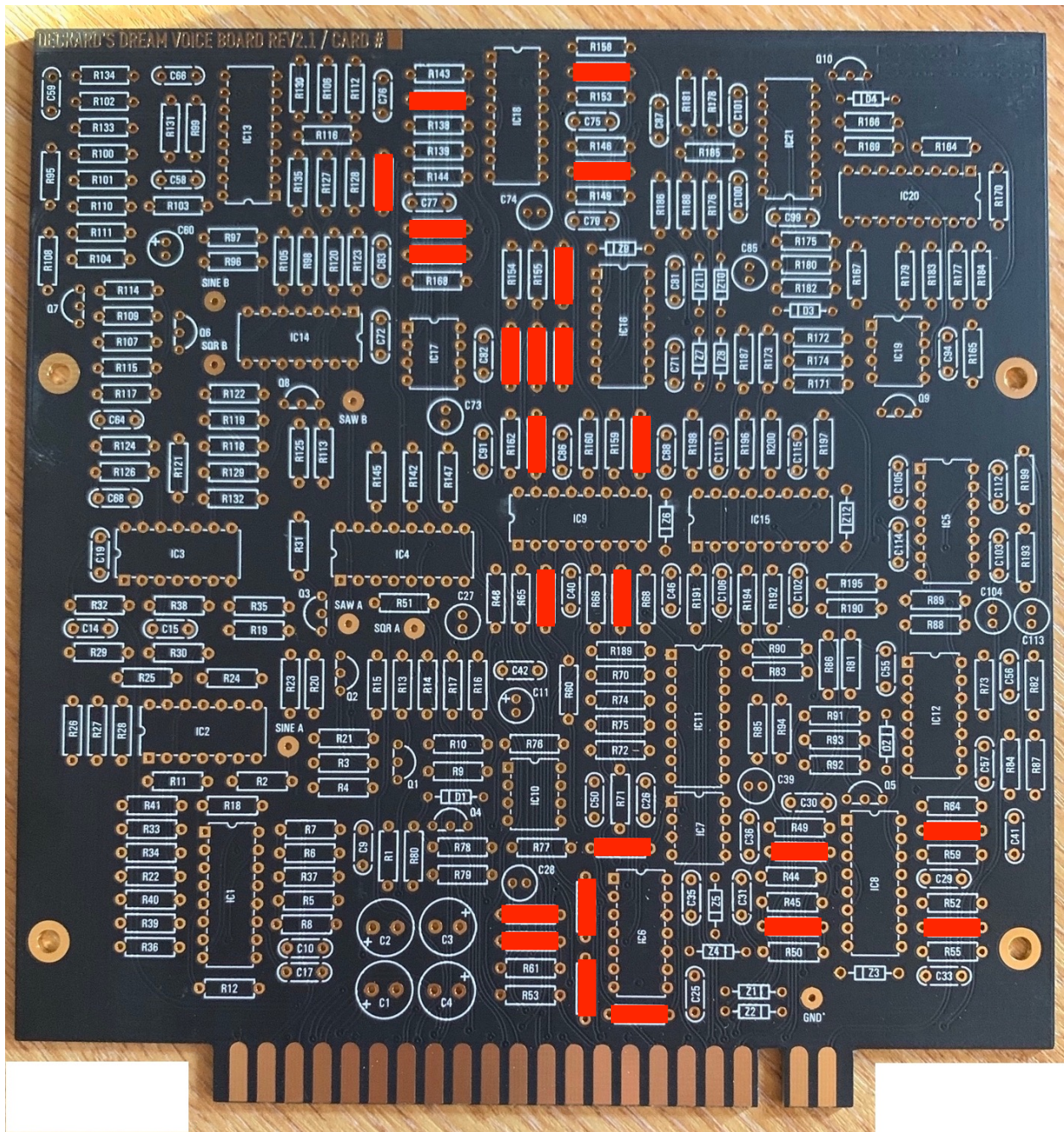
100K



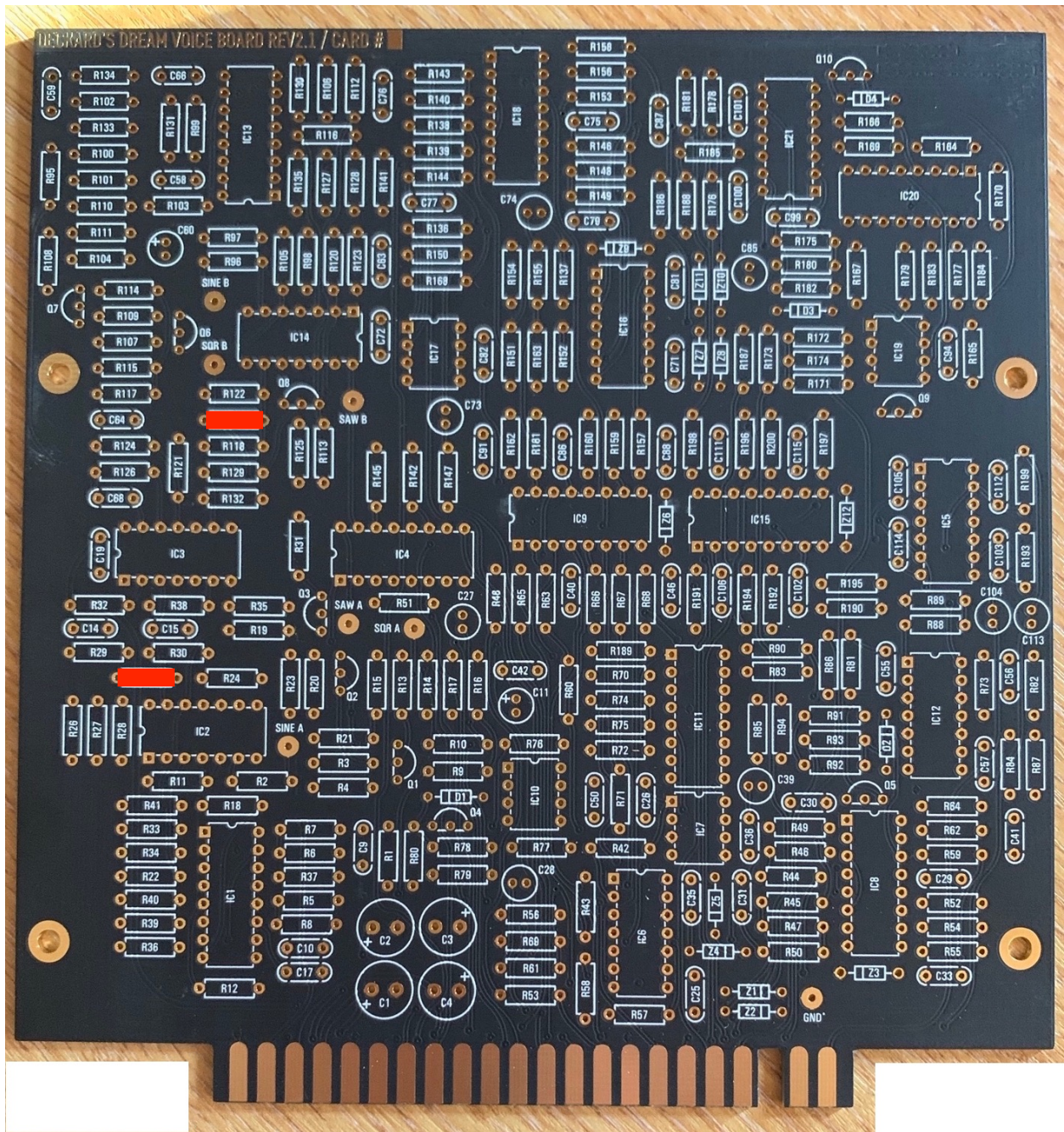
73K2



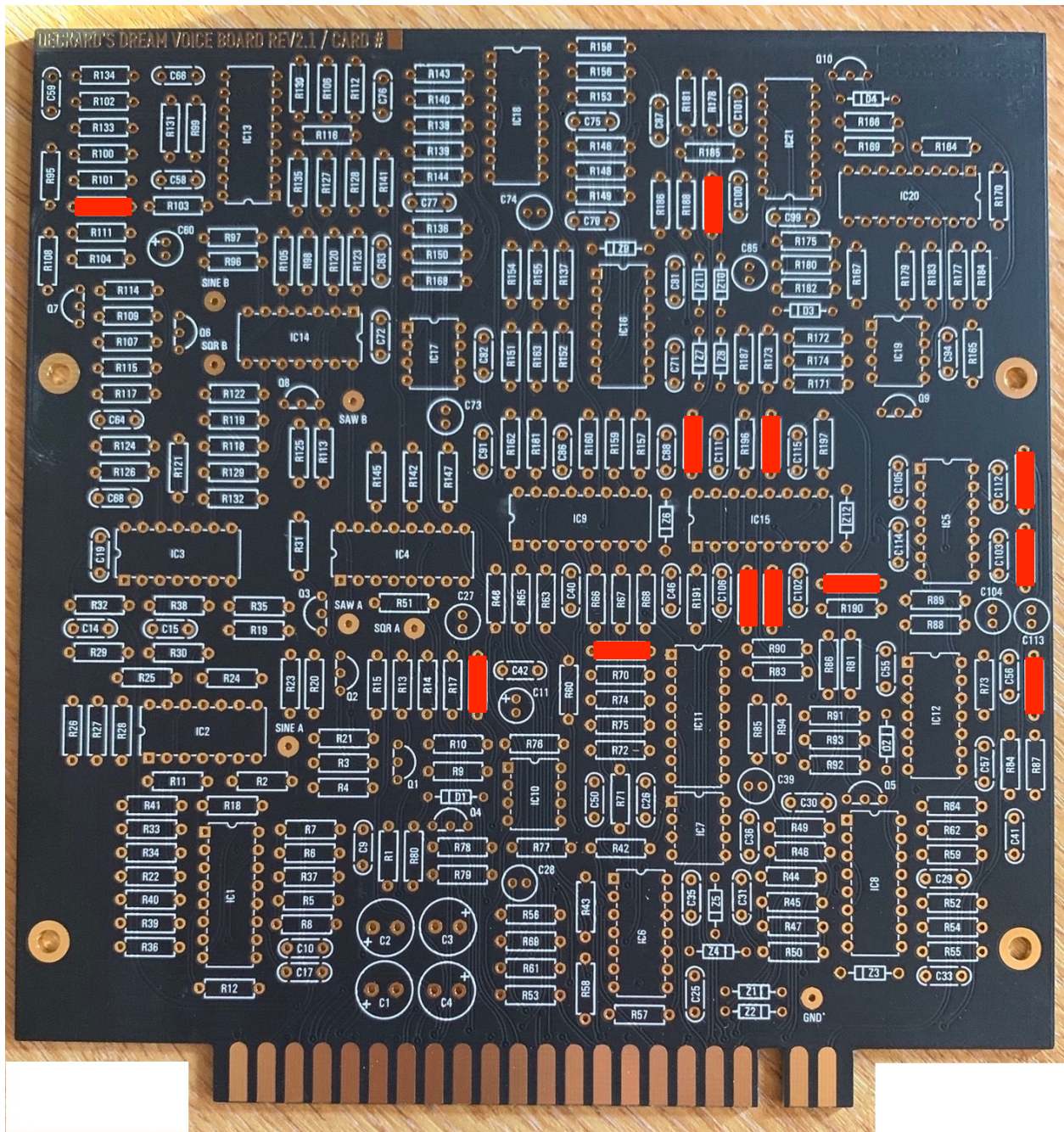
47K



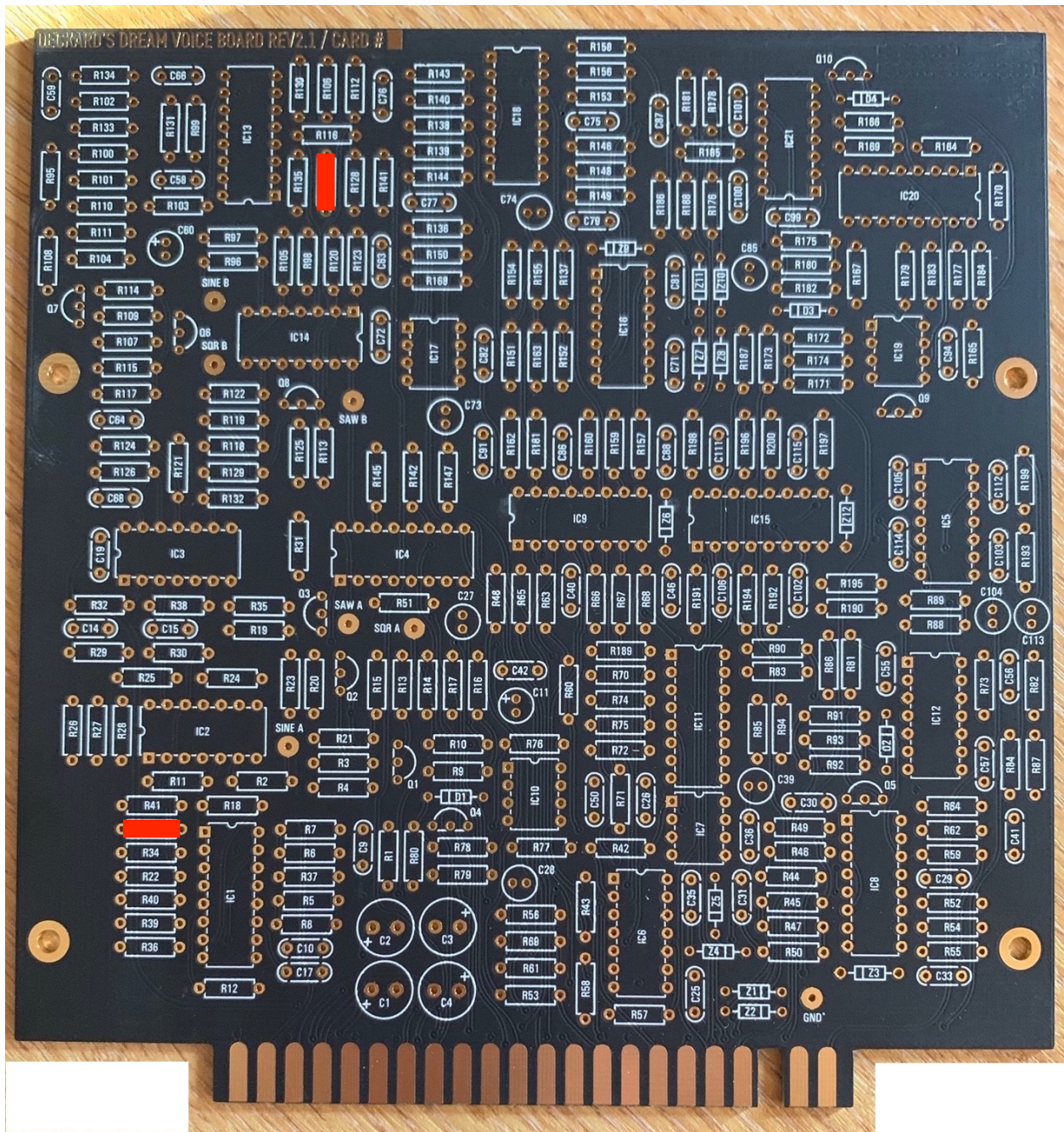
33K



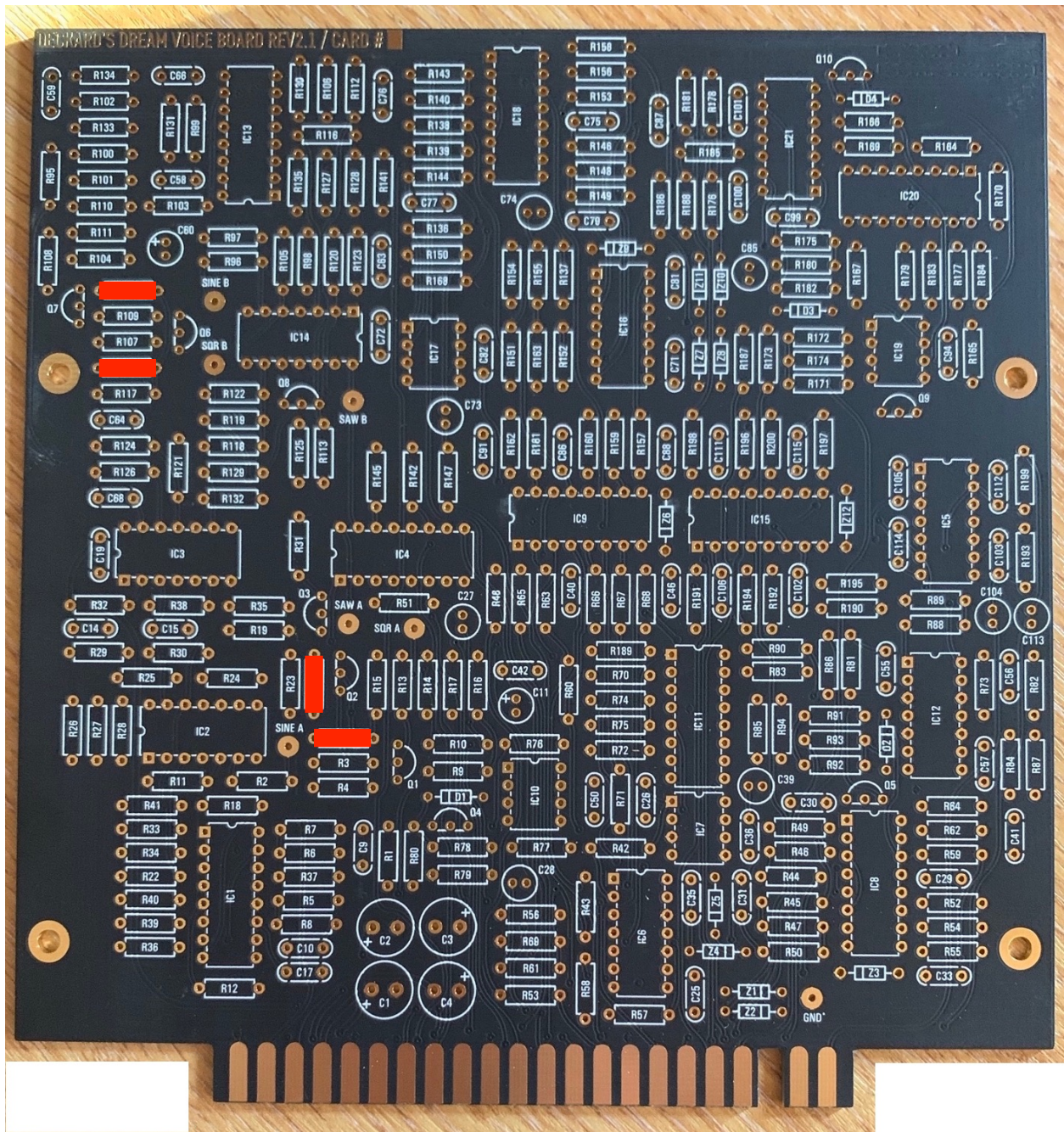
31K6



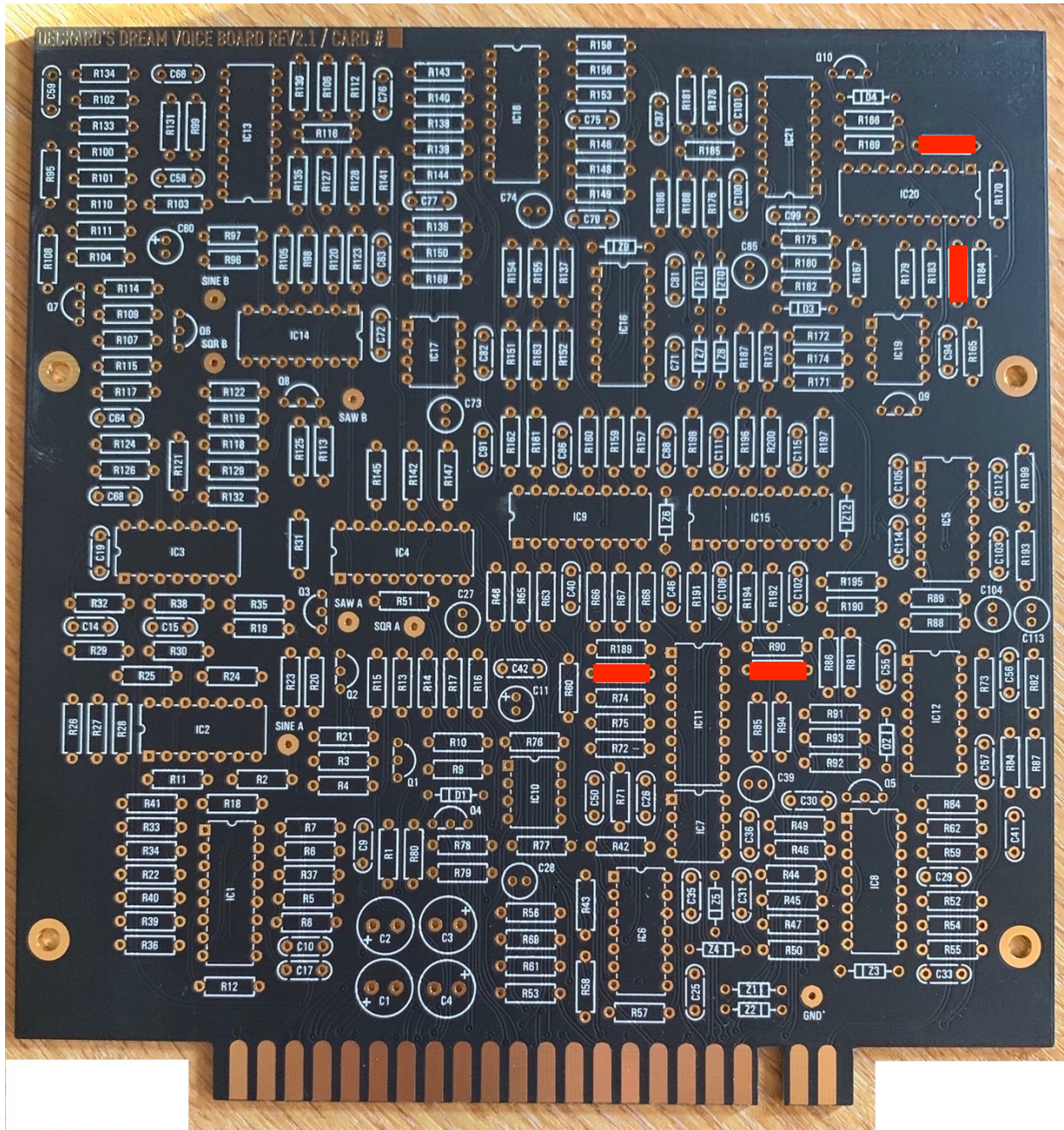
30K



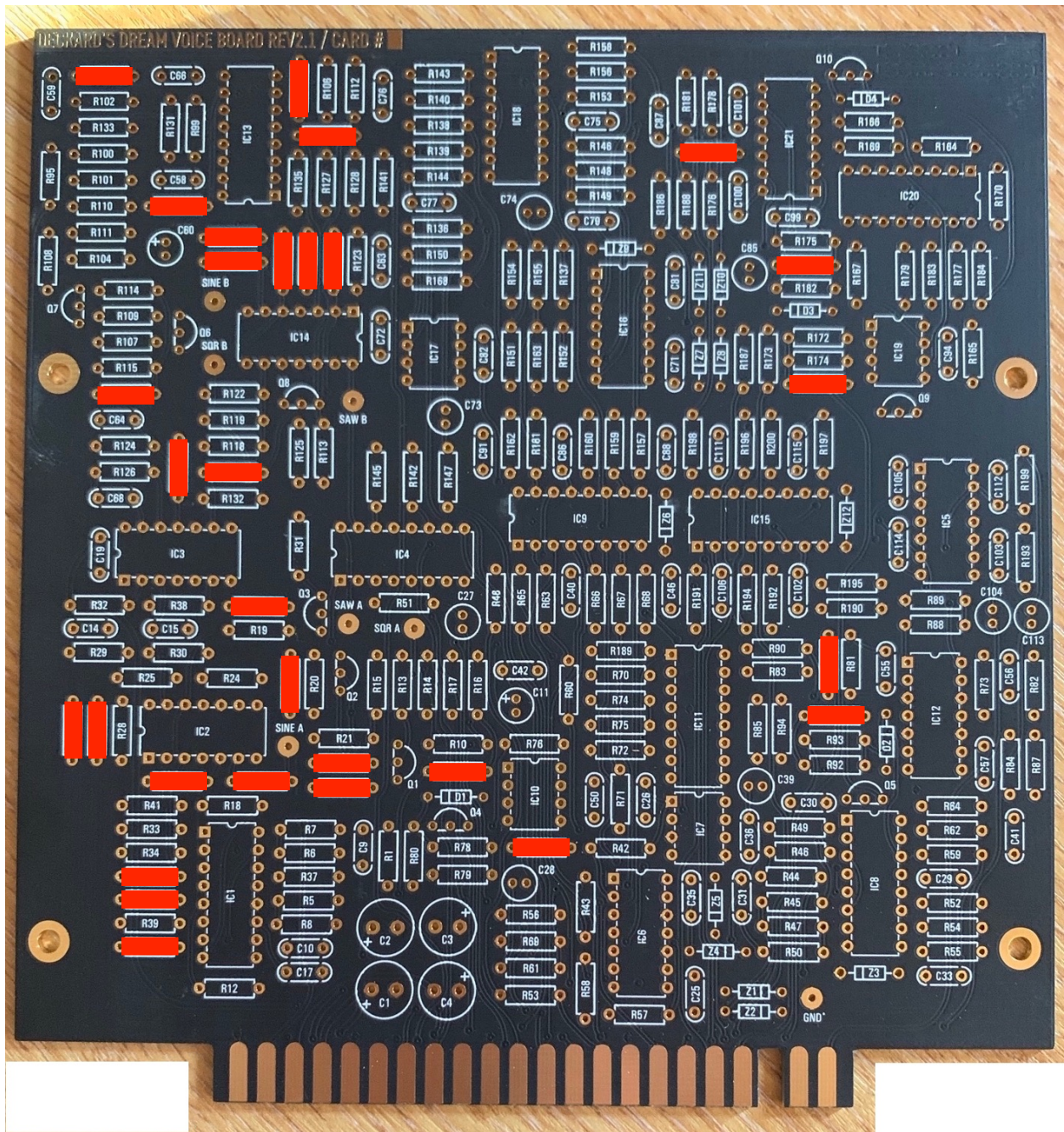
28K7



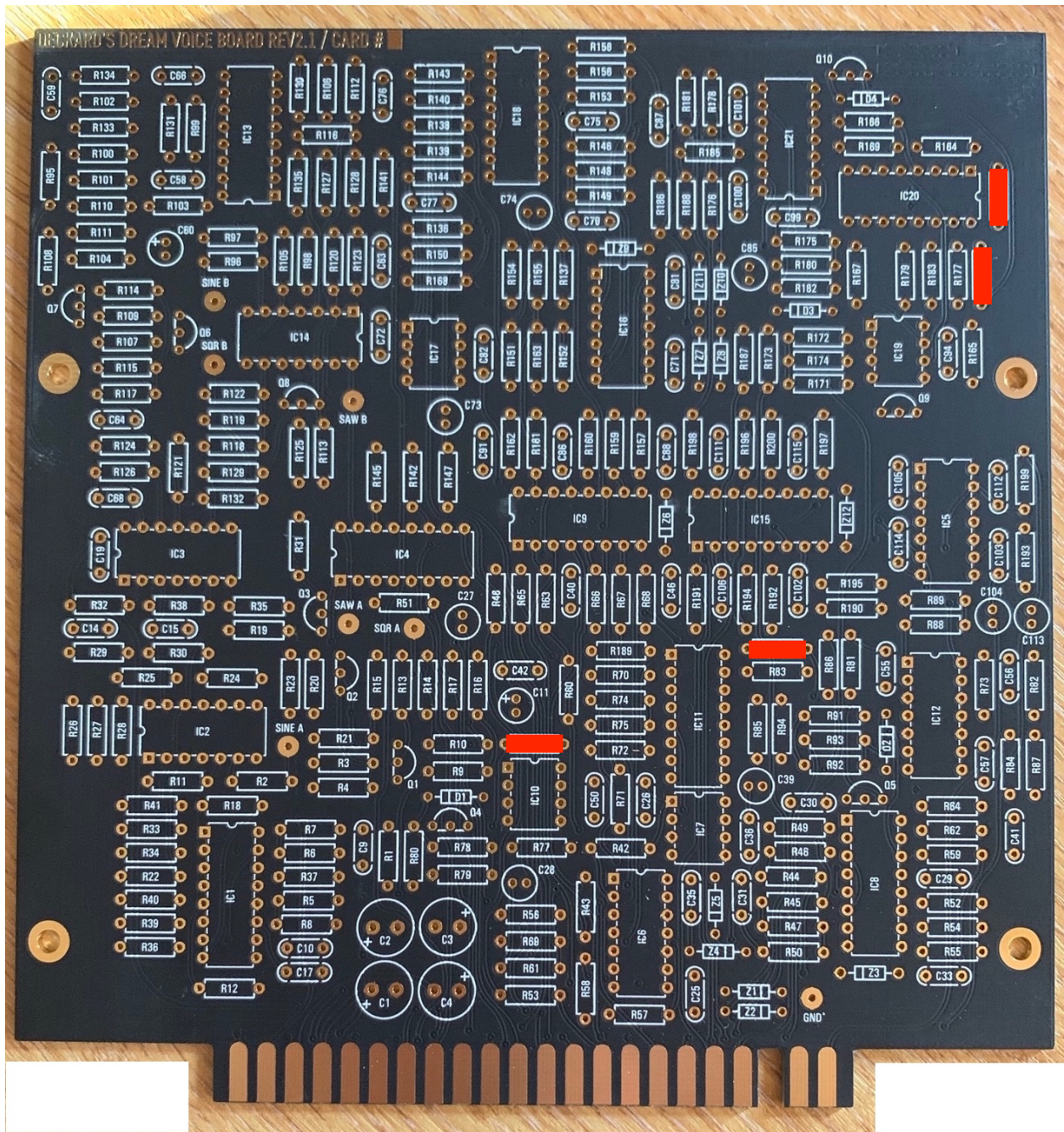
24K9



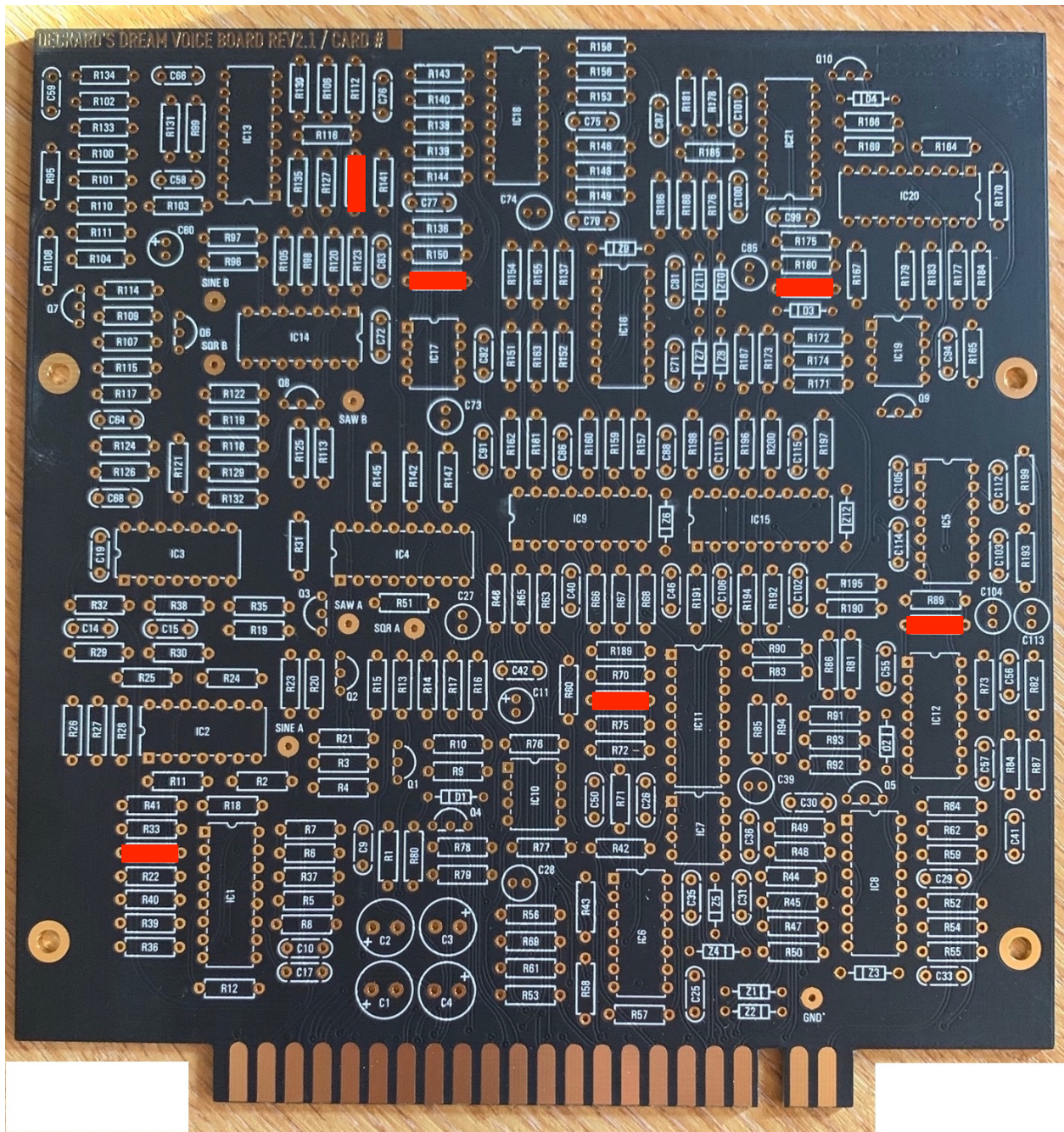
12K



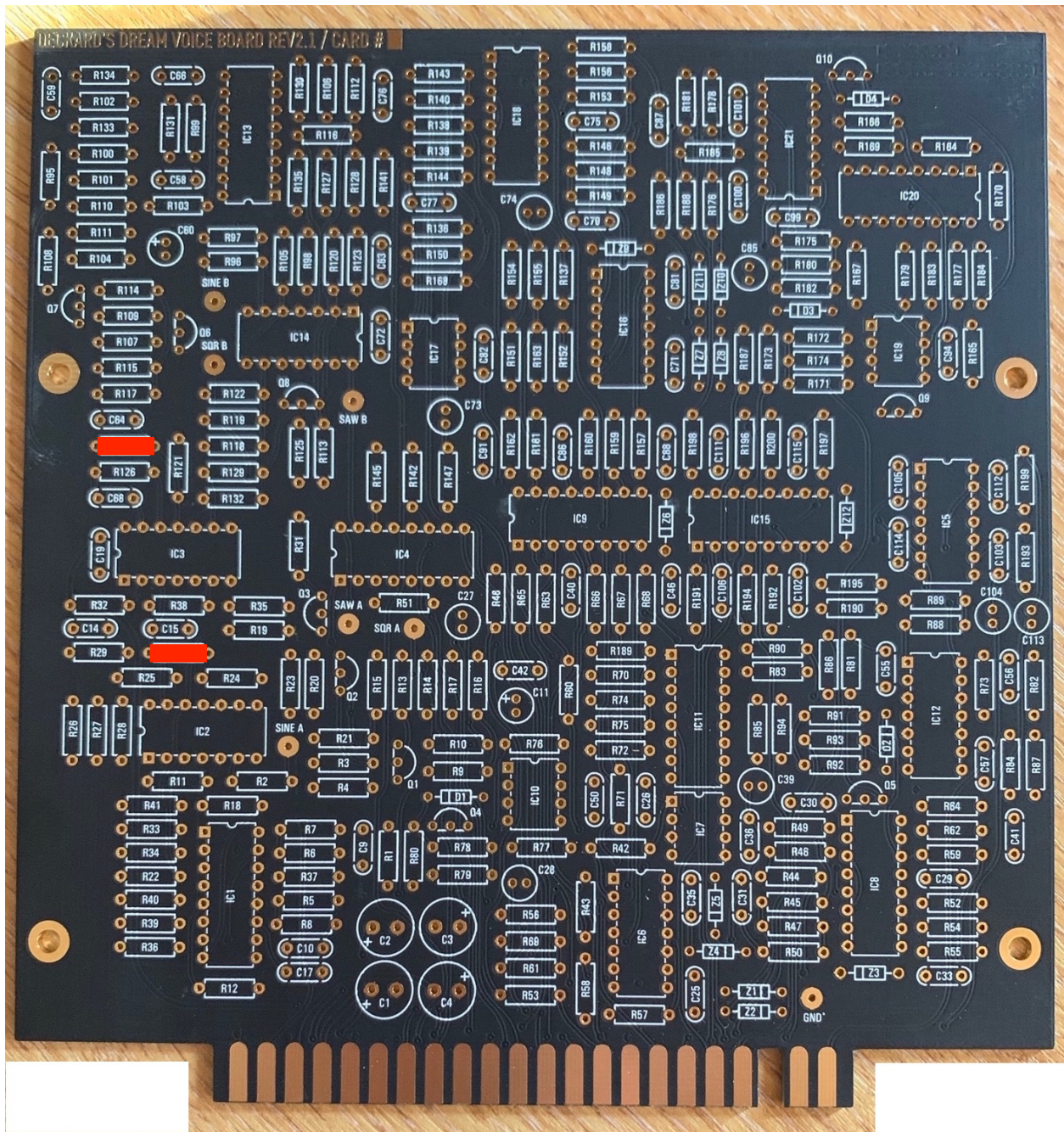
10K



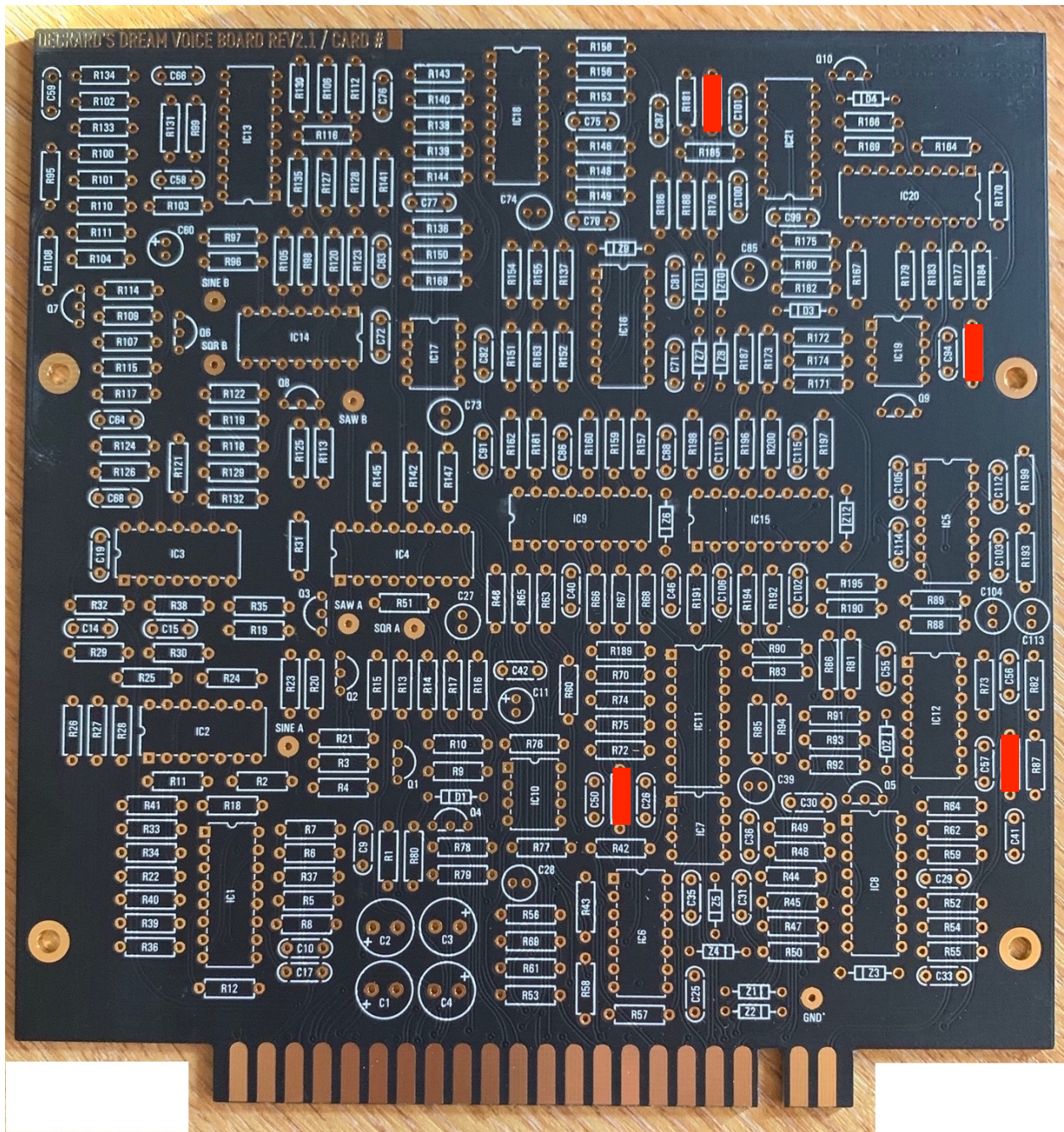
8K2



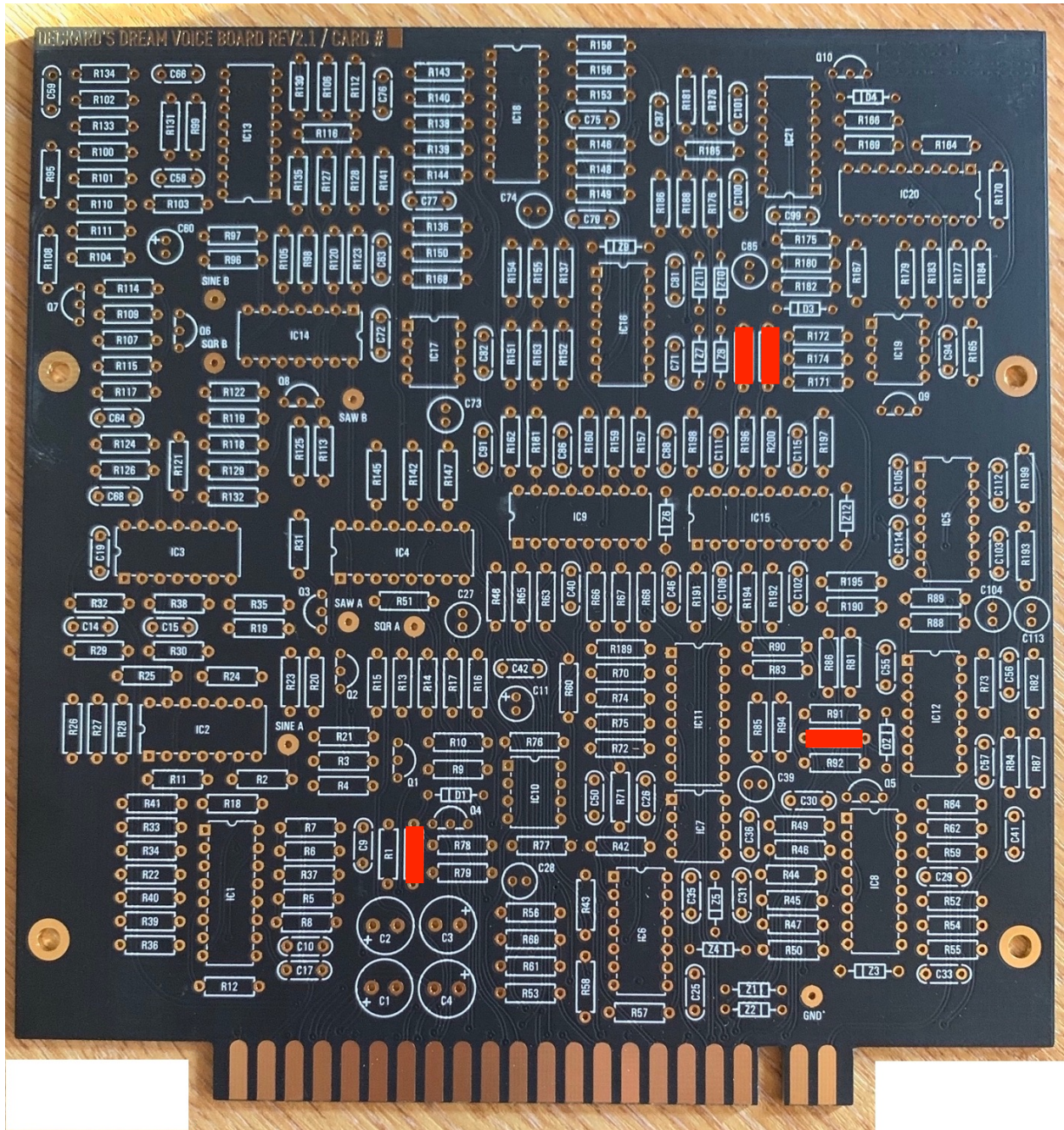
5K6



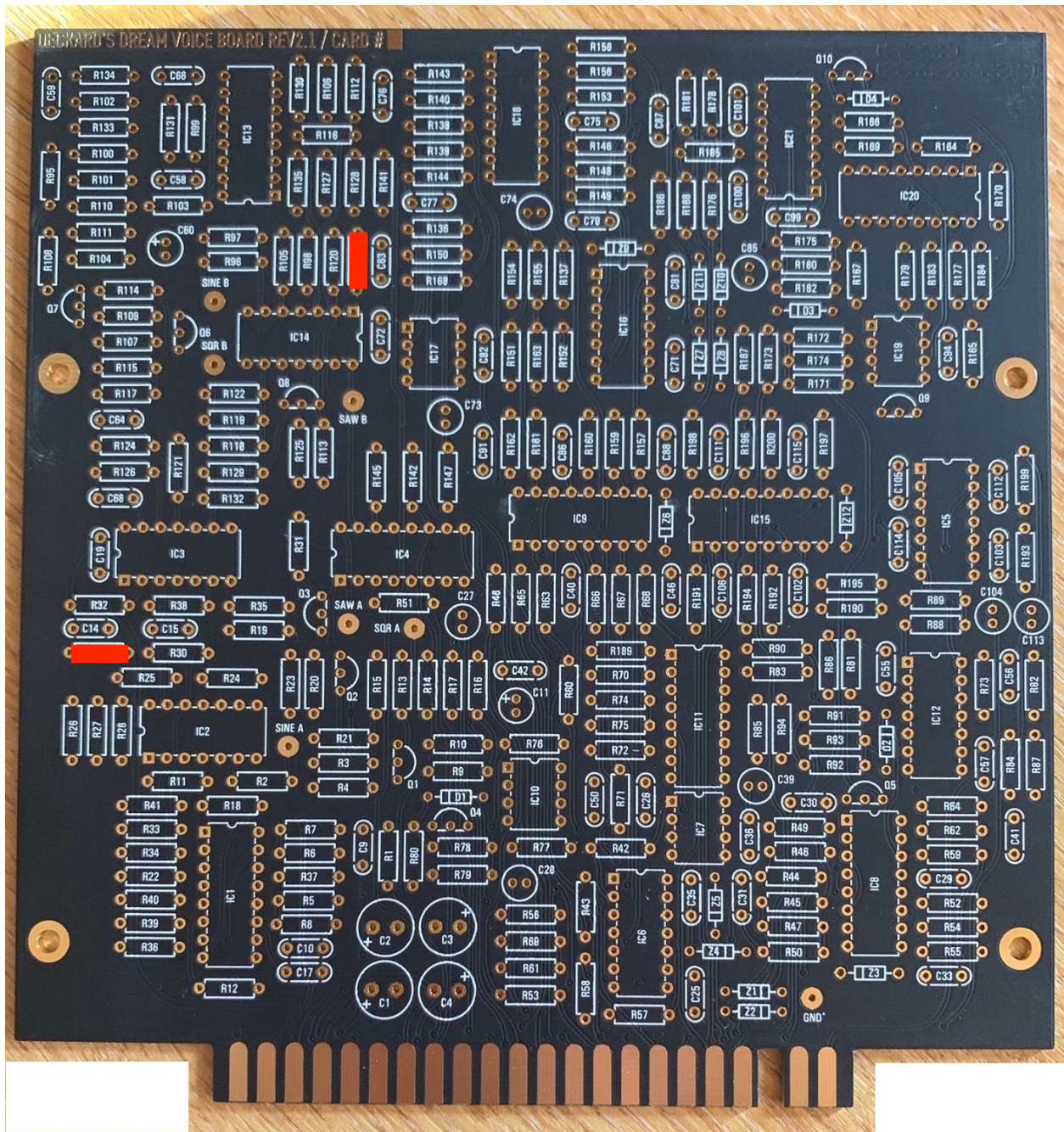
4K99



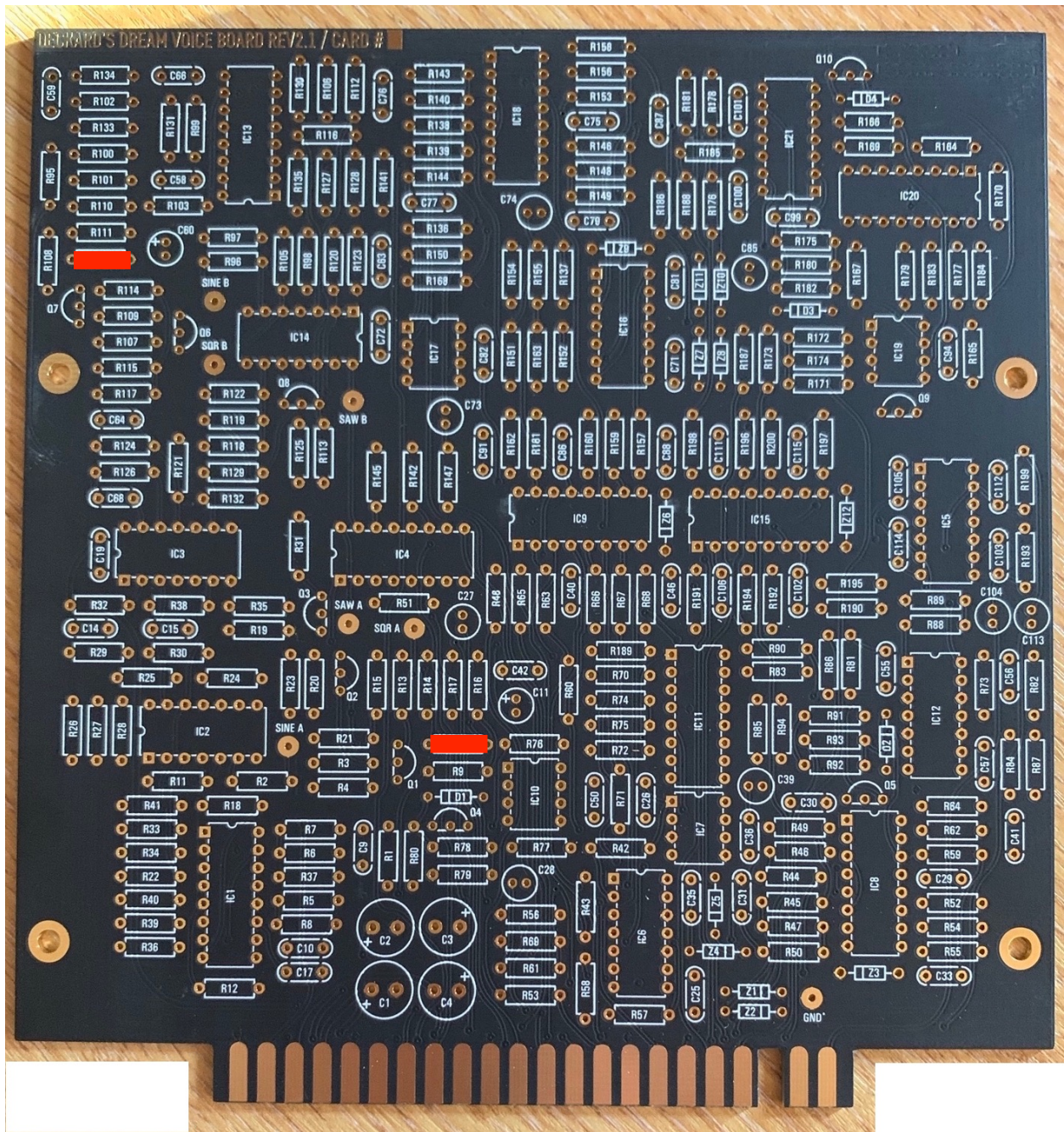
4K7



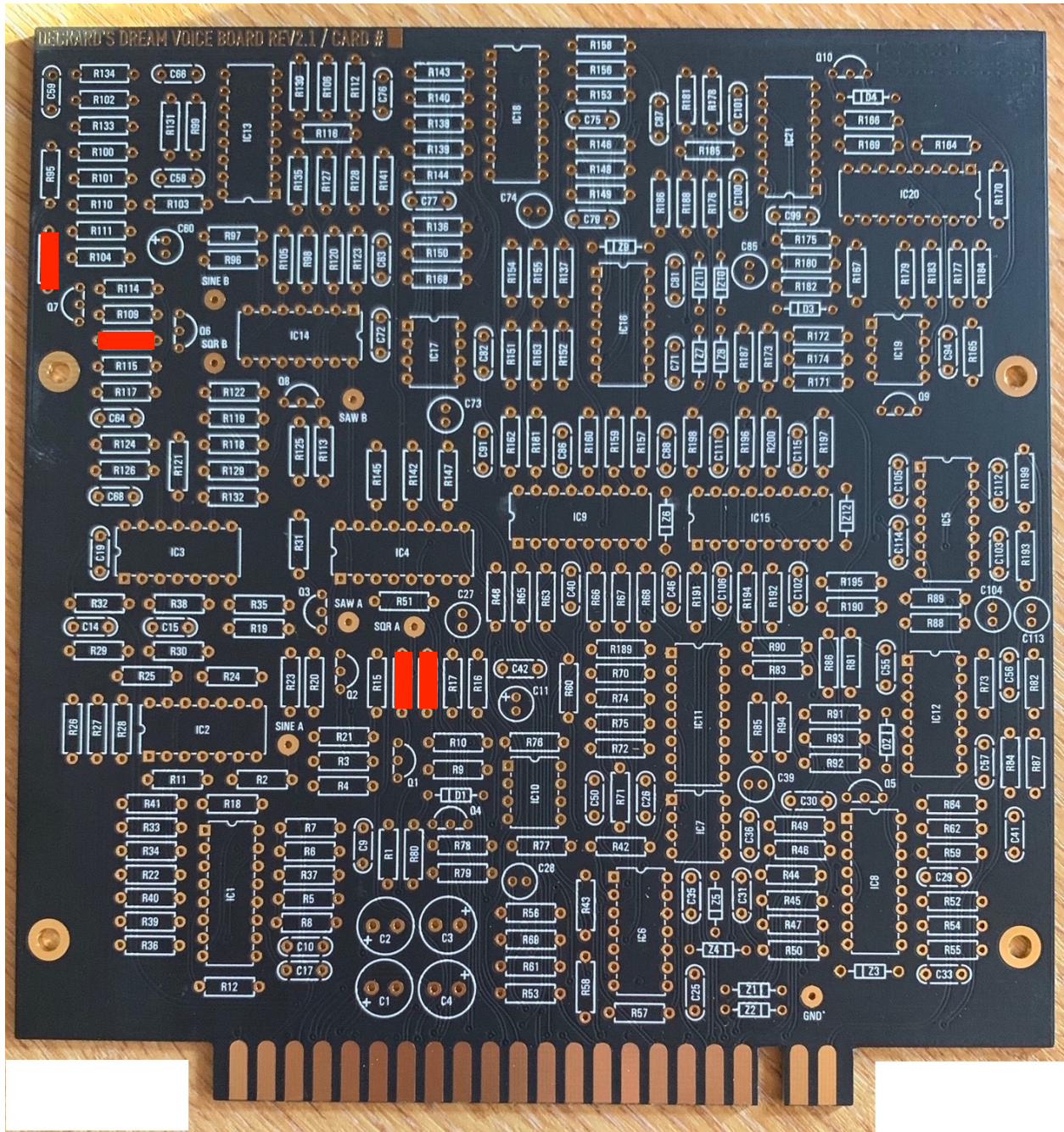
3K92



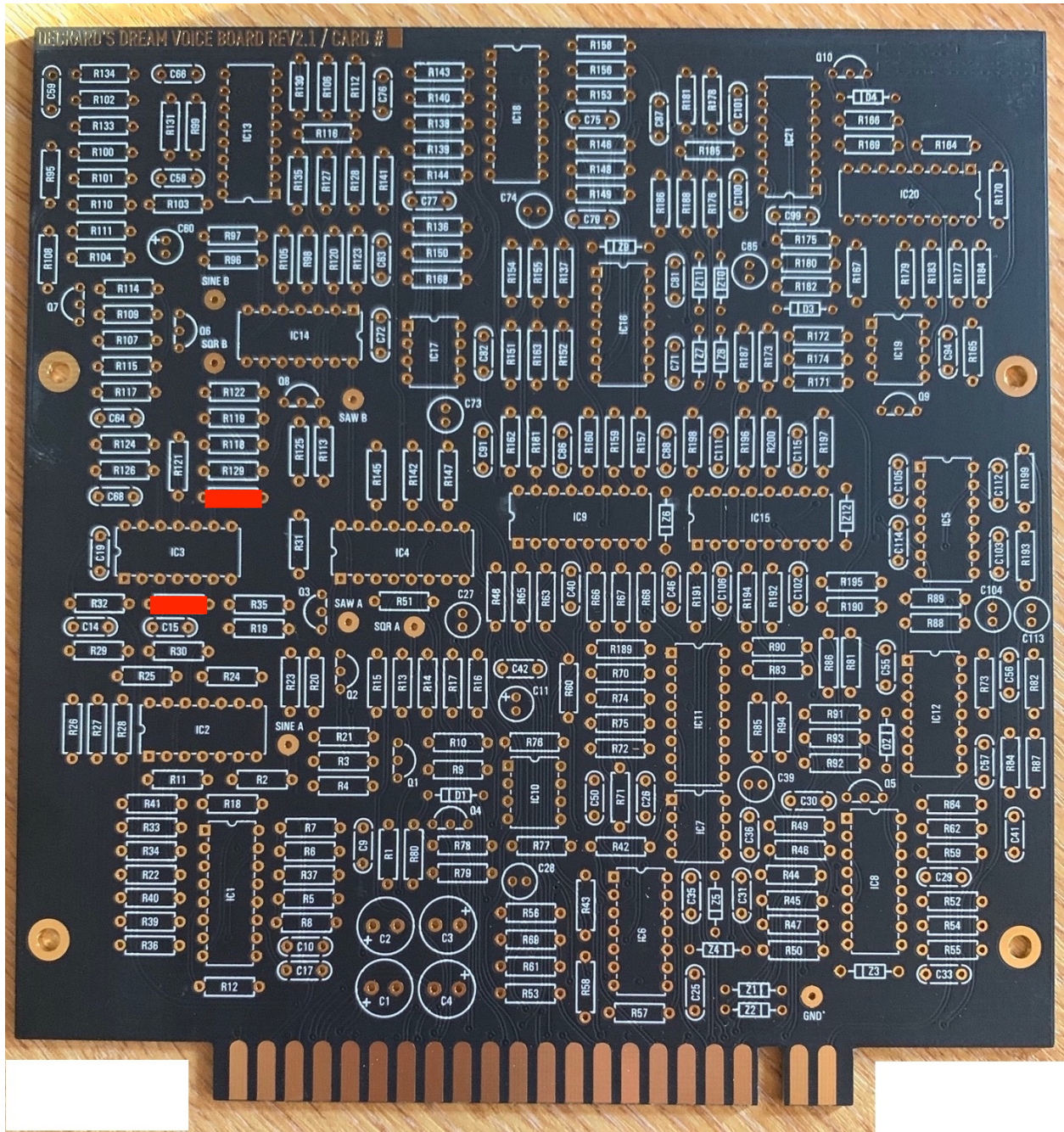
3K6



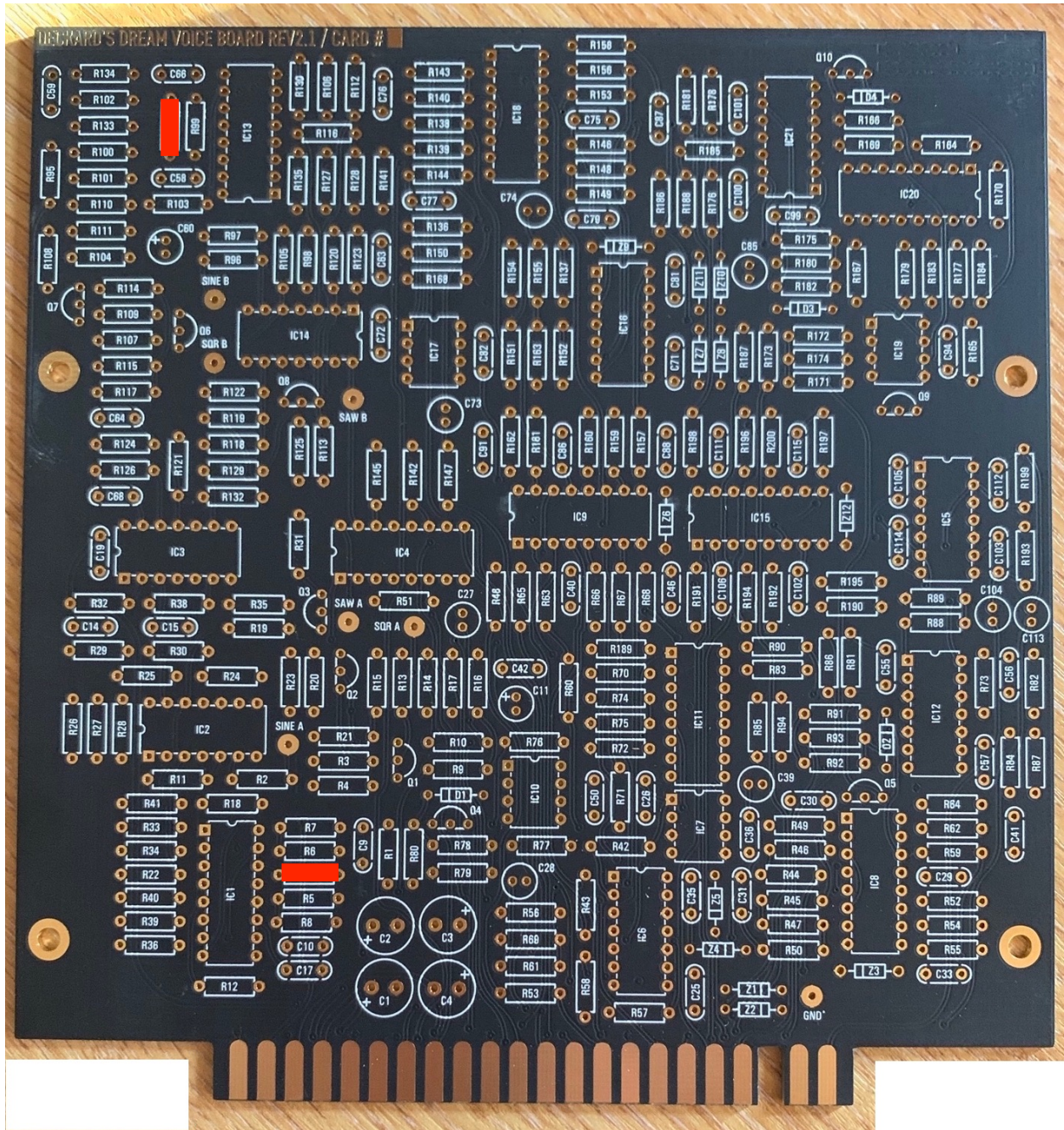
2K49



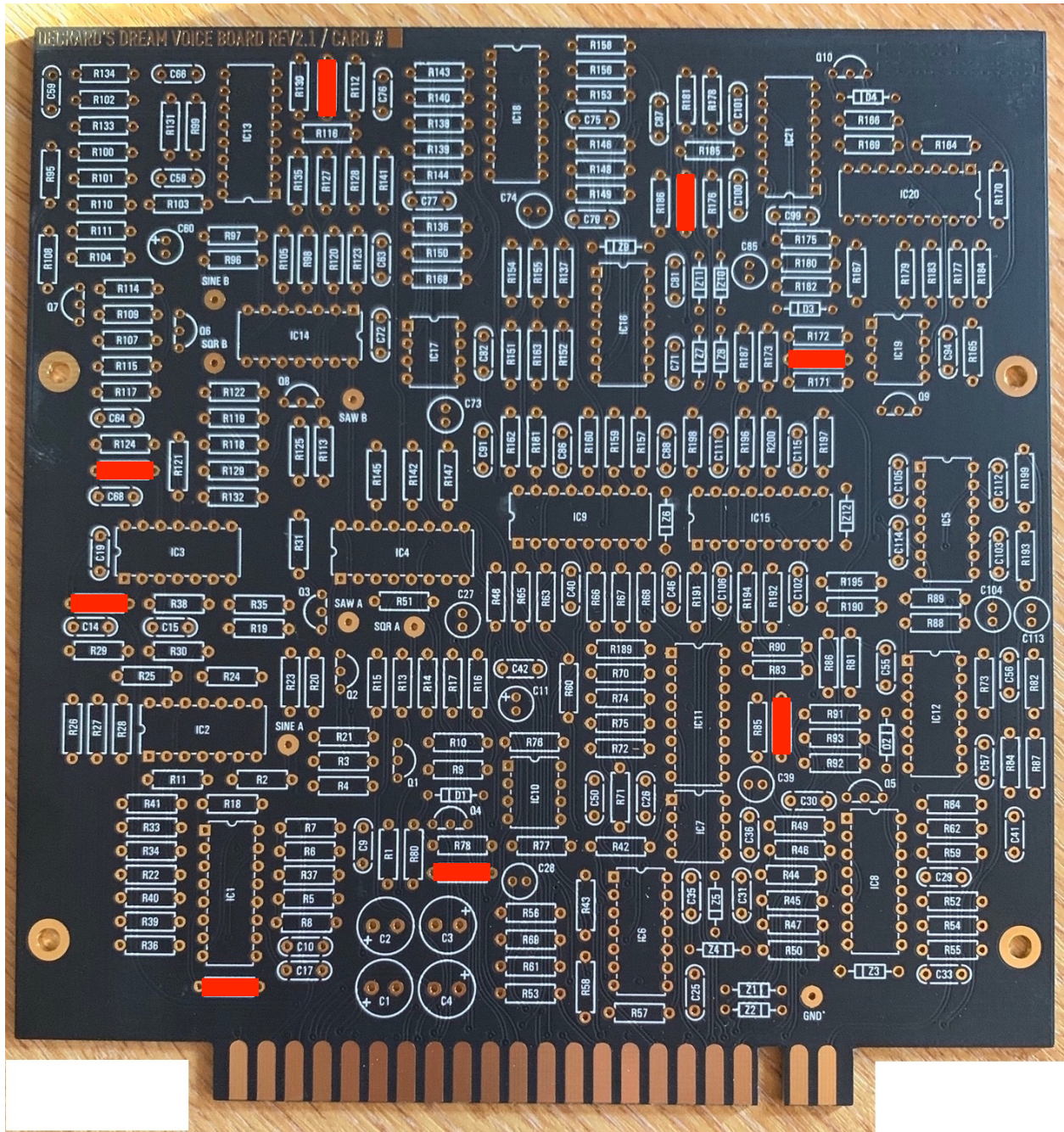
2K2



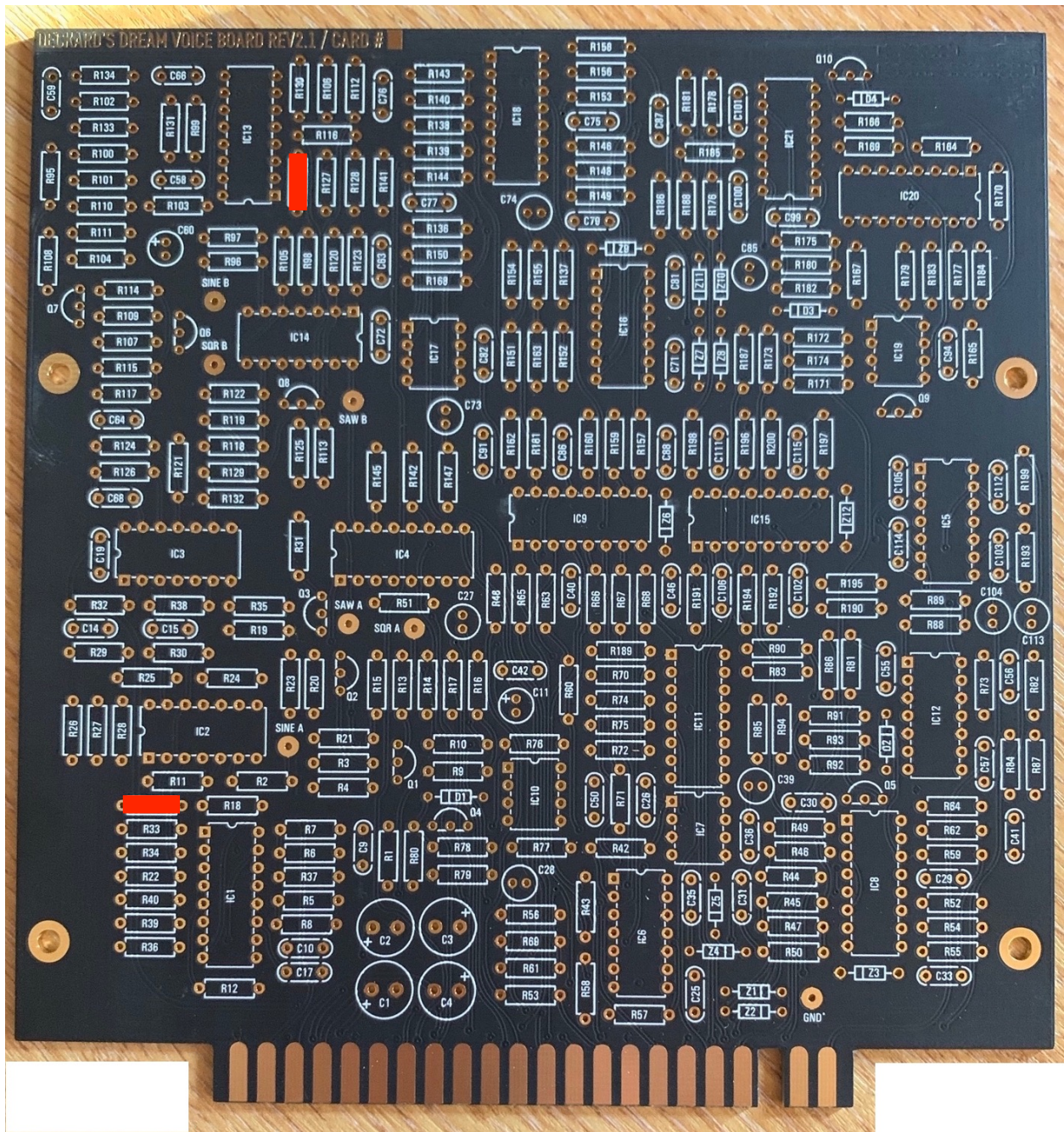
2K



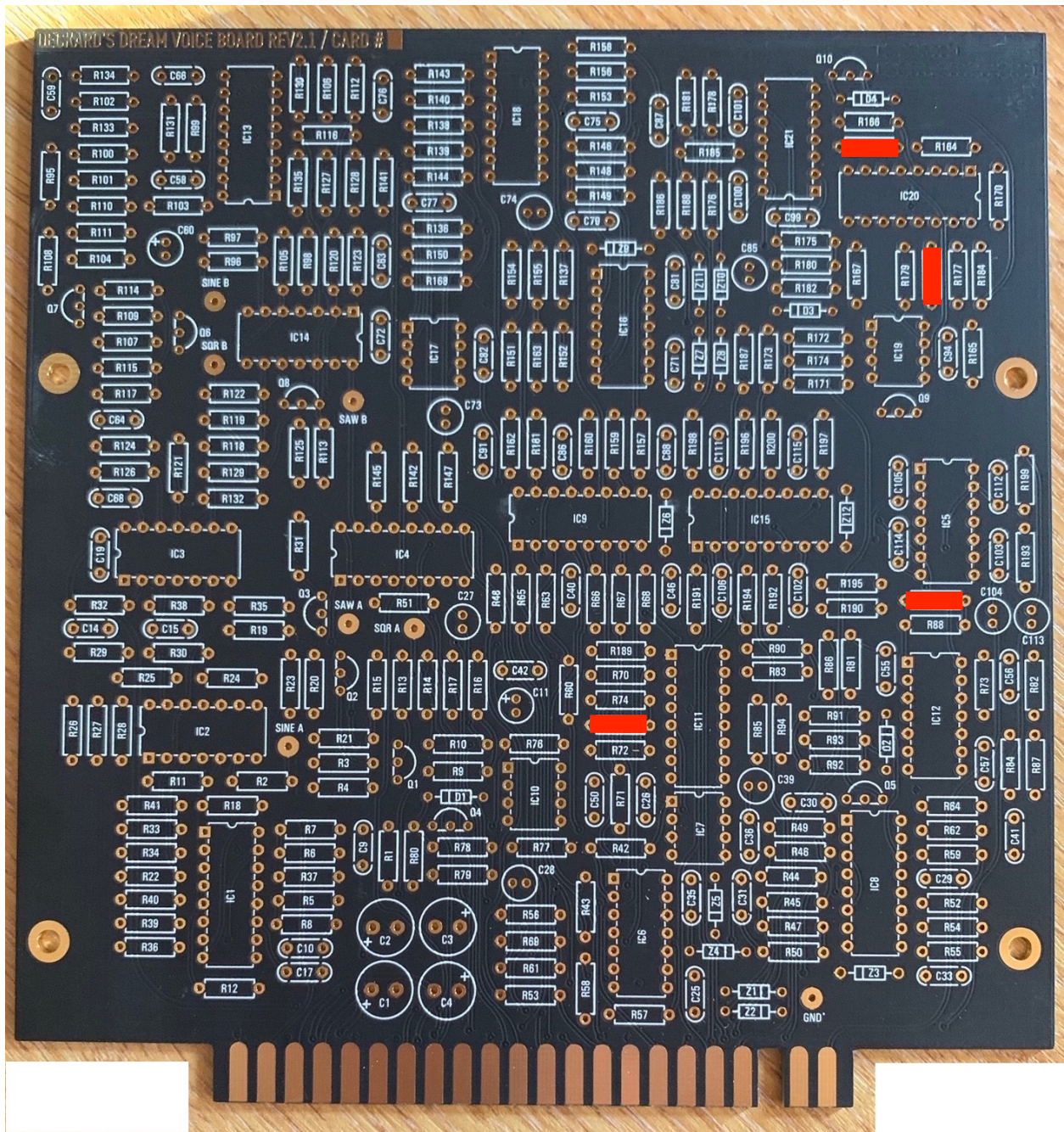
1K8



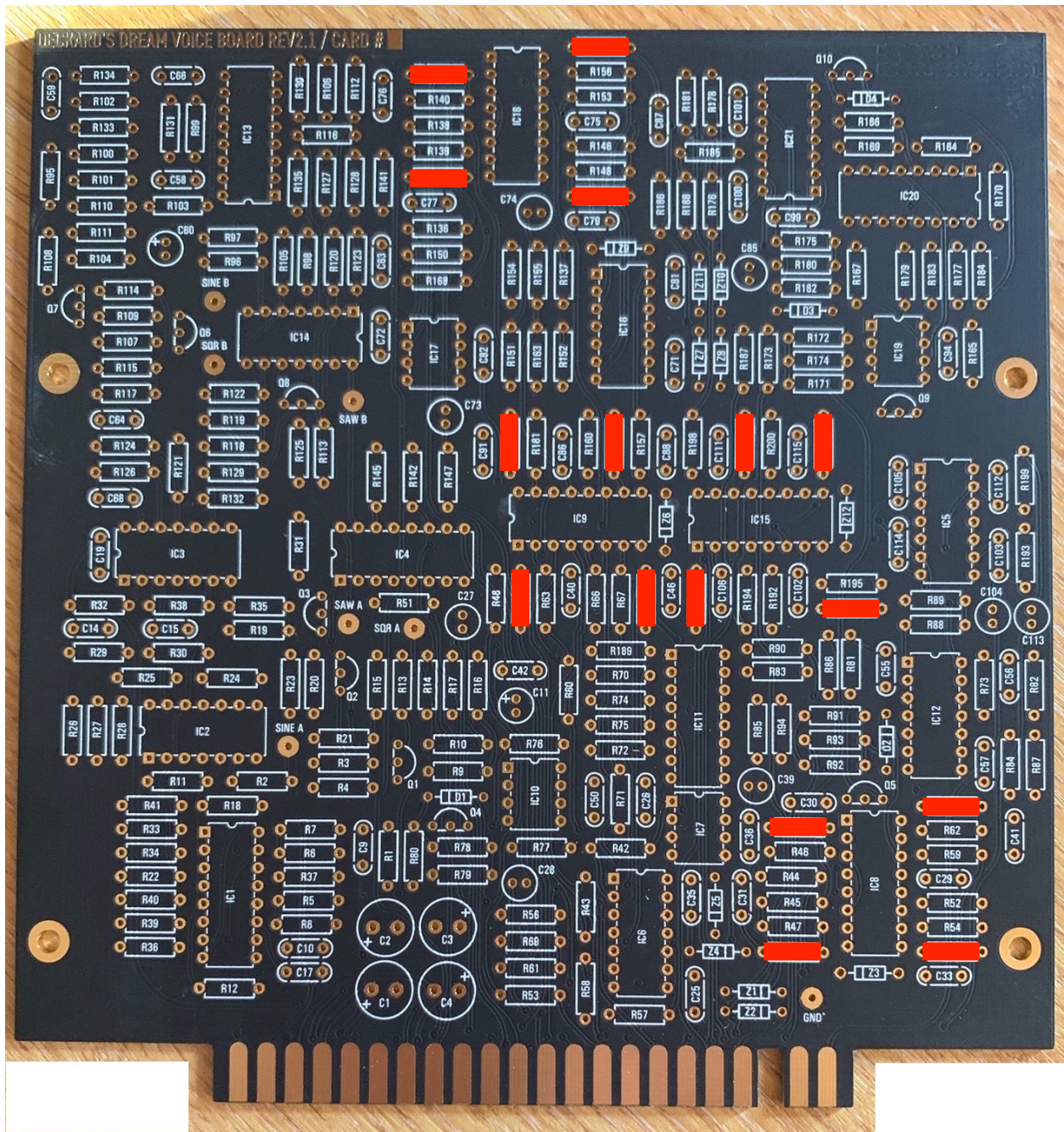
1K



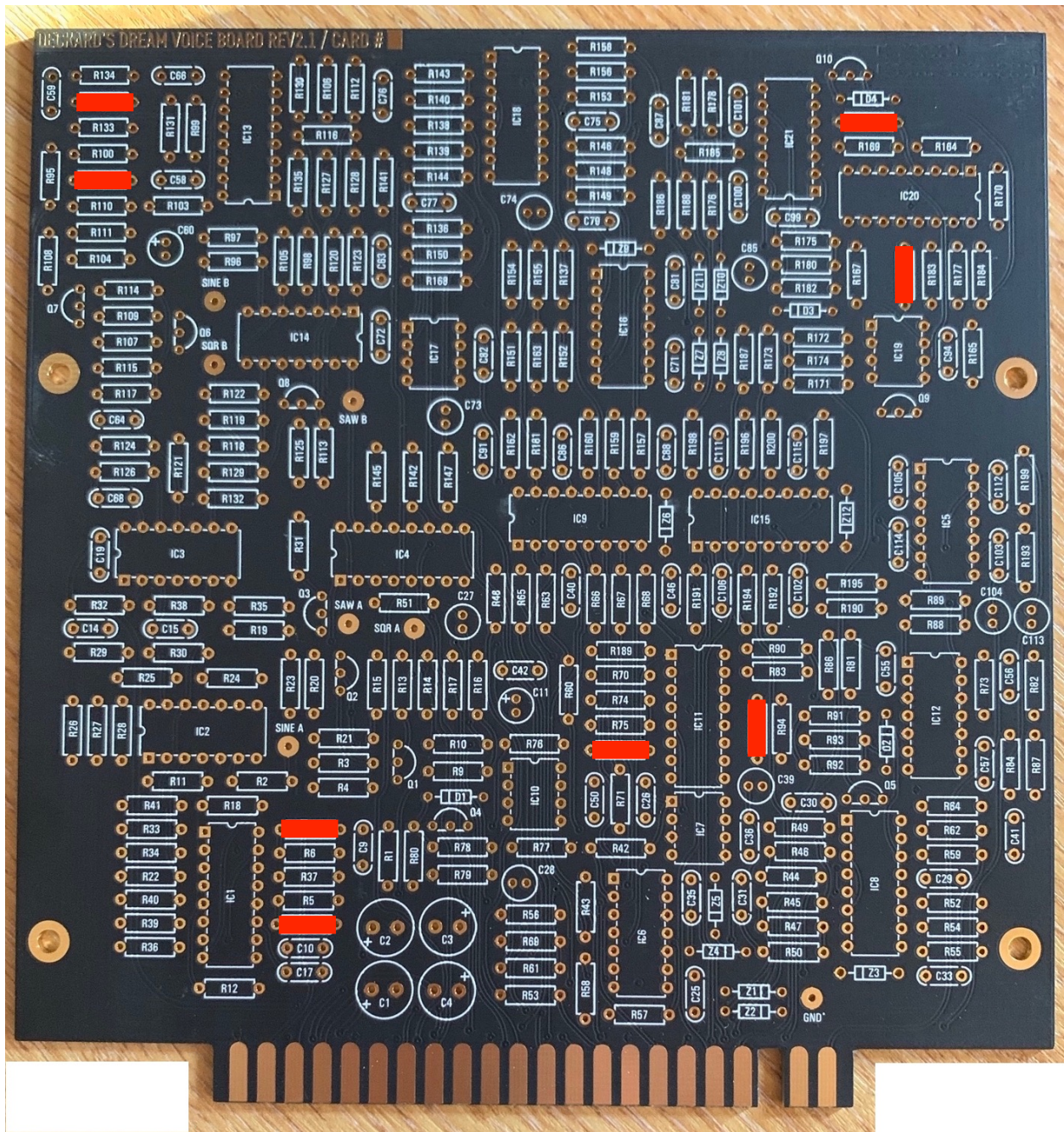
820R



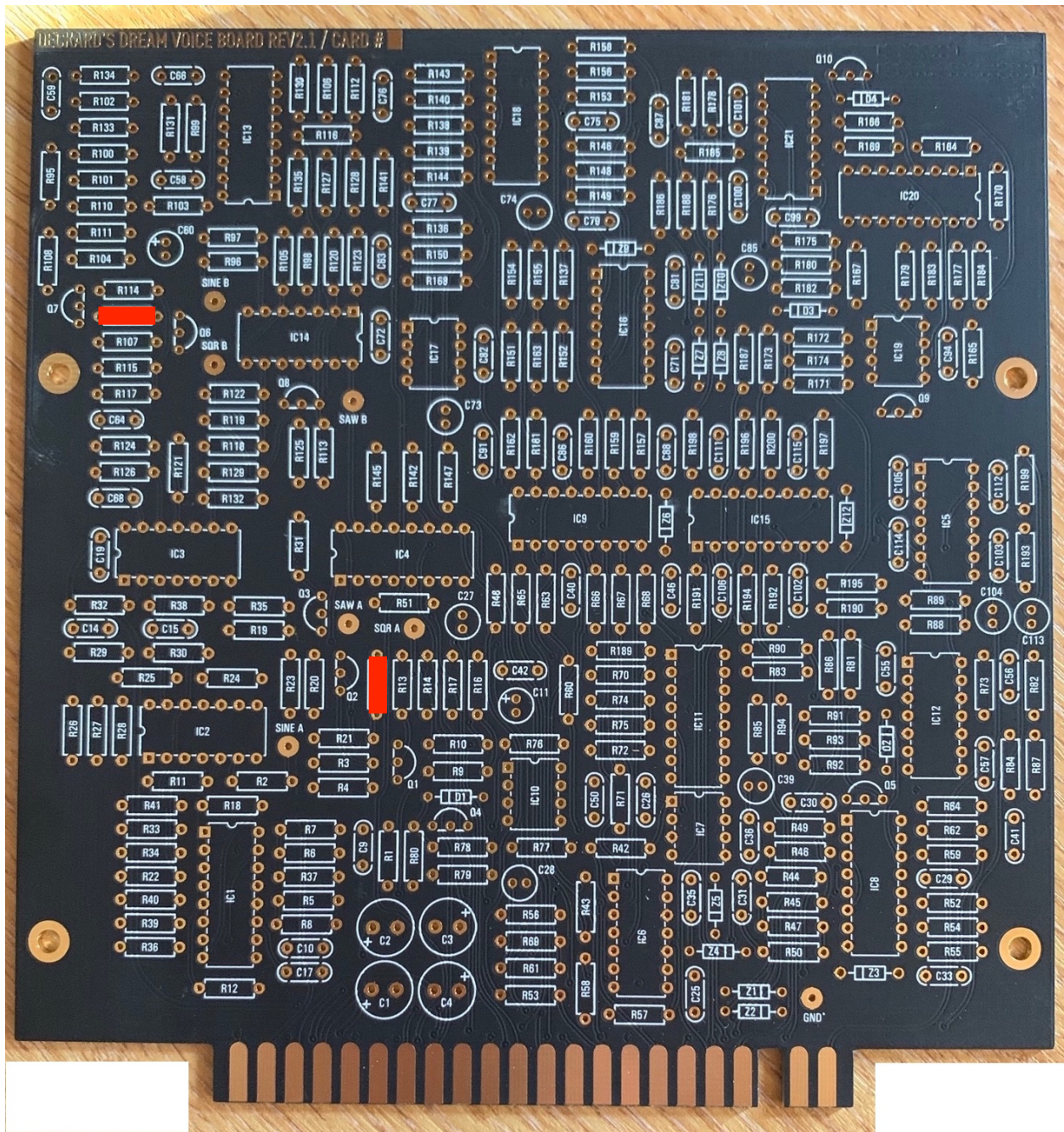
510R



499R



470R



390R