

1

2

3

4

A

A

B

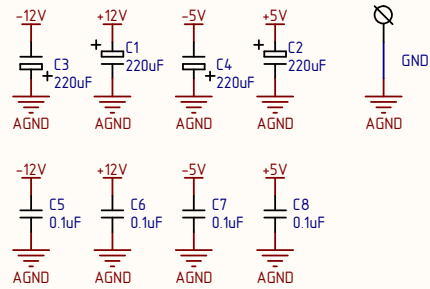
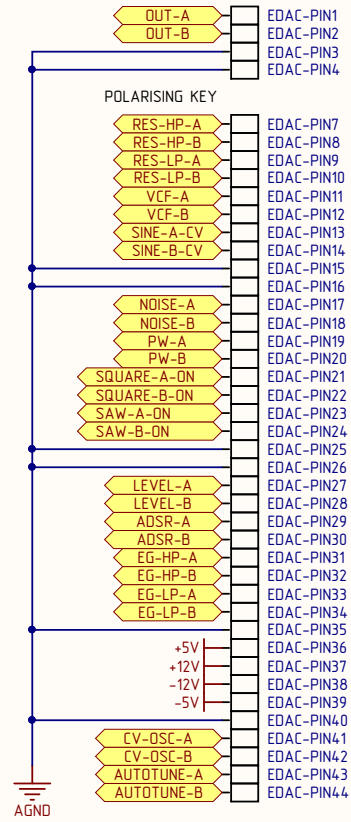
B

C

C

D

D

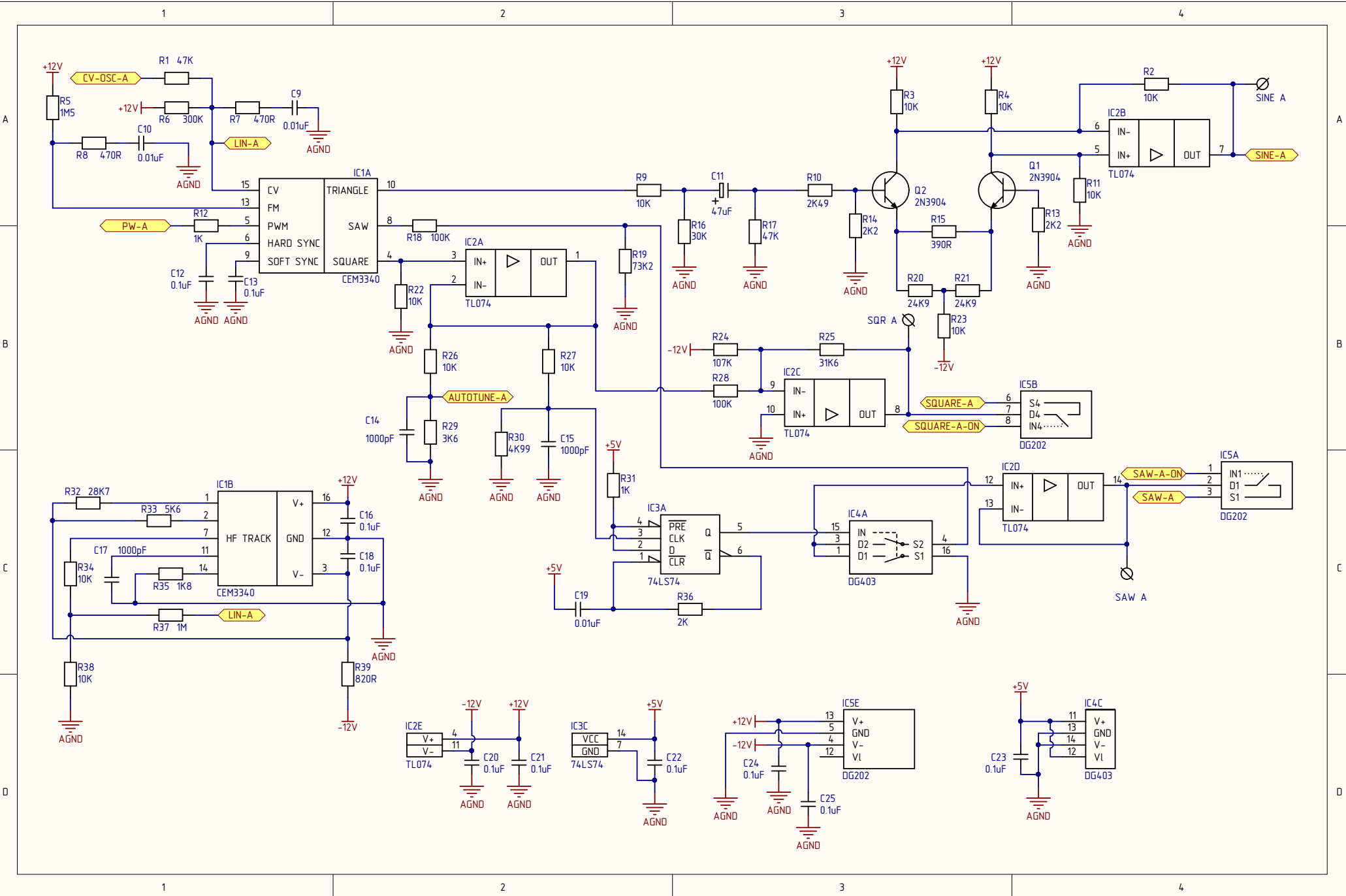


1

2

3

4



1

2

3

4

A

A

B

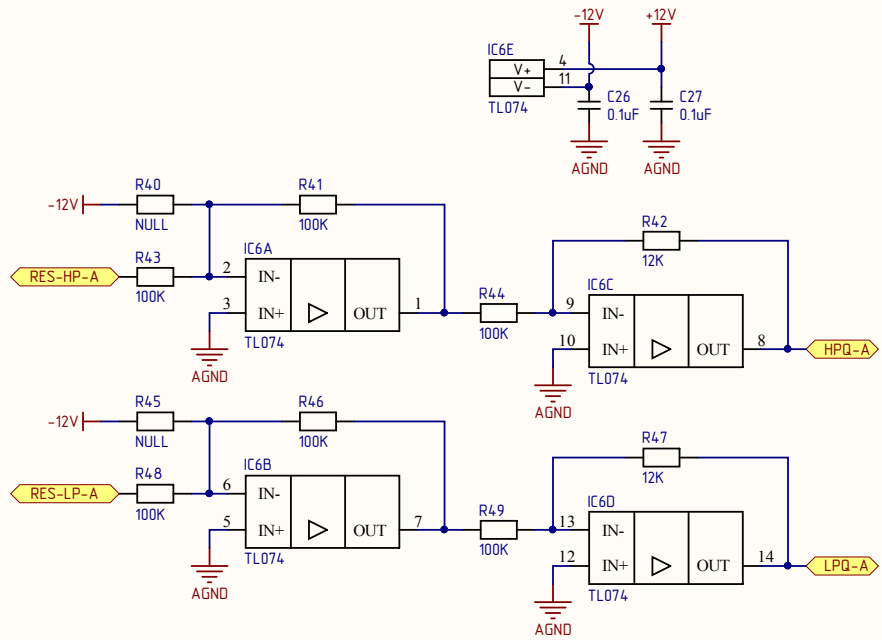
B

C

C

D

D

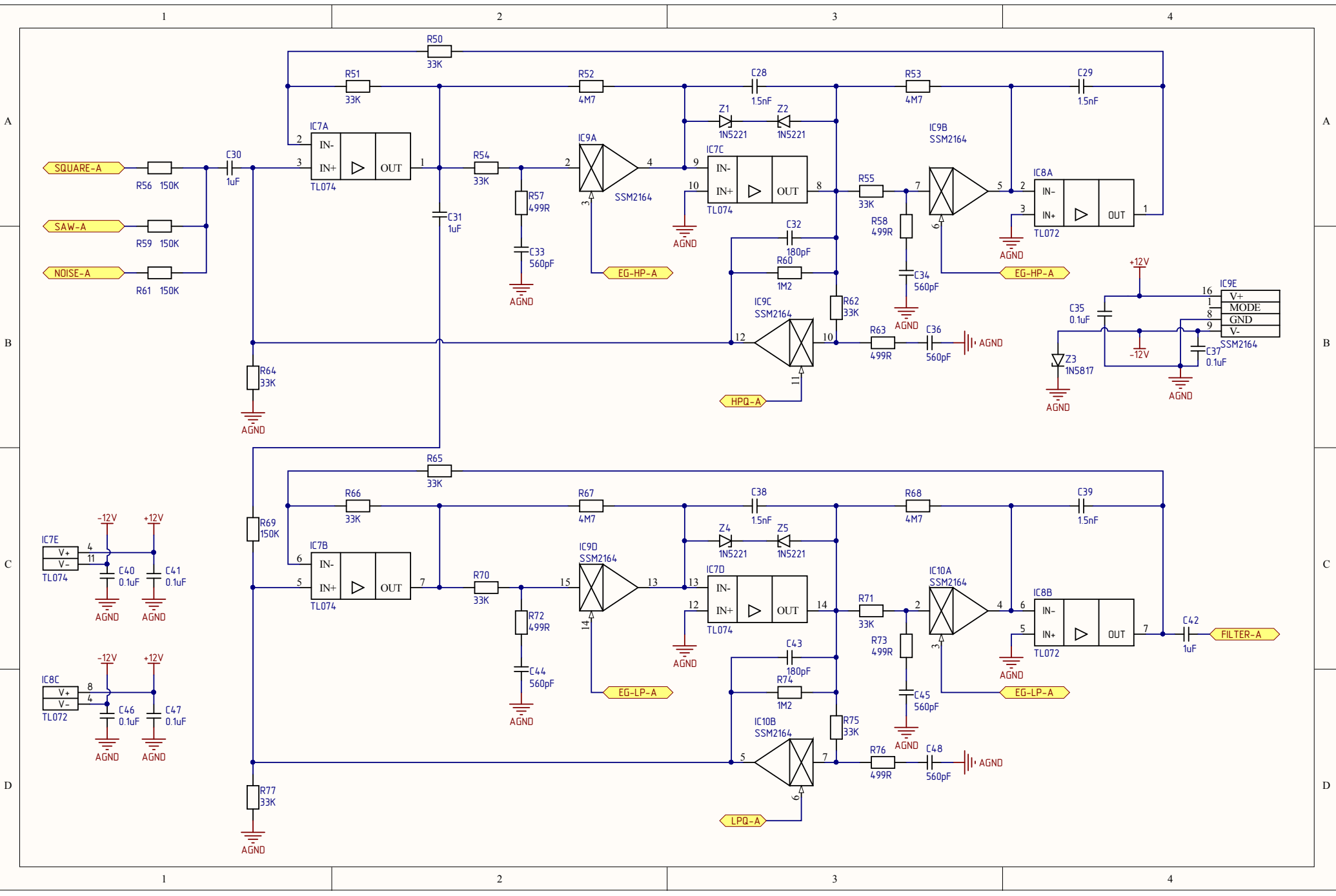


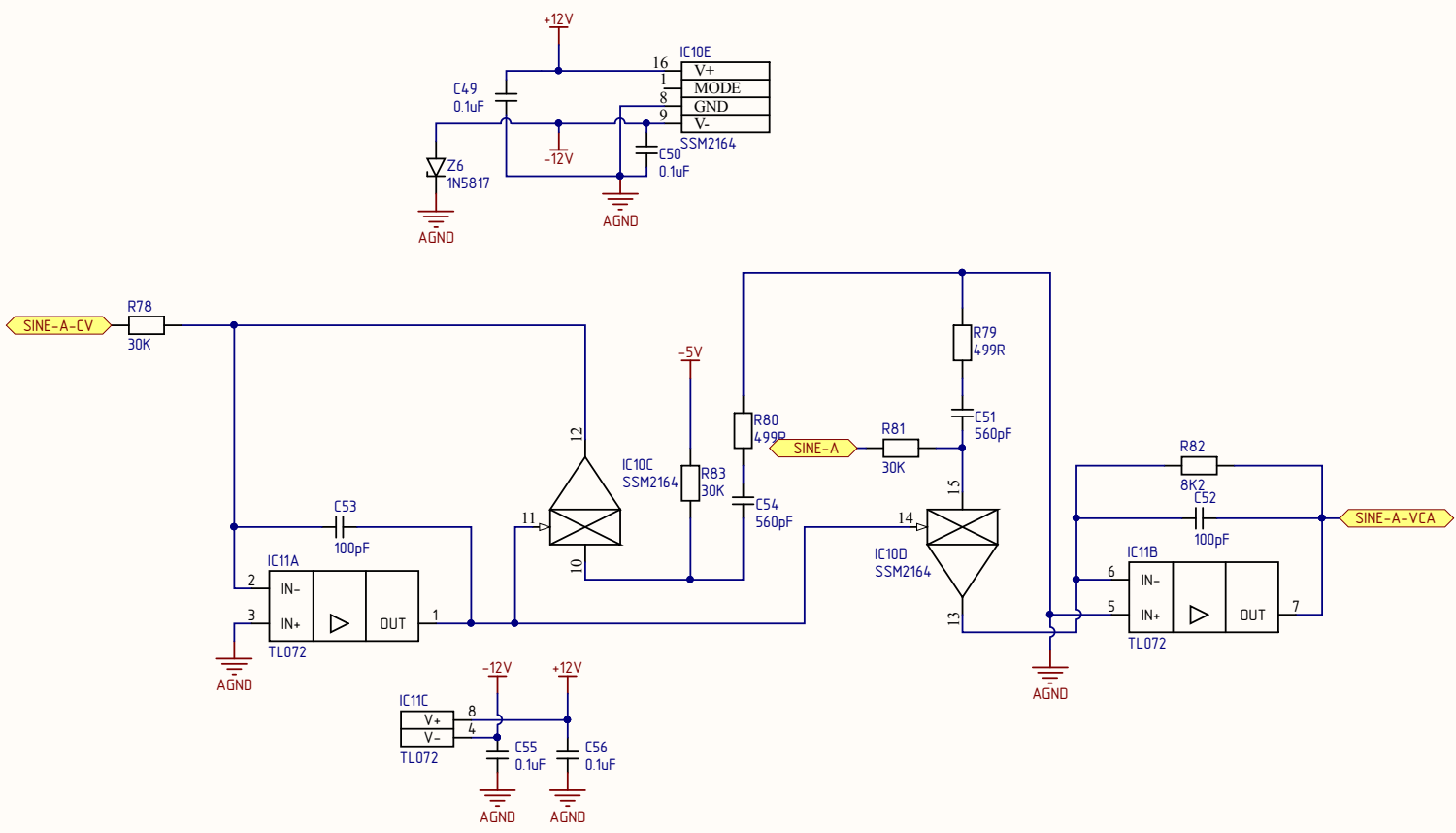
1

2

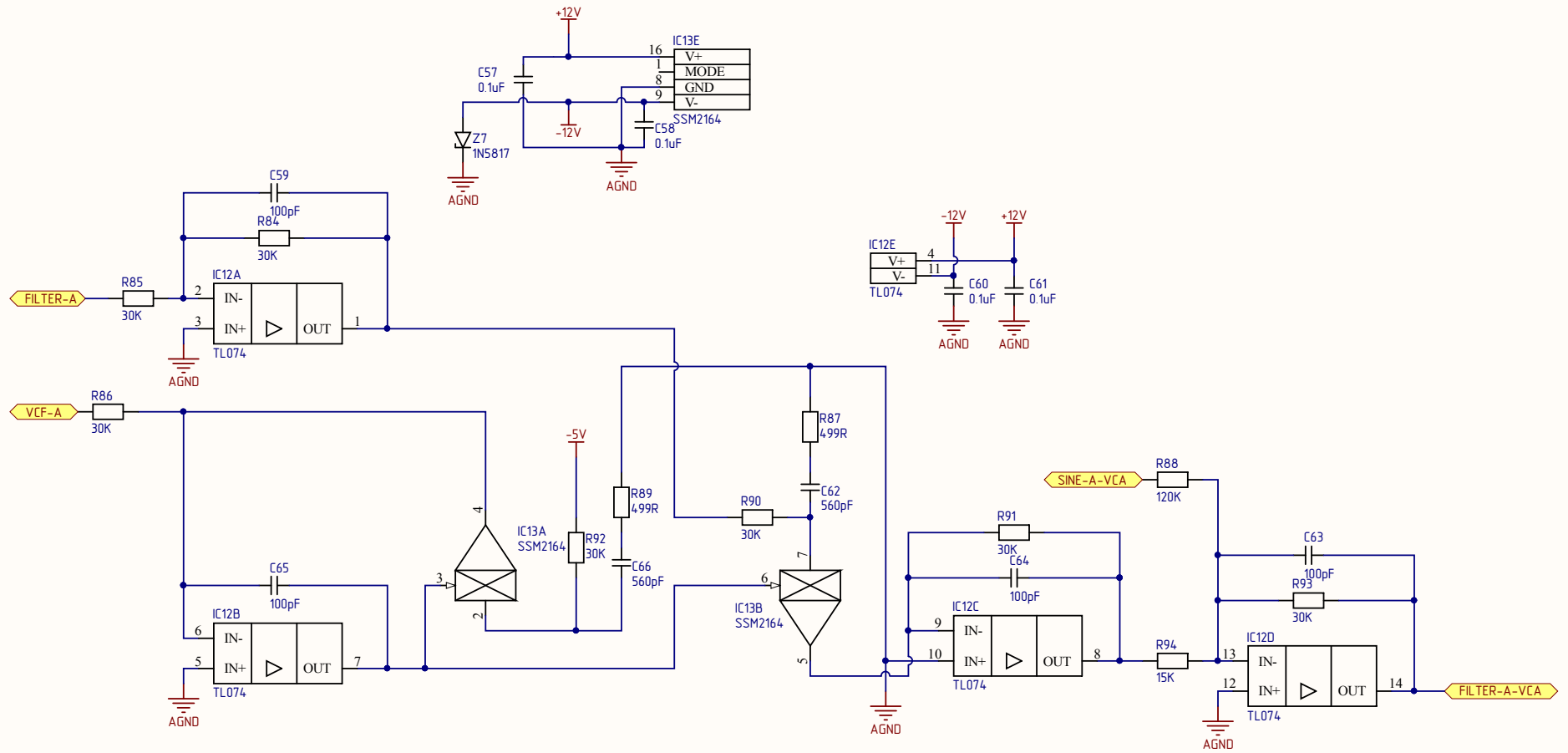
3

4

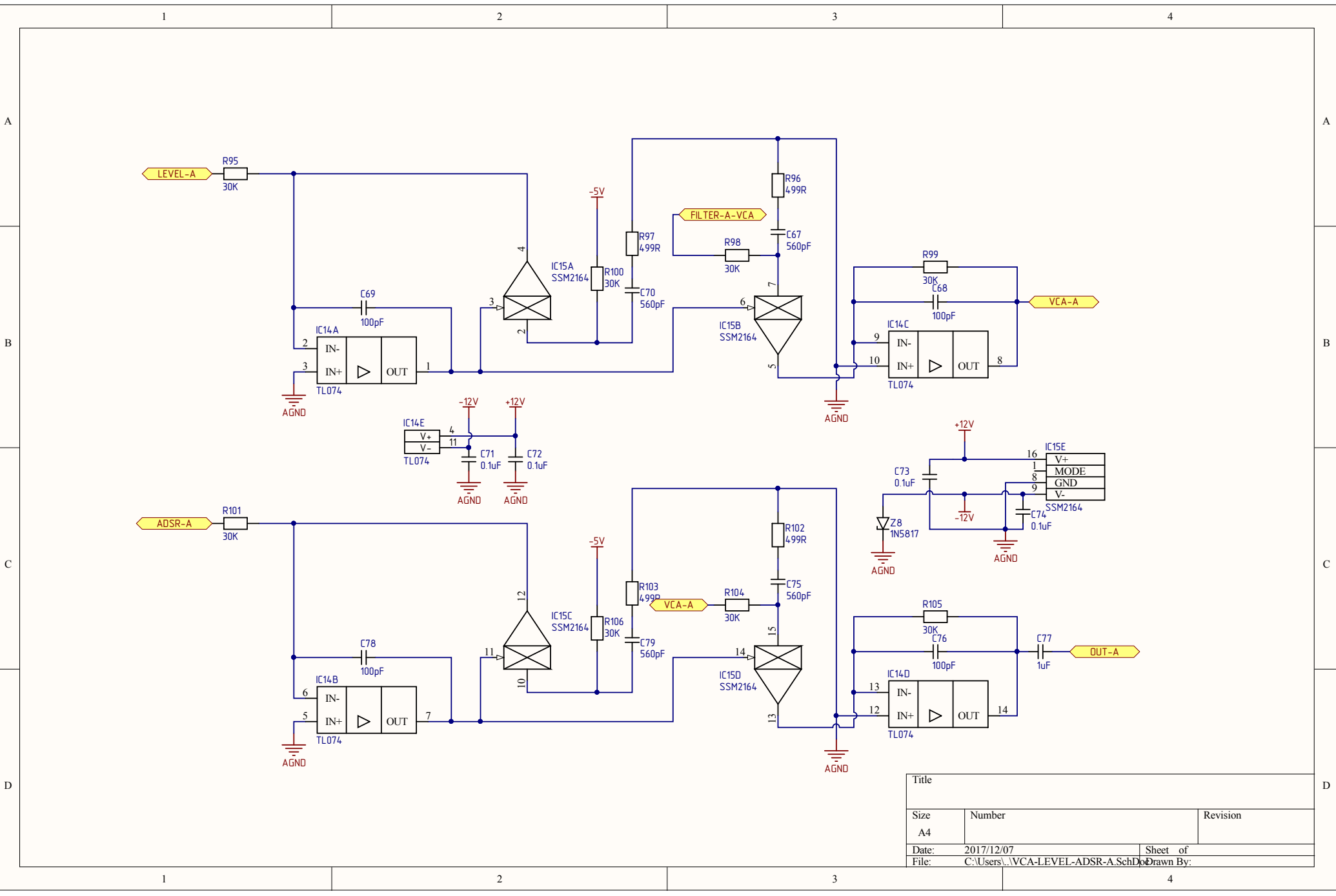




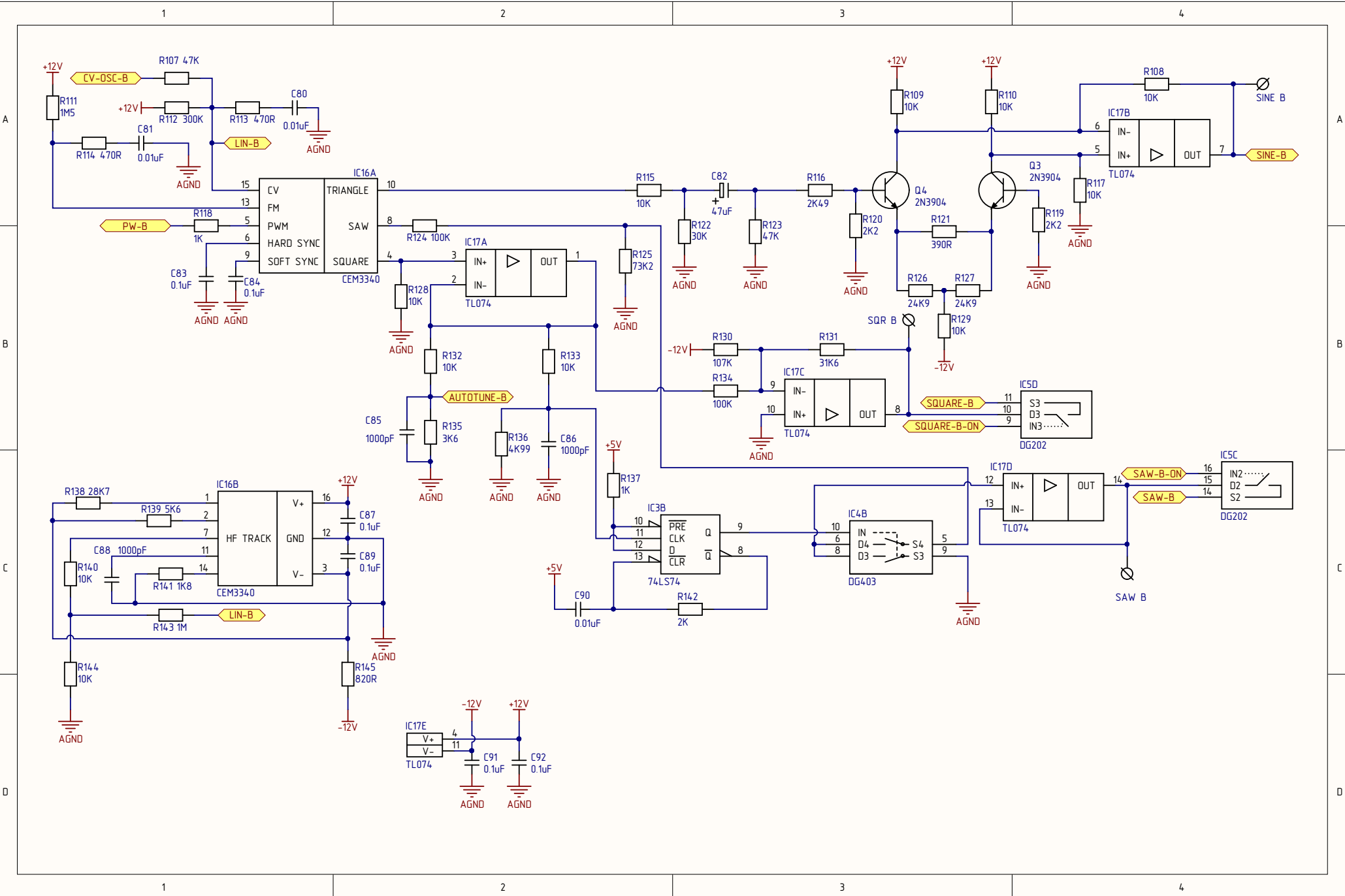
Title		
Size	Number	Revision
A4		
Date:	2017/12/07	Sheet of
File:	C:\Users\...\VCA-SINE-A.SchDoc	Drawn By:



Title		
Size	Number	Revision
A4		
Date:	2017/12/07	Sheet of
File:	C:\Users\...\VCA-NOISE-VFC-A.SchDoc	Drawn By:



Title		
Size	Number	Revision
A4		
Date:	2017/12/07	Sheet of
File:	C:\Users\... \VCA-LEVEL-ADSR-A.SchDoc	Drawn By:





1

2

3

4

A

A

B

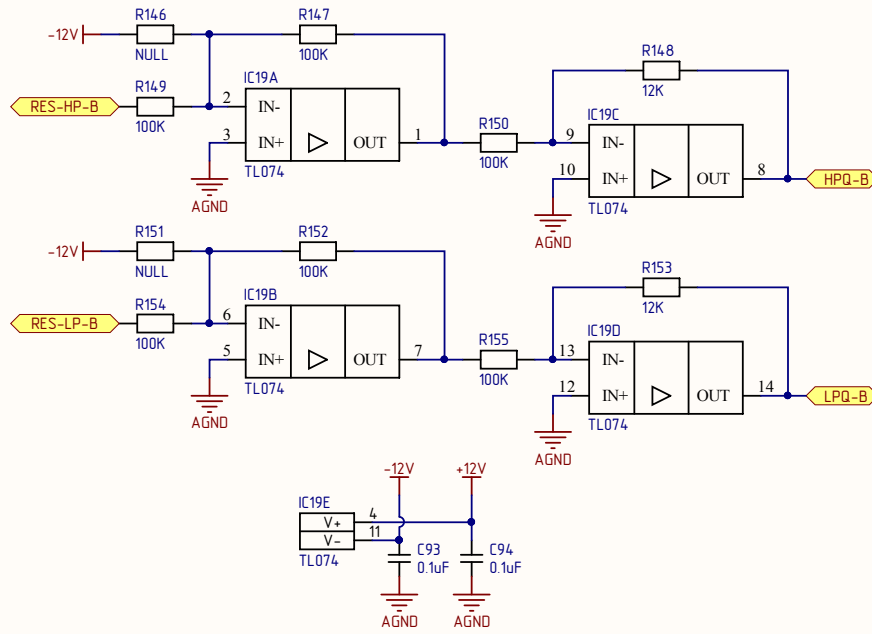
B

C

C

D

D

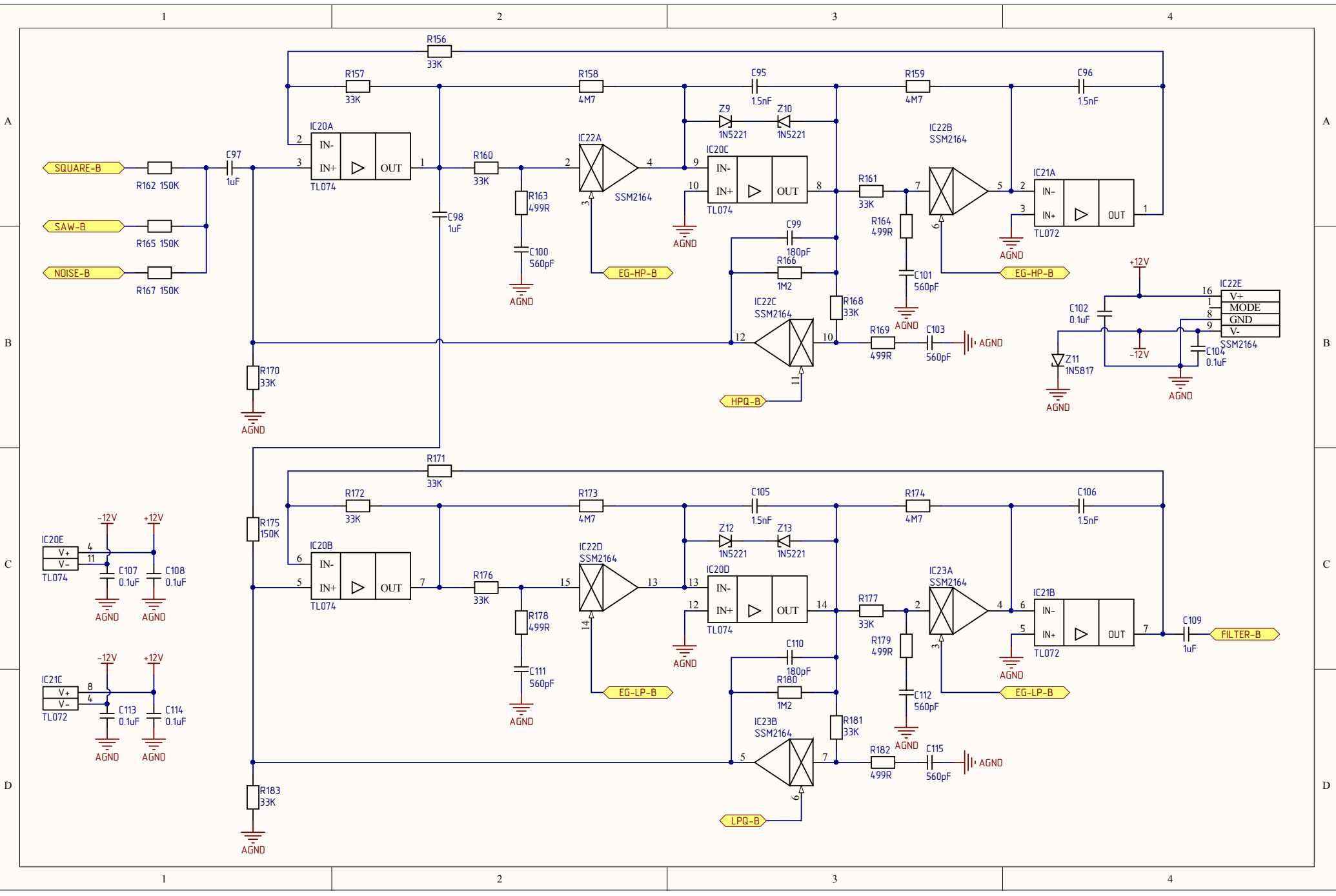


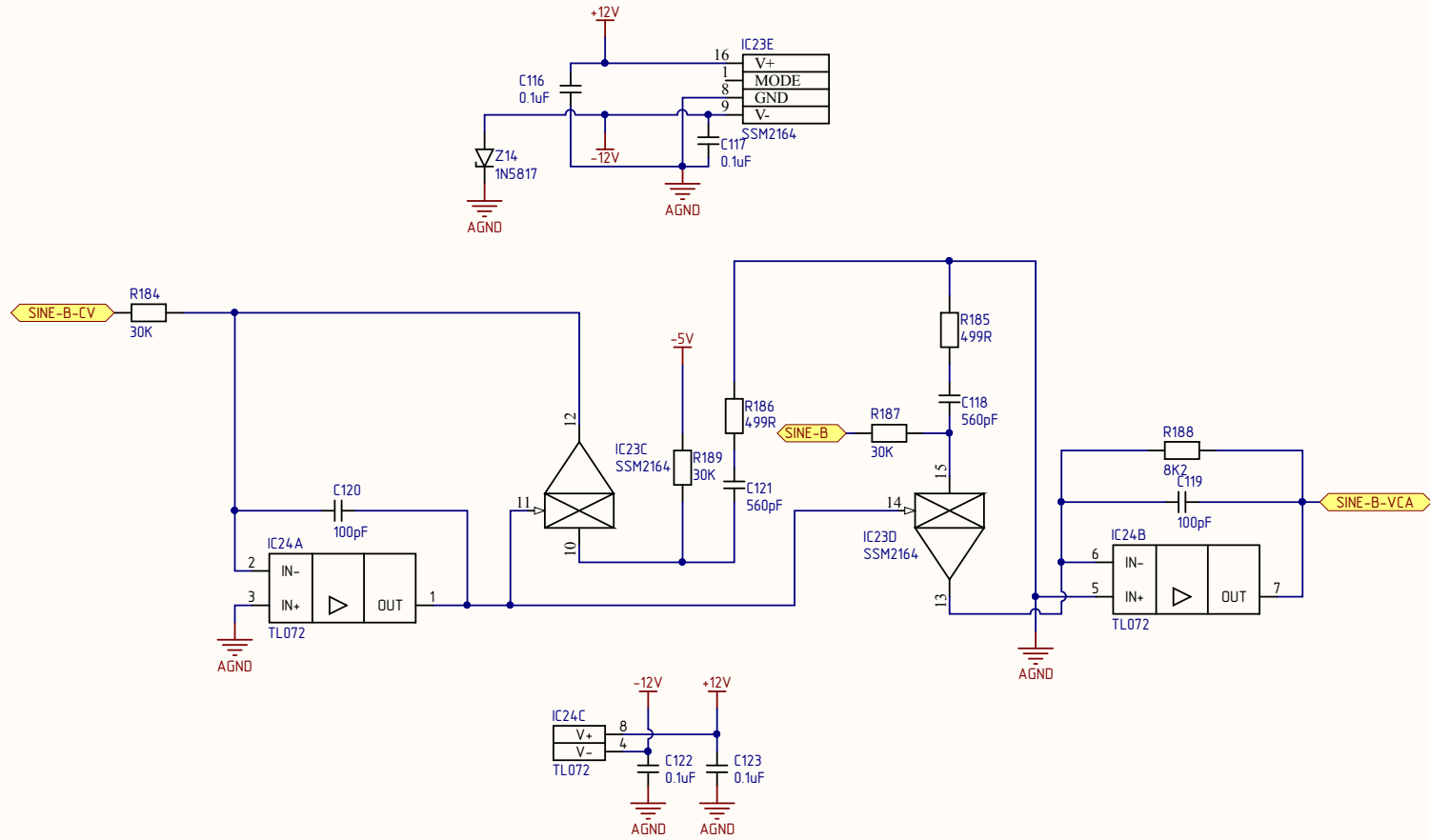
1

2

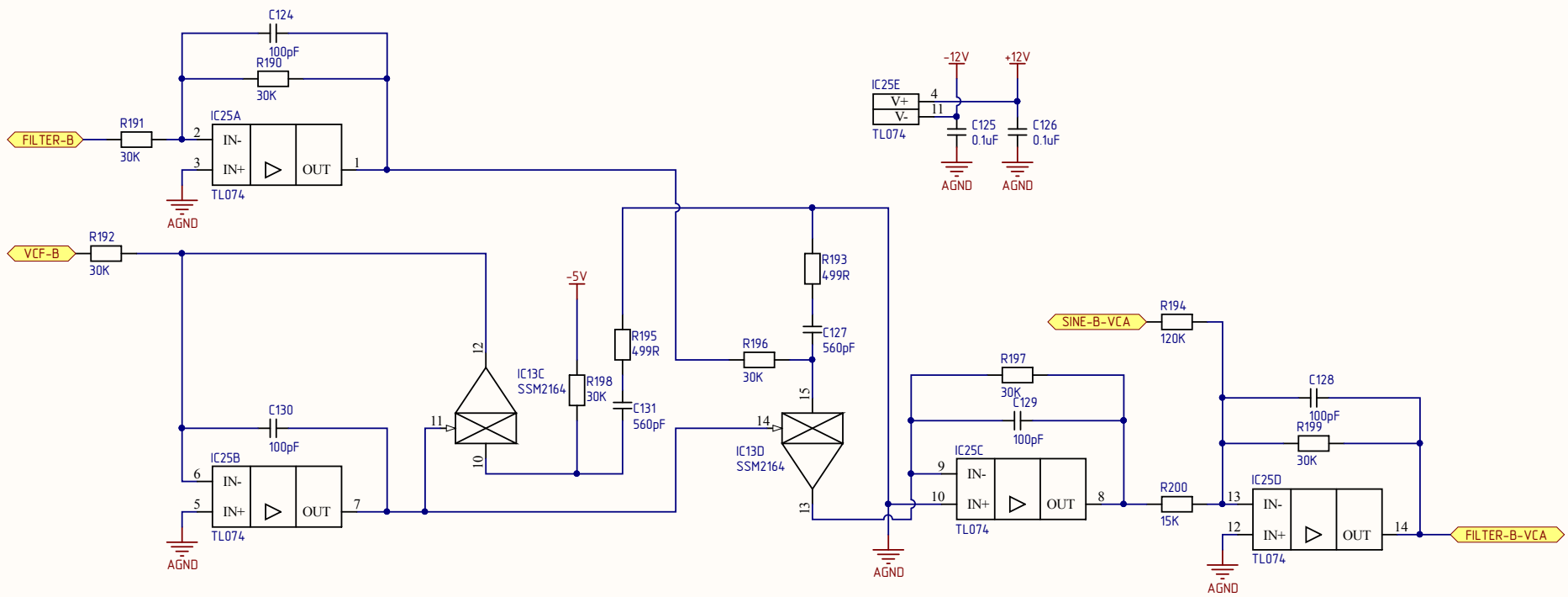
3

4

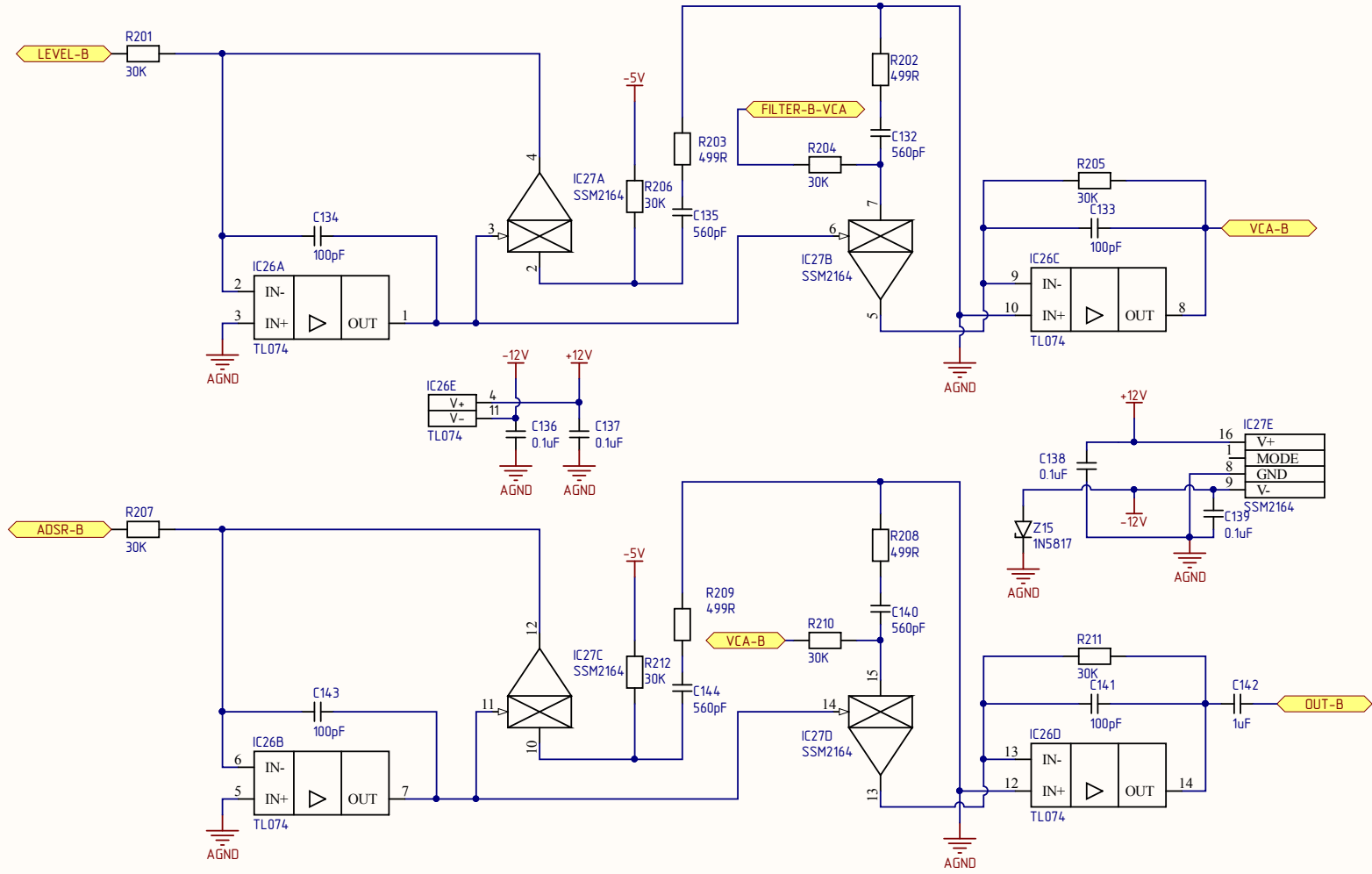




Title		
Size	Number	Revision
A4		
Date:	2017/12/07	Sheet of
File:	C:\Users\...\VCA-SINE-B.SchDoc	Drawn By:



Title		
Size	Number	Revision
A4		
Date:	2017/12/07	Sheet of
File:	C:\Users\...VCA-NOISE-VCF-B.SchDoc	Drawn By:



Title		
Size	Number	Revision
A4		
Date:	2017/12/07	Sheet of
File:	C:\Users\... \VCA-LEVEL-ADSR-B.SchDoc	Drawn By:

