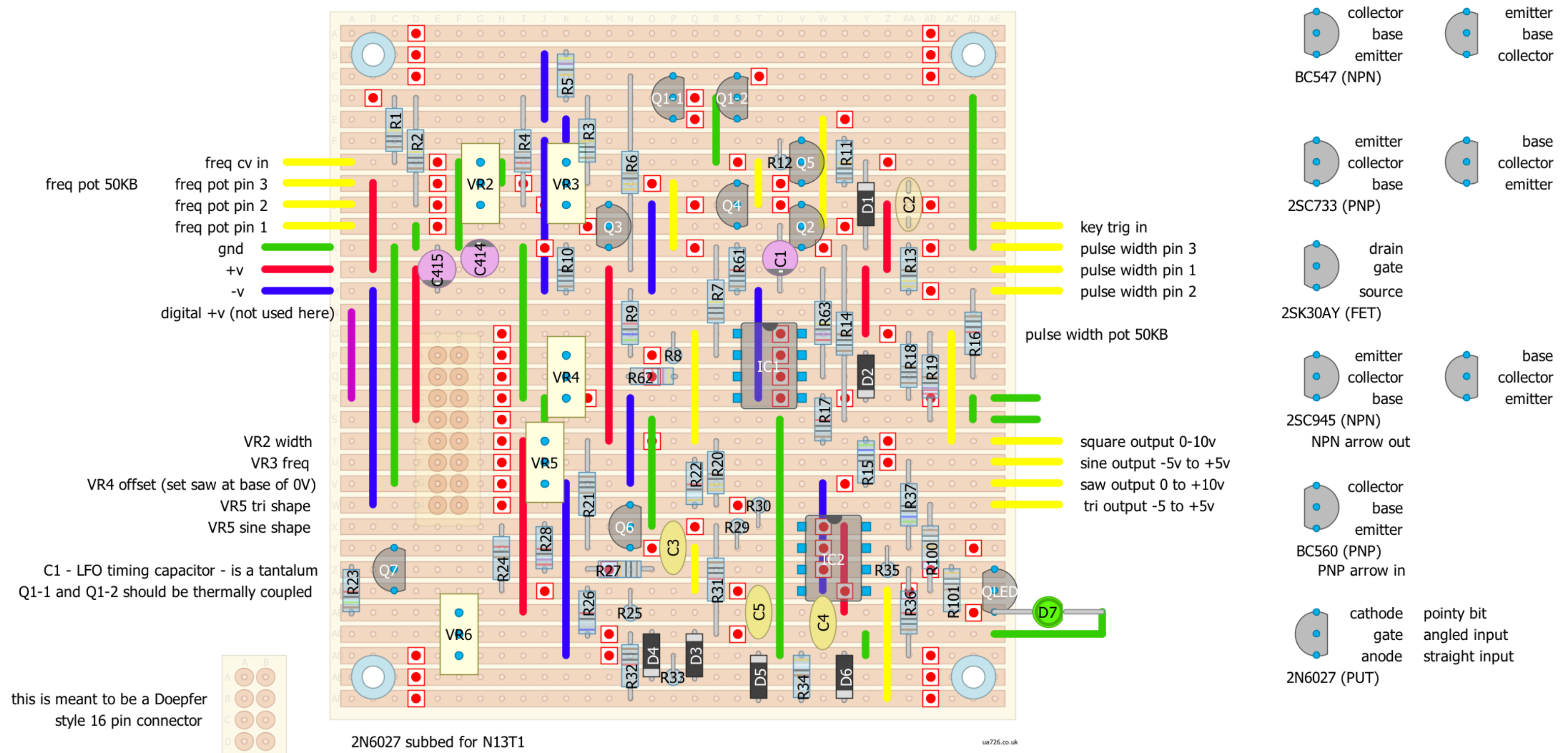
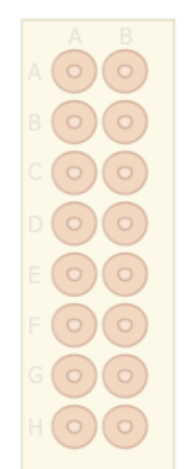


Roland System 700 706B LFO

31 x 32



this is meant to be a Doepfer style 16 pin connector



2N6027 subbed for N13T1

, Q1-1, Q1-2	BC560	R6, R13, R20	3.3K
,, Q3, Q5, Q7	2SC945	R9	56K
, Q2	qty 1	R10	100Ω
,, , Q6	2SK30AY	R12	4.7M 0.5W
Vero Board	2SC733	R14, R18, R21	1K
Perf Board w/ Pads	qty 1	R15, R30, R37	560Ω 0.5W
C1	qty 2	R16, R17, R31, R32, R36, R61	10K
C2	3.3uF 25V	R19	2.7K
C3	0.001uF	R22	39K
C4, C5	470pF	R23	15K
C414, C415	100nF 35V	R24	8.2K
D1, D2	100uF 35V	R25, R29	33K
D3, D4, D5, D6	qty 2	R26	68K
D7	1N4148	R28	27K
Eyelet	qty 1	R33	18K
IC1, IC2	qty 4	R34	3.9K
Q4	CA1458	R62	47K
QLED	2N6027	R63	270K
R1, R2, R3, R7, R8, R11, R27, R35, R100	BC547	R101	3K
R4	100K	VR2	1K Lin
R5	1.2K	VR3, VR5, VR6	100K Lin
	470K	VR4	10K Lin