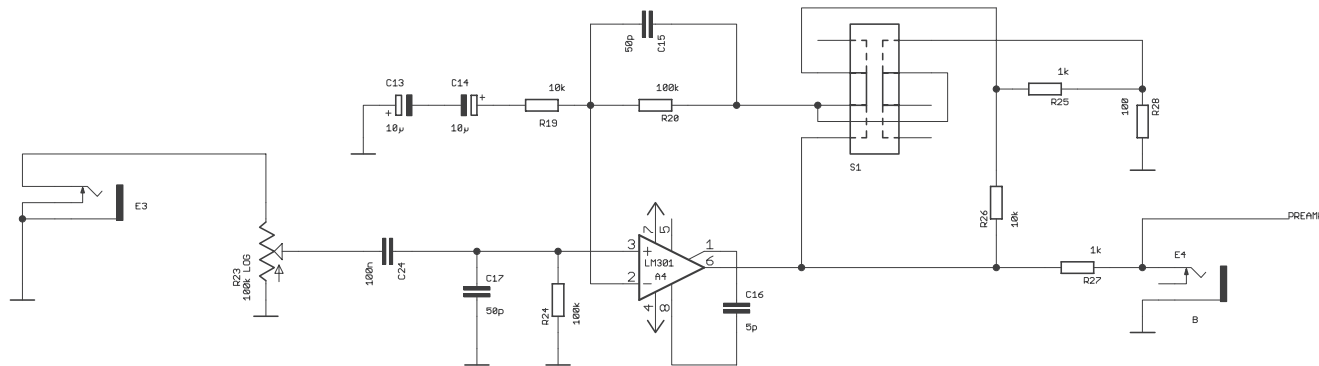
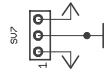
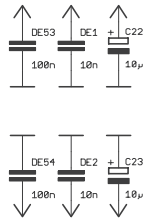
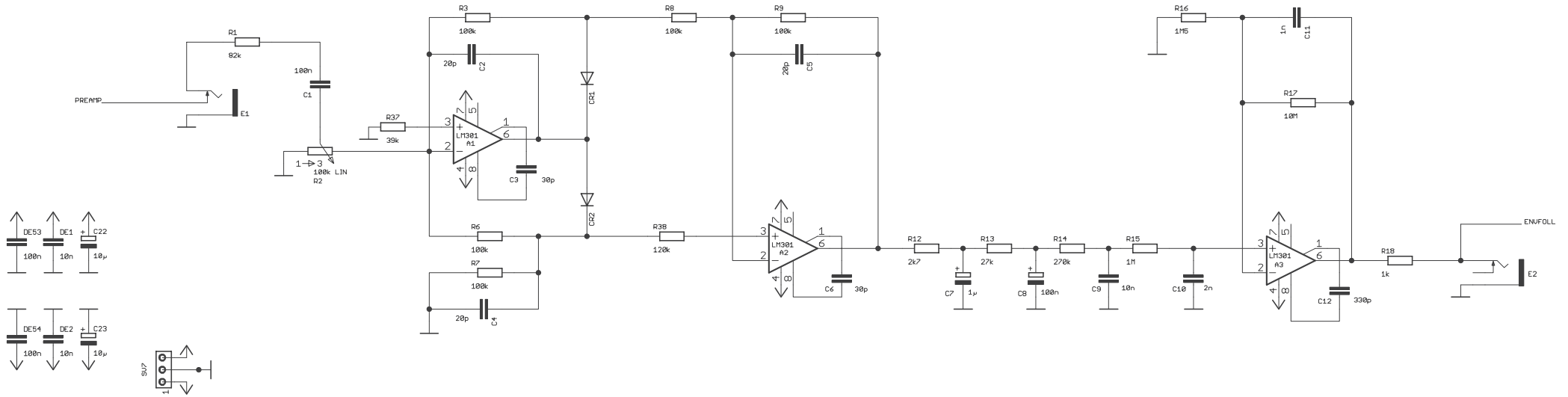


# PRE-AMP & ENVELOPE FOLLOWER

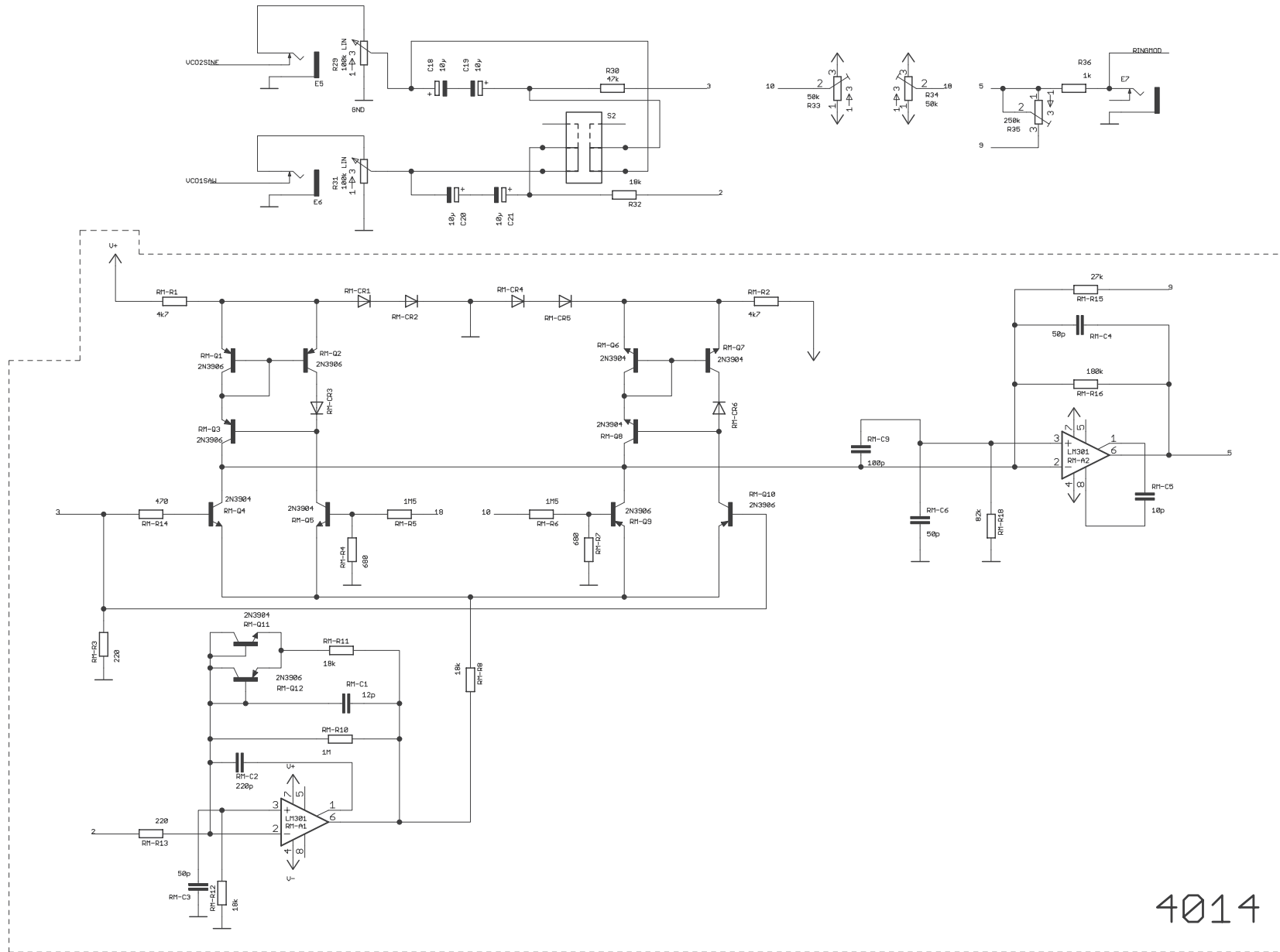


**NOTE**  
All reference designators as per the ARP2600 service manual, to the extent possible.  
Symbol references are as follows -

- V+    ↑
- GND    ⊥
- V-    ↓

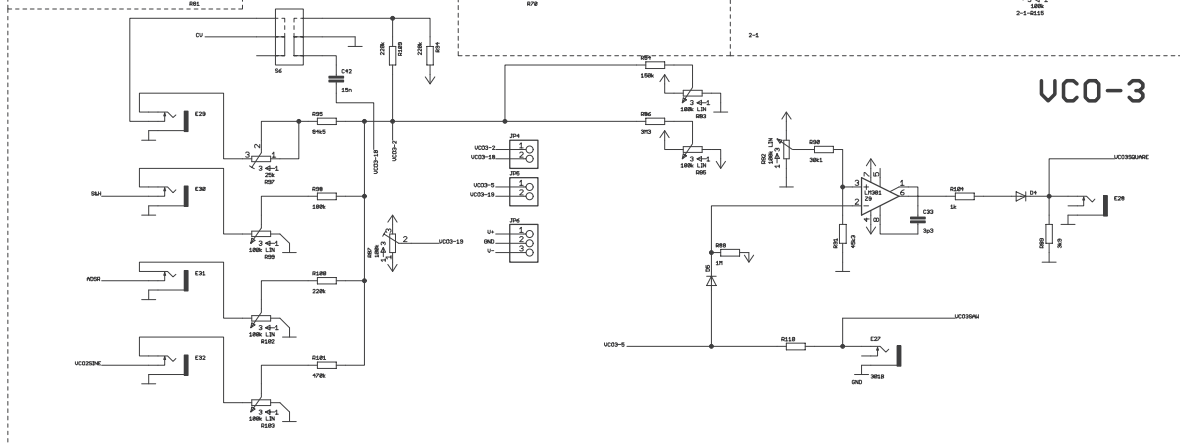
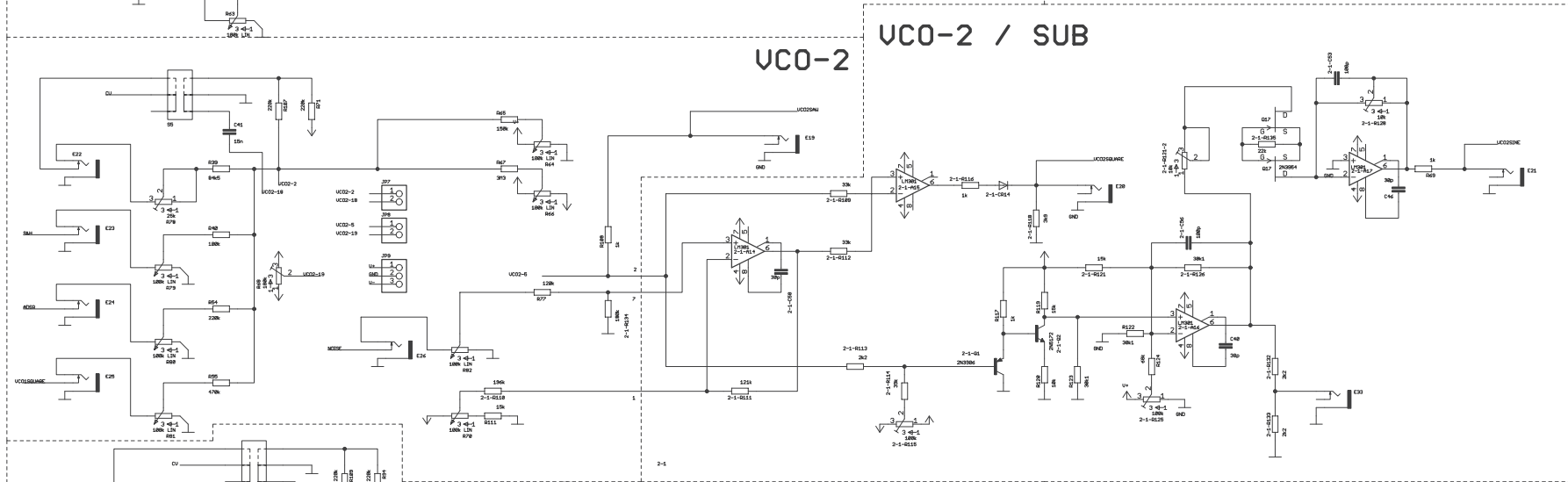
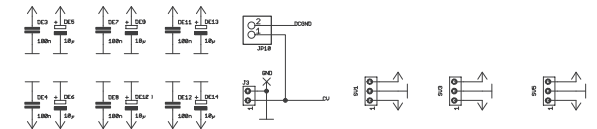
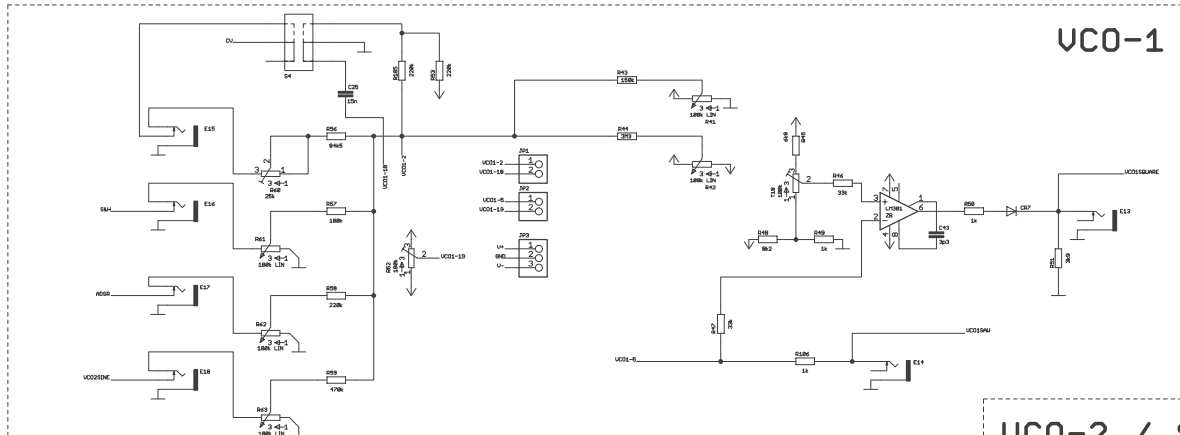
All diodes 1n4148 except where noted.  
Wires that end with in a name connect to the wires with the same name.  
All capacitors named DEX are for decoupling, and not part of the original circuit.

# RING MODULATOR



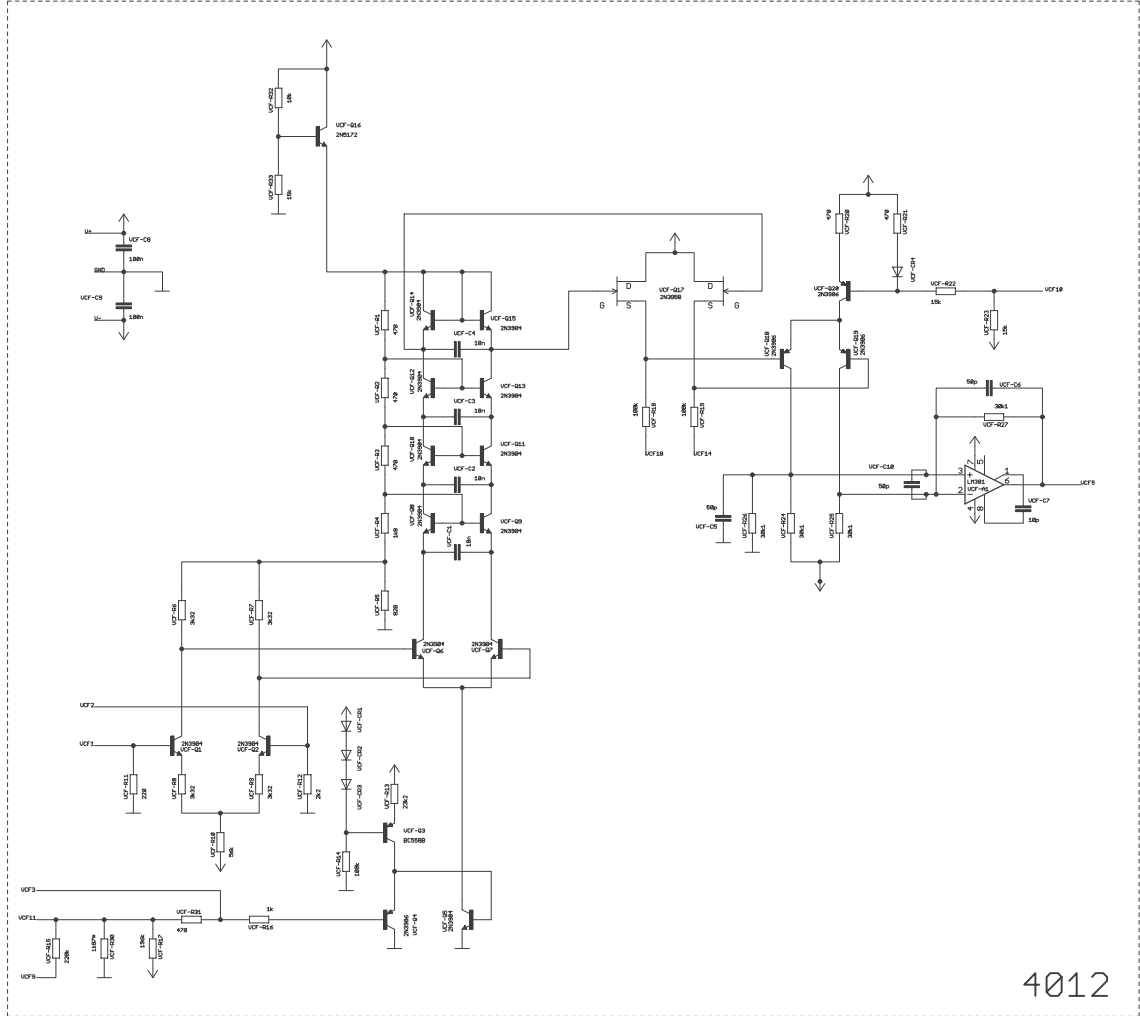
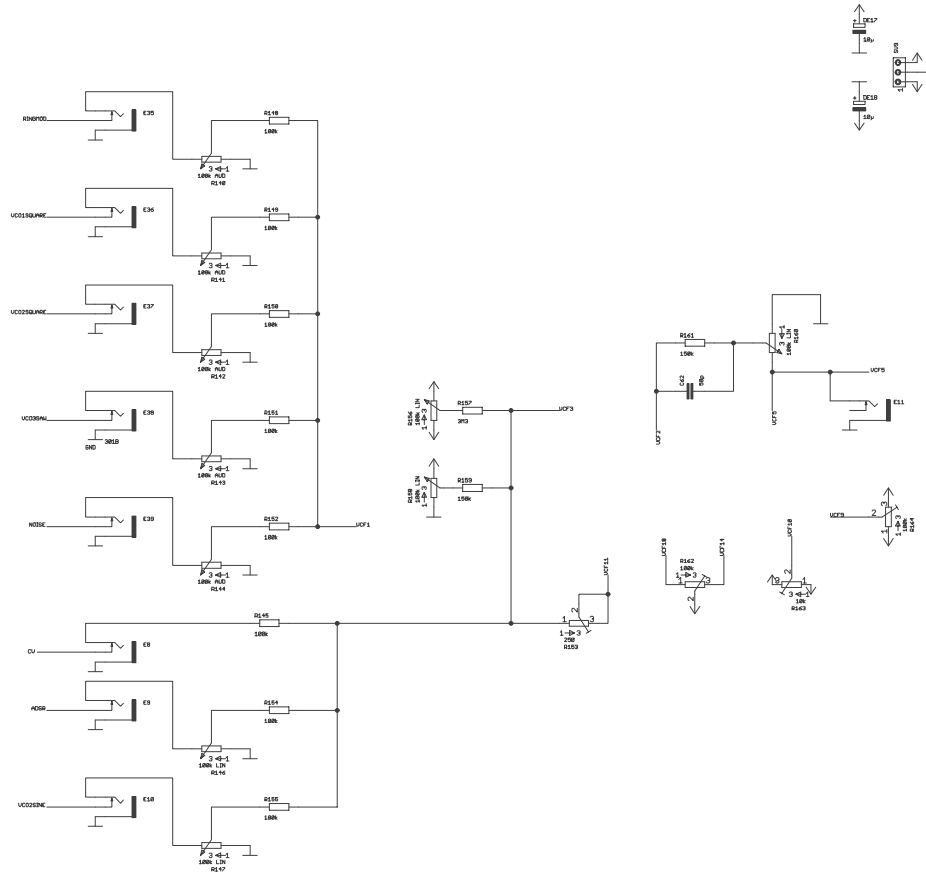
4014

# VCO 1-3



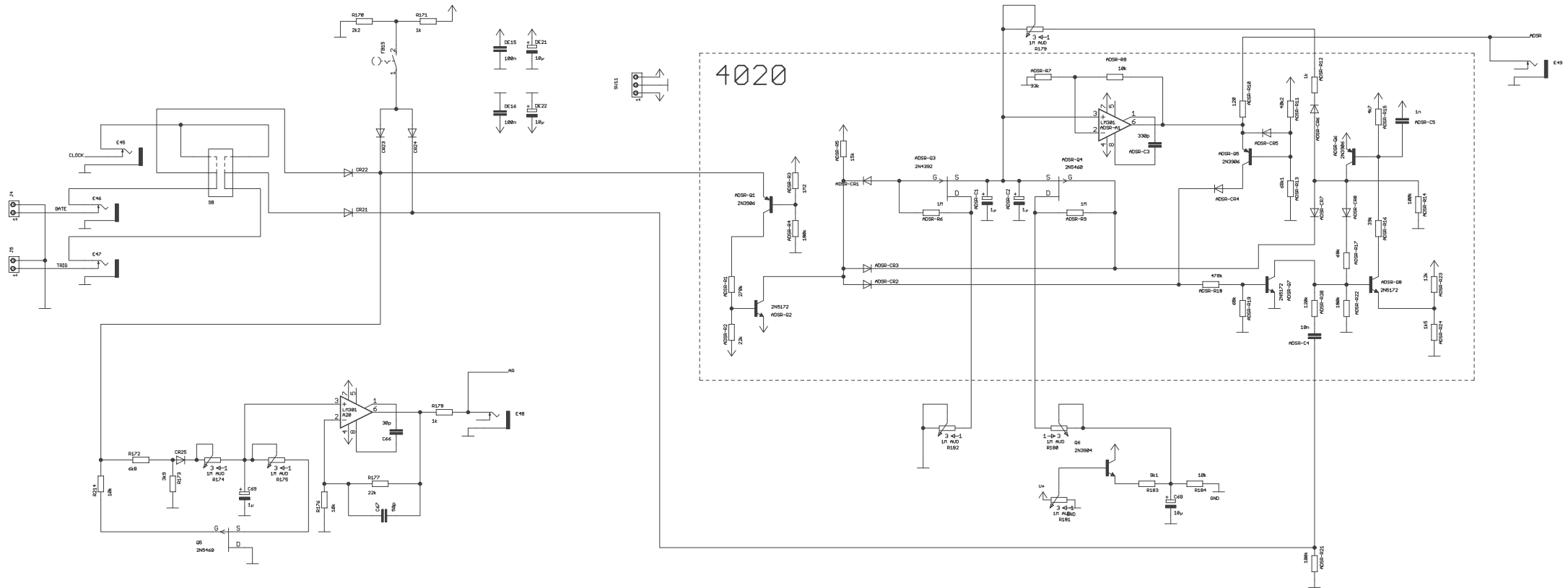


# 4012 FILTER



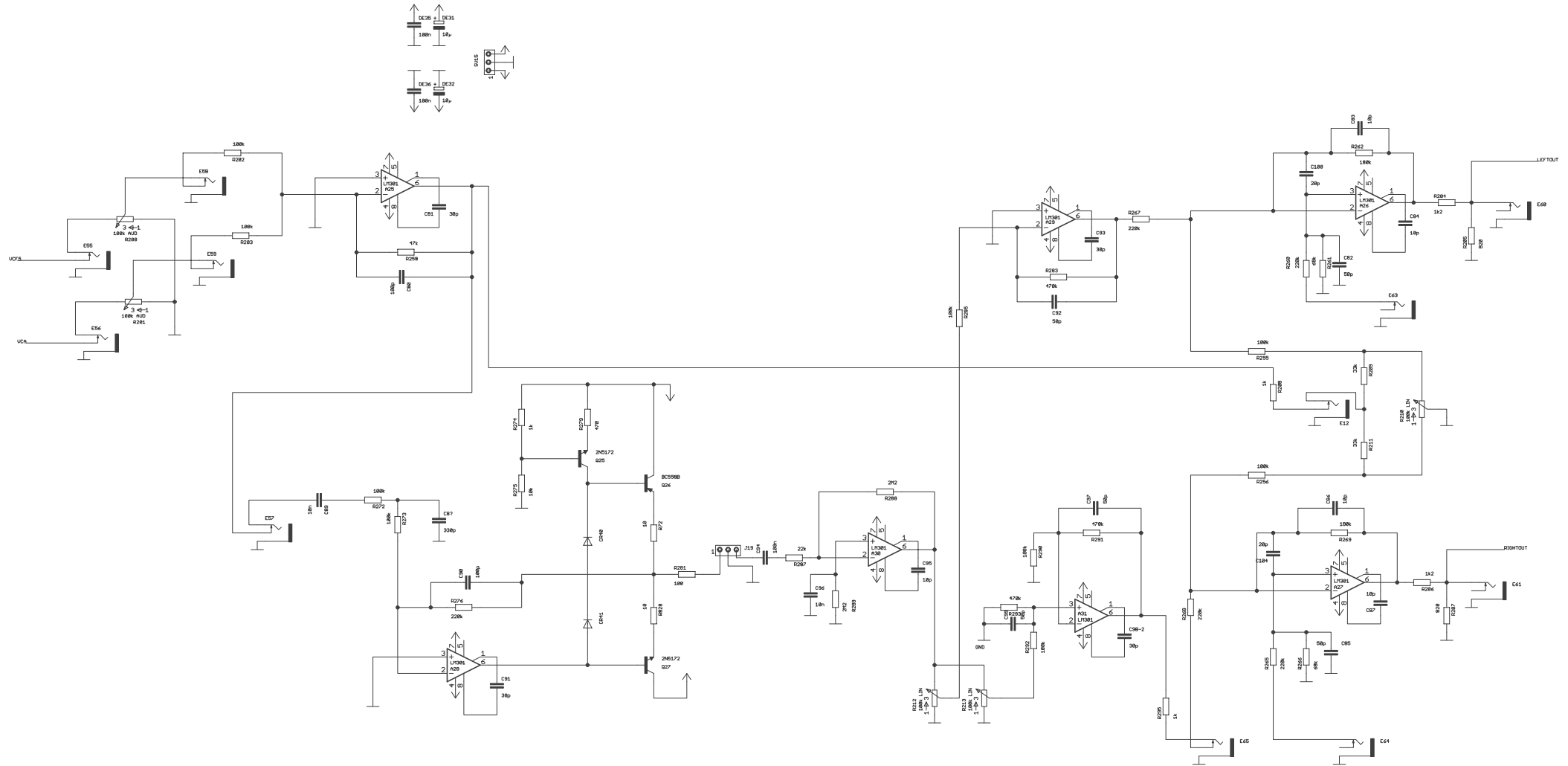
4012

# ADSR & AR





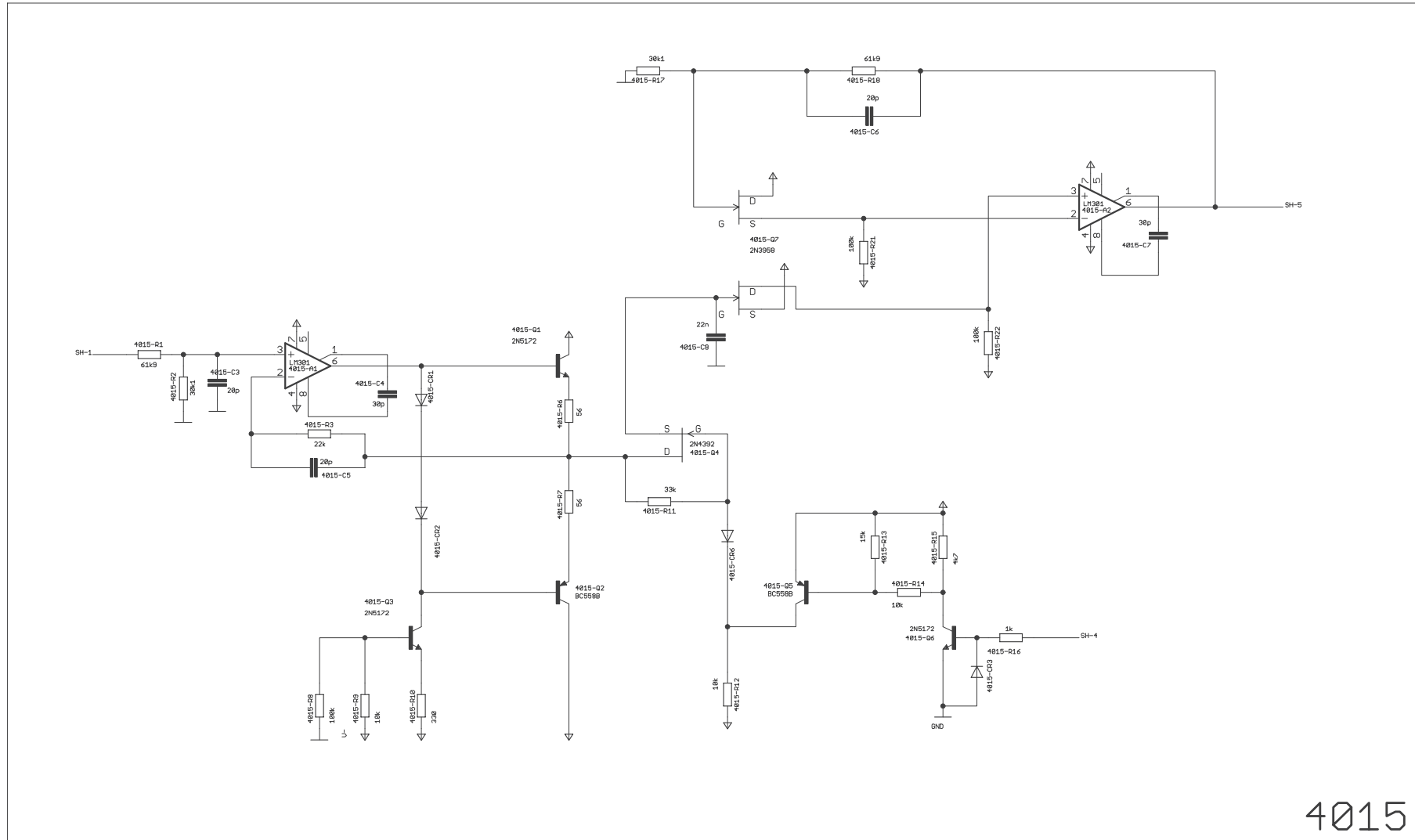
# MIXER & SPRING REVERB



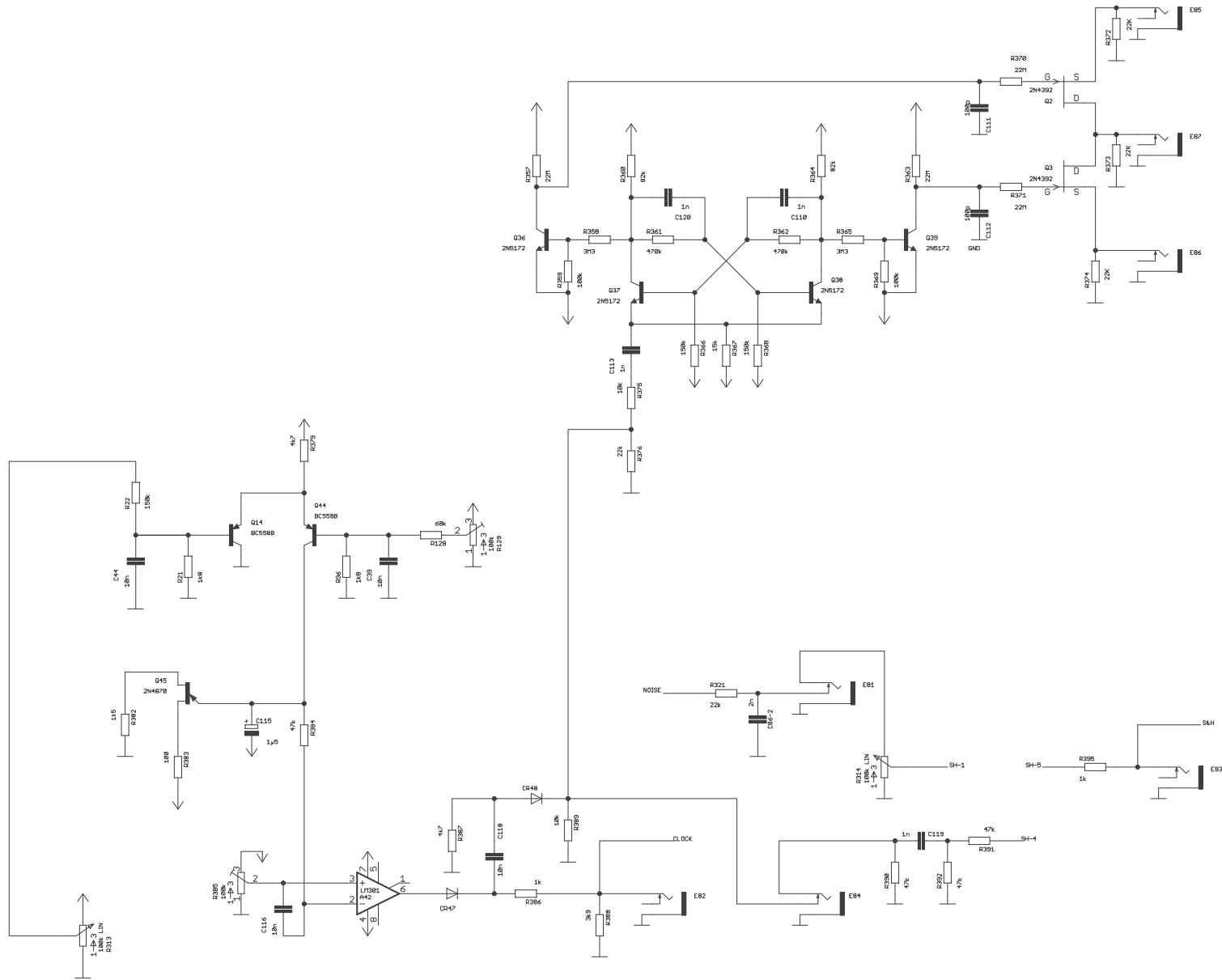




# SAMPLE AND HOLD

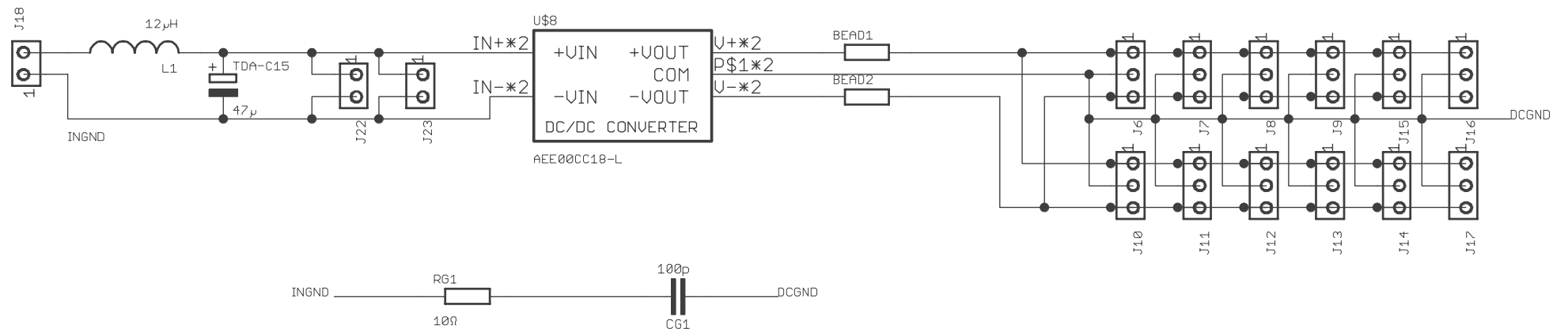


# INTERNAL CLOCK & ANALOG SWITCH





# POWER SUPPLY



# LED DRIVER & LEDS

