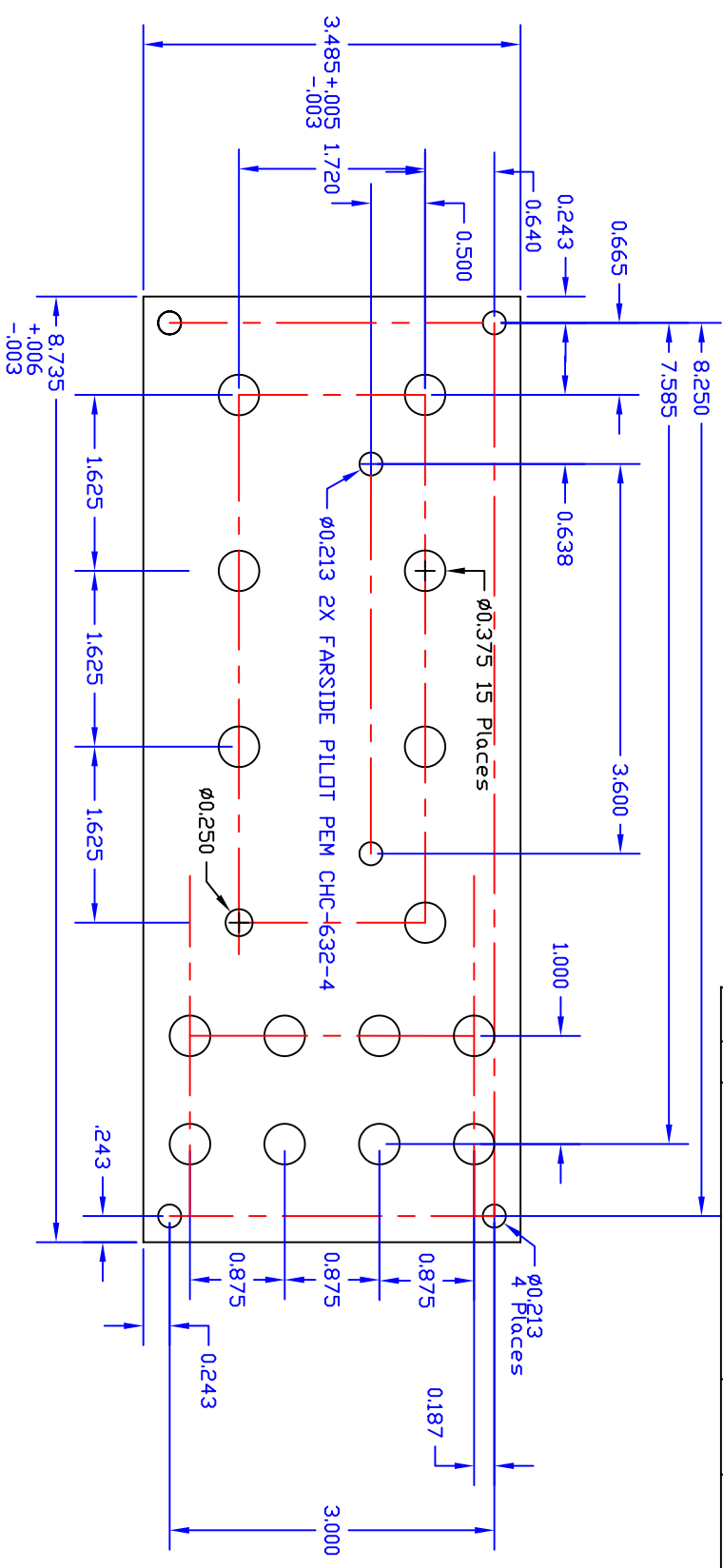


REVISIONS				
ZONE	REV	DESCRIPTION	DATE	APPROVED
		FOR PRODUCTION	9/29/99	



MATERIAL		SYNTHESIS TECHNOLOGY	
.125 ALUMINUM		6625 QUAIL RIDGE DR. FORT WORTH, TX 76180 817-498-3782	
SIZE	SCALE	DWG NO.	REV
B	9/29/99	MOTM-440	A
		SHEET	1 OF 1

1. REMOVE BURRS & SHARP EDGES.
2. FRONT SIDE IS TIMESAVER FINISH.