

DECKARD'S DREAM



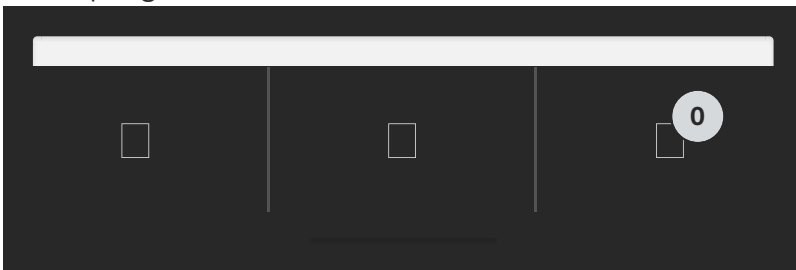
Build

We are working on a build guide – it should be online next days.

Please download the **BILL OF MATERIALS REV1.1.0** and **FIRMWARE REV1.2.5**

For REV2.1 kits please use **BILL OF MATERIALS REV2.1**, firmware is same.

to program the unit:



on – unit should start in USB device

ould mount as a flash drive, format it

as FAT32, put both firmware and presets file to

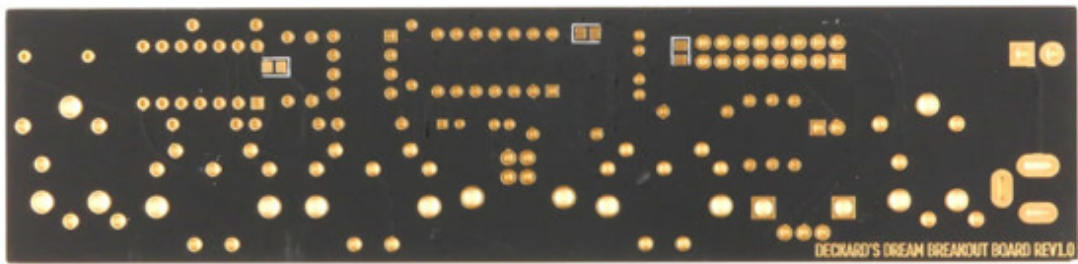
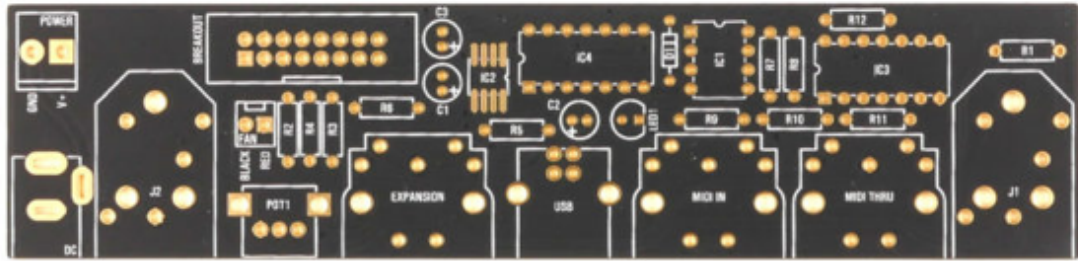
4. reboot the DD, get to settings (SHIFT + CANCEL), then perform a reset to defaults, then get to calibration menu, calibrate sliders first and oscillators after.

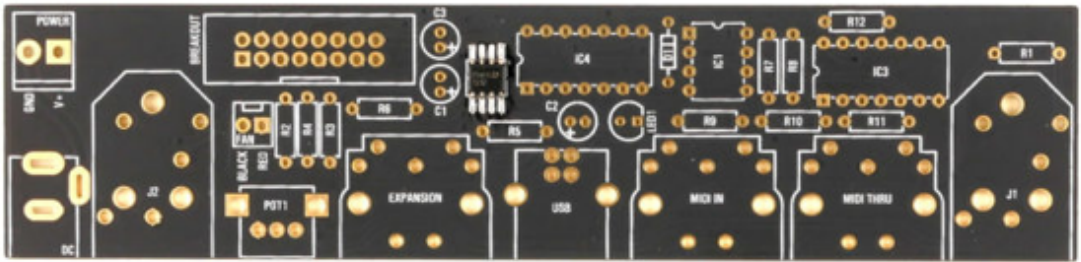
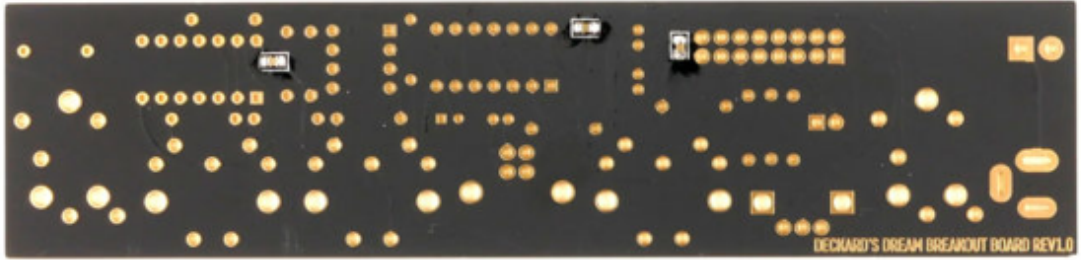
Initial oscillators calibration takes ~15 minutes.

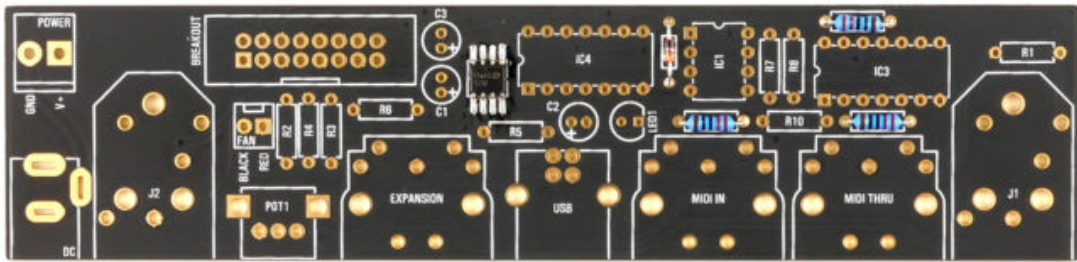
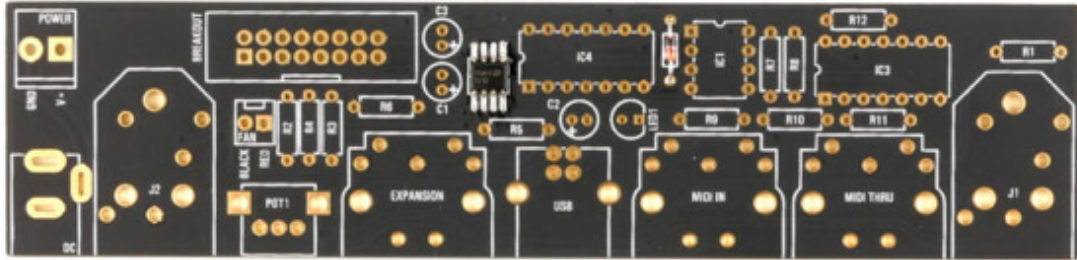
5. Synth should be working

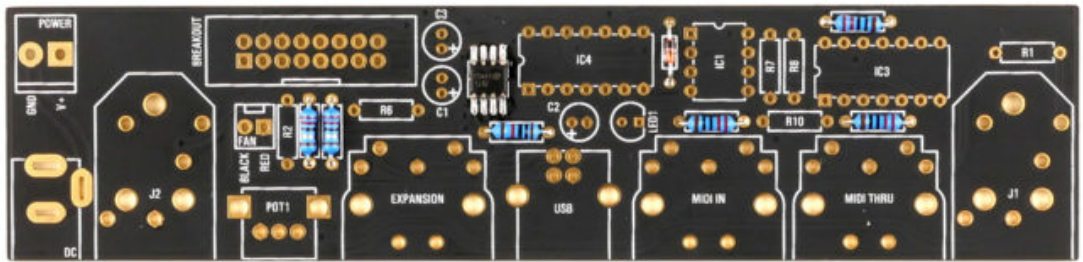
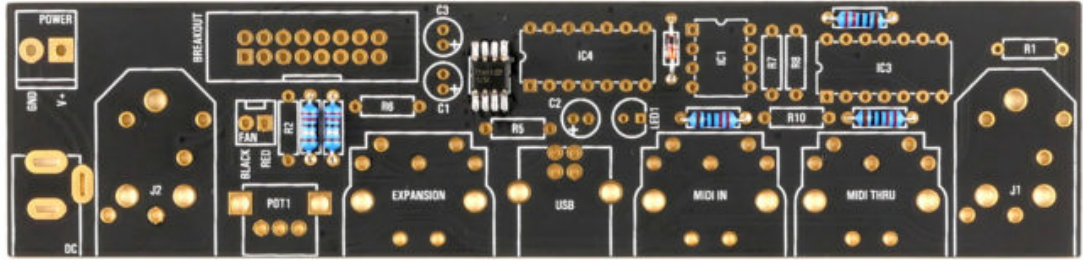
synthCube has full parts kits **in stock**.

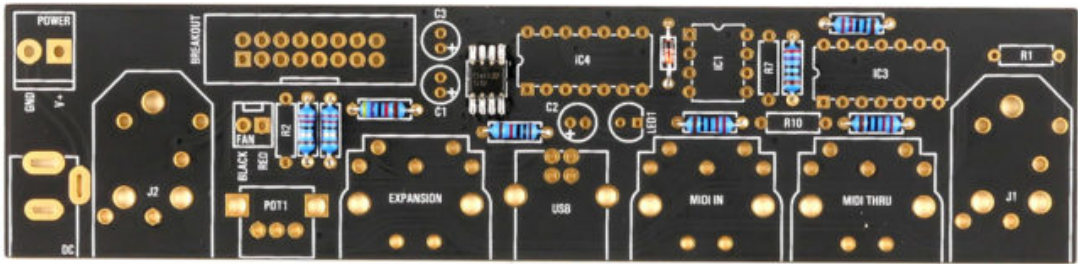
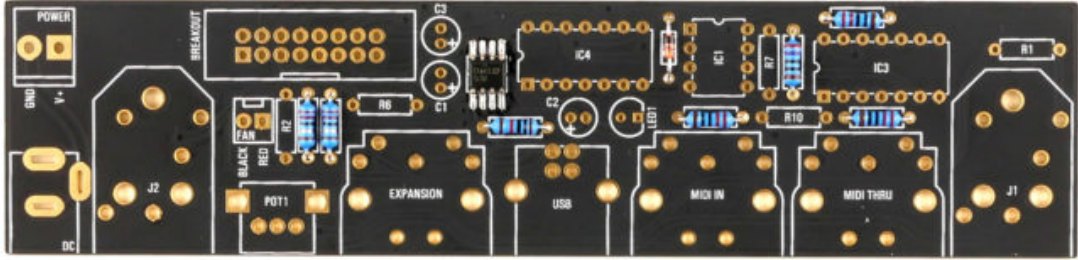
BREAKOUT BOARD

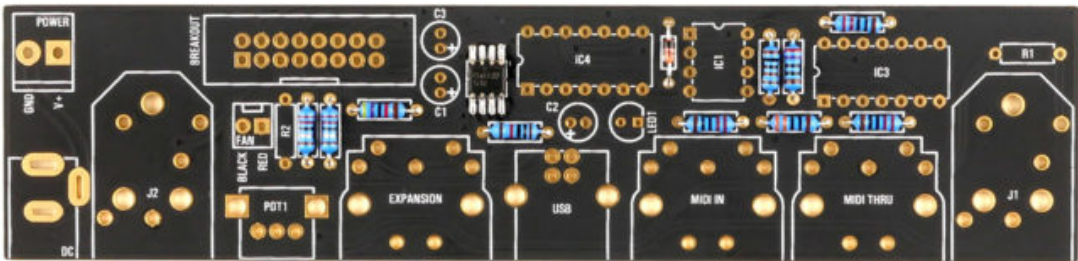
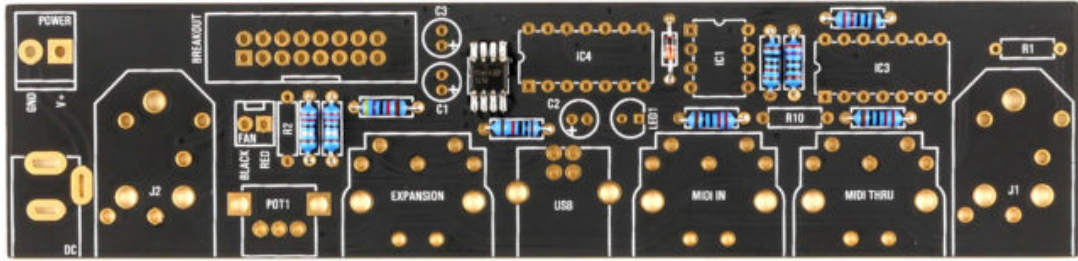


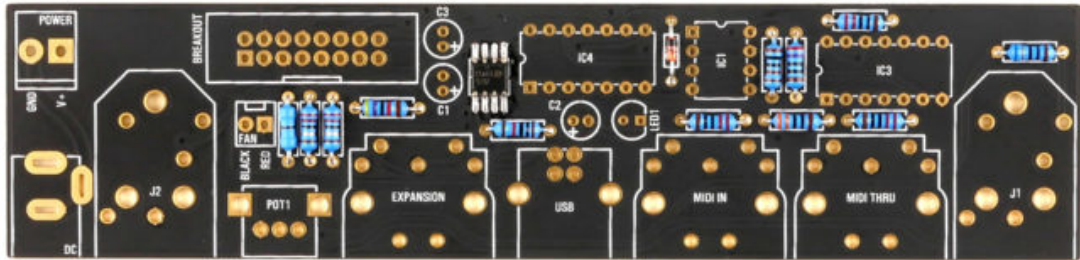
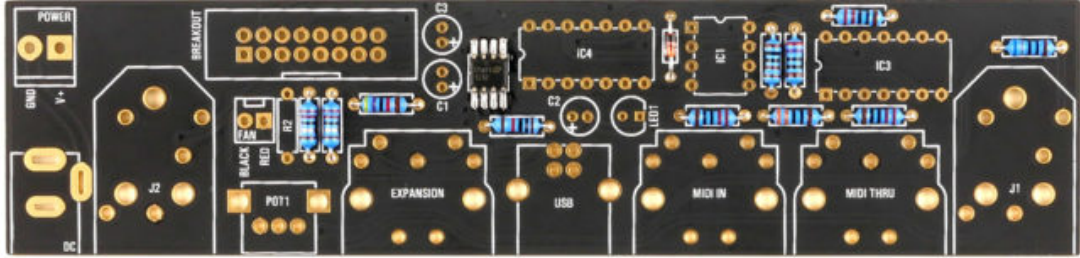


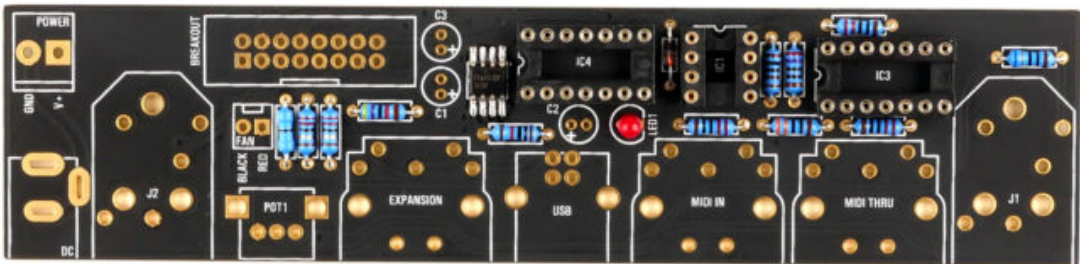
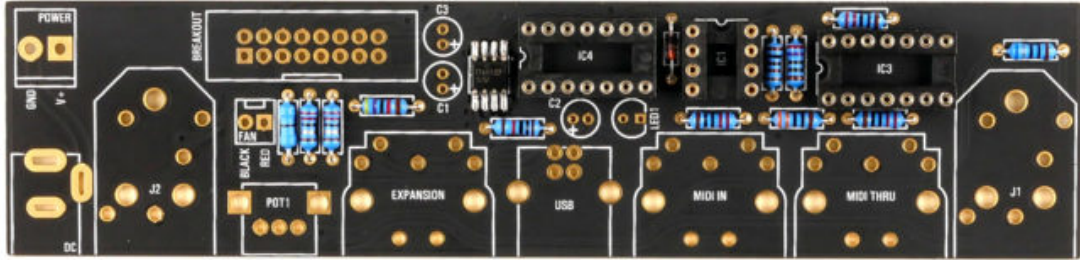


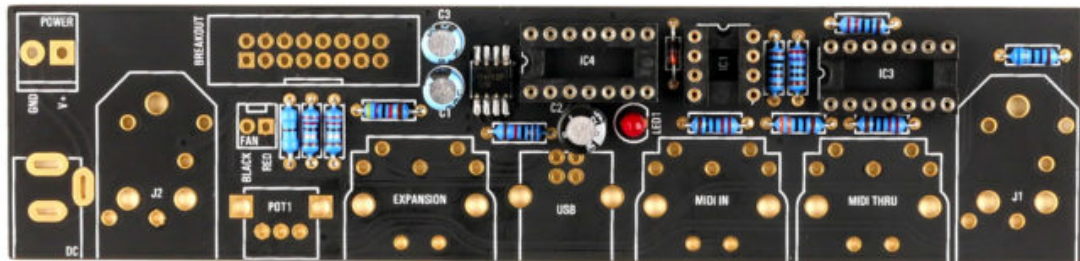
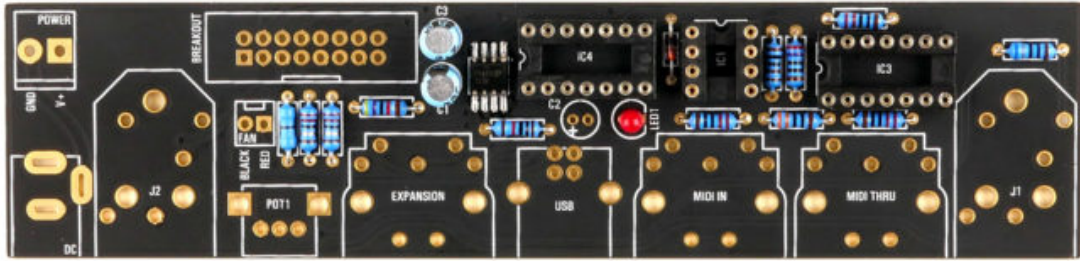


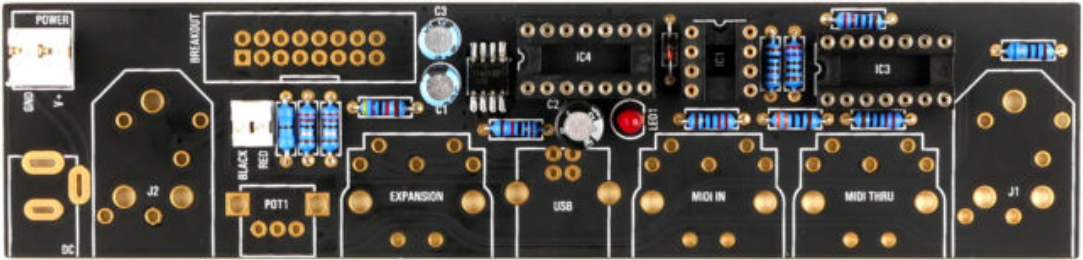
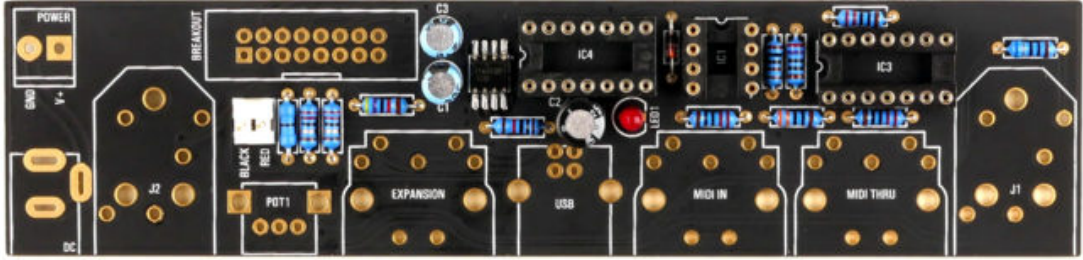


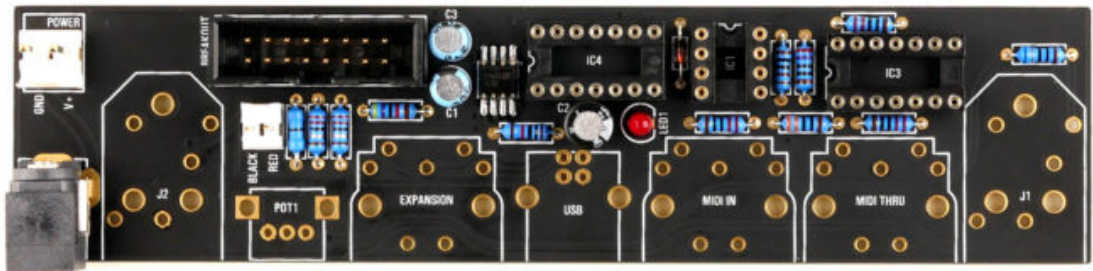
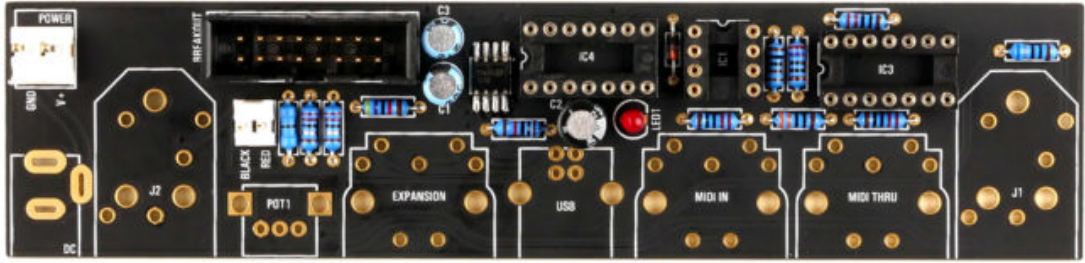




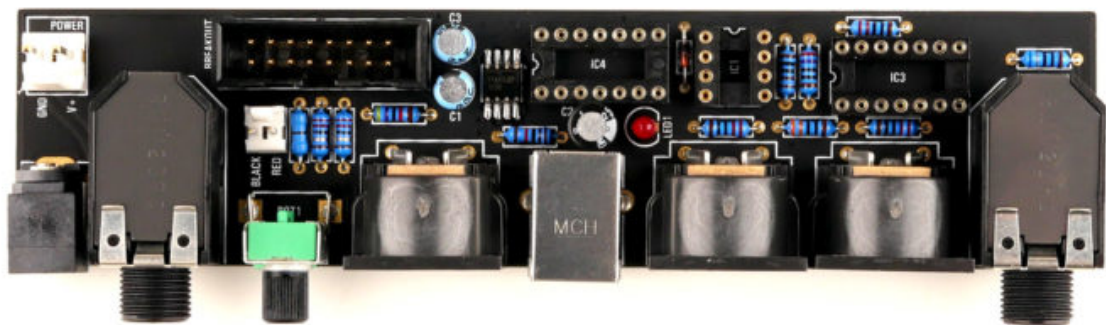




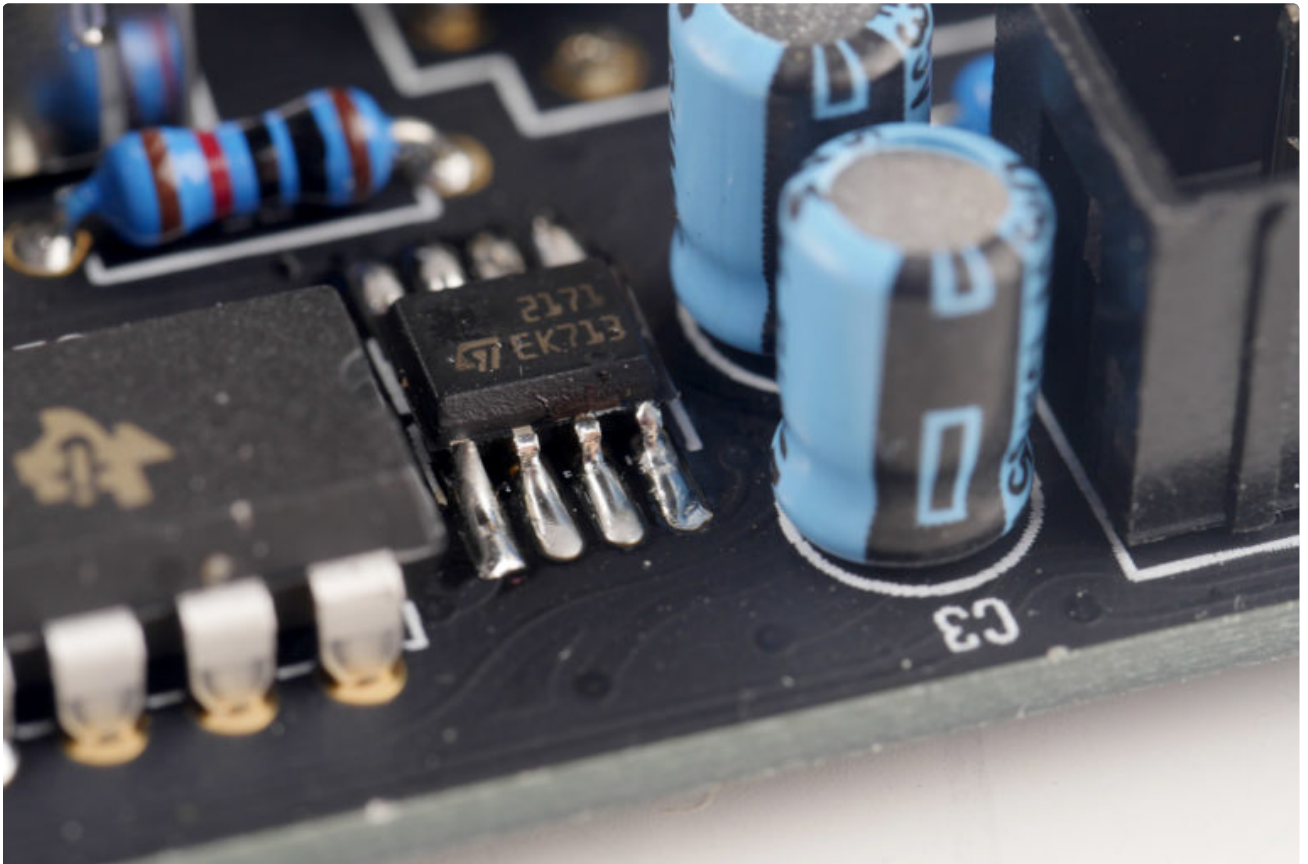


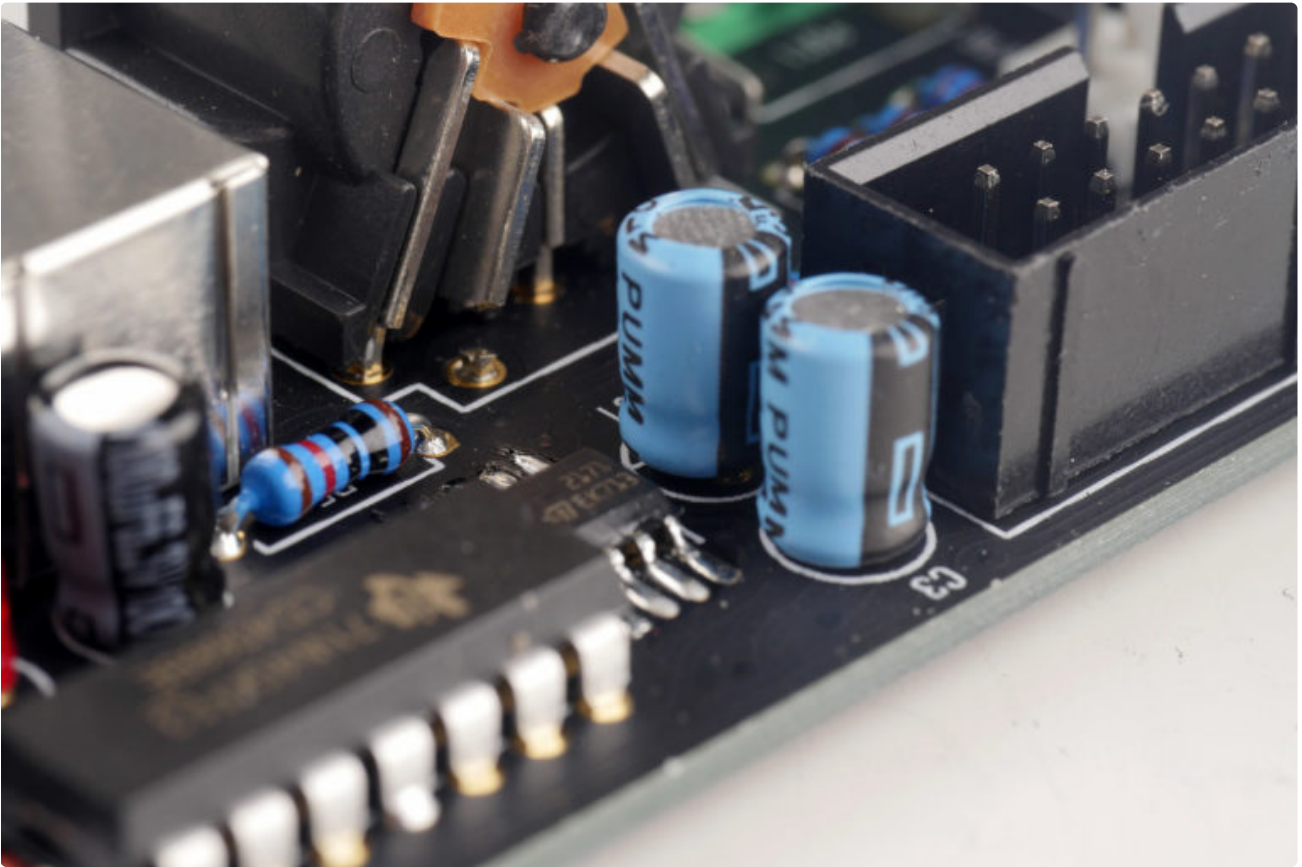




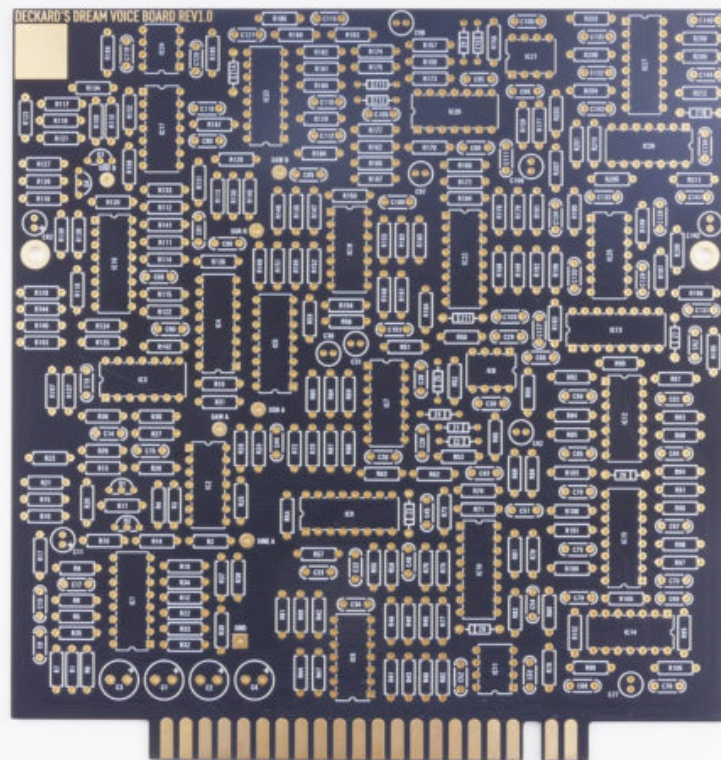


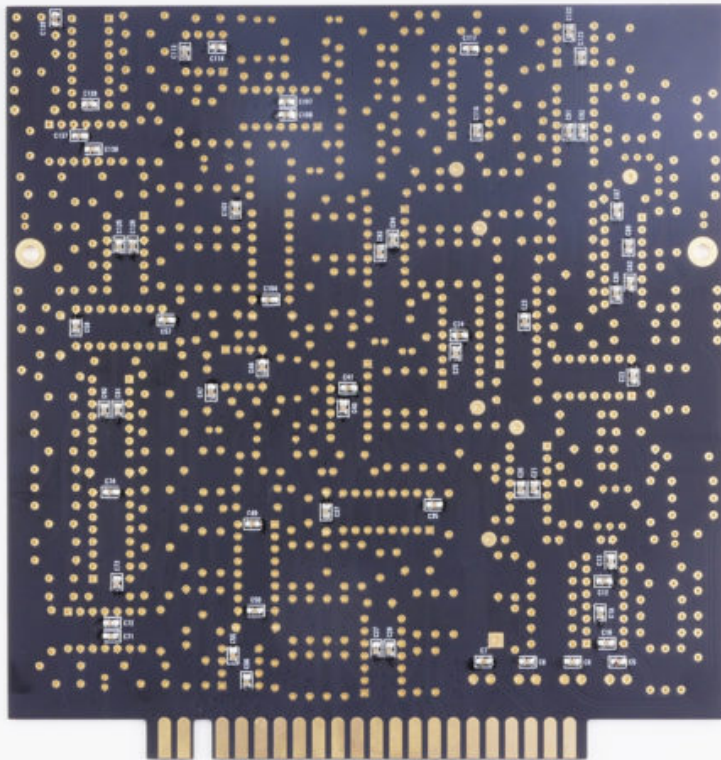
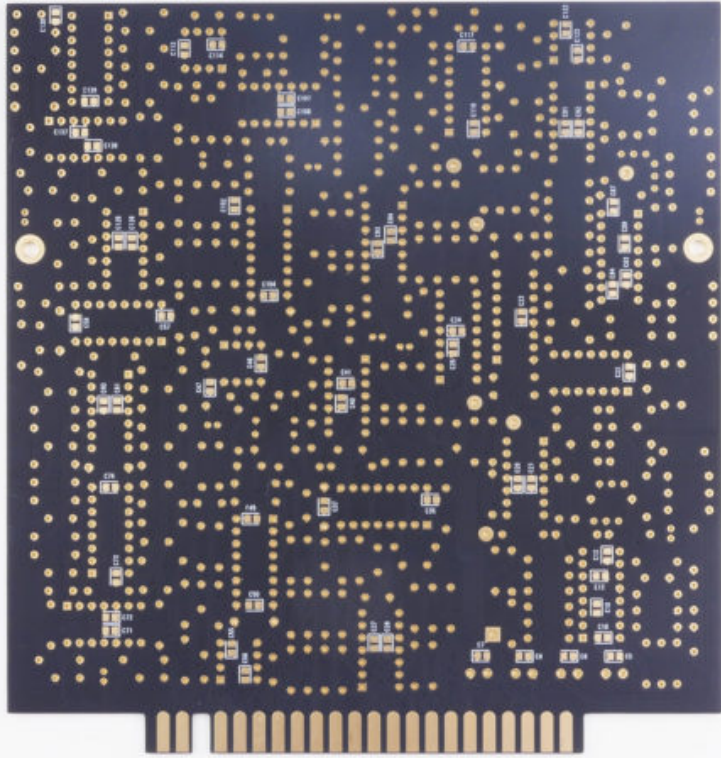


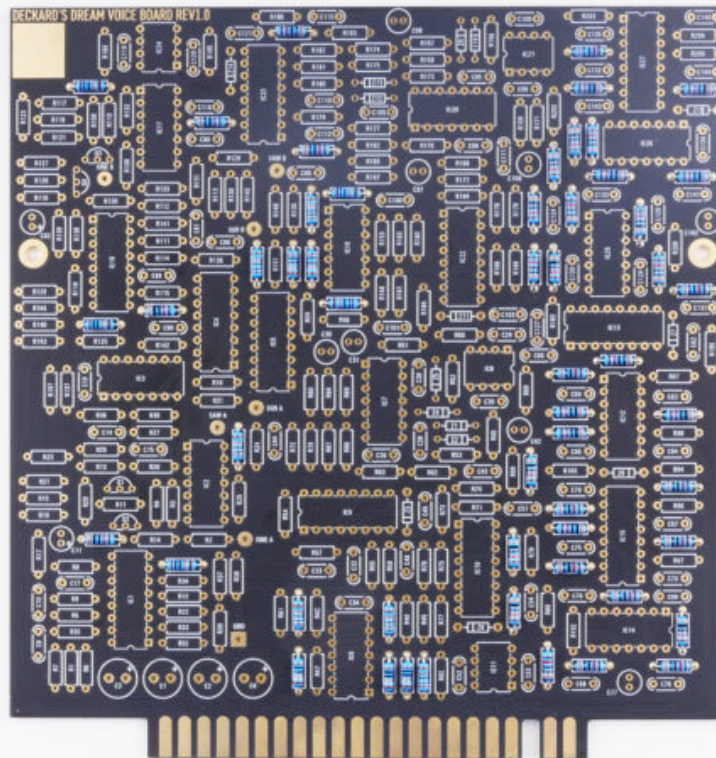
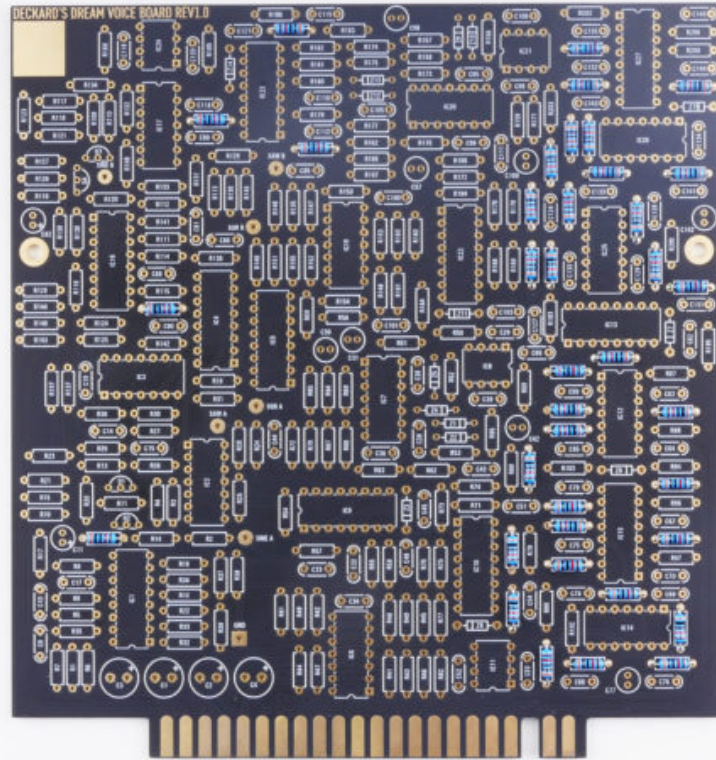


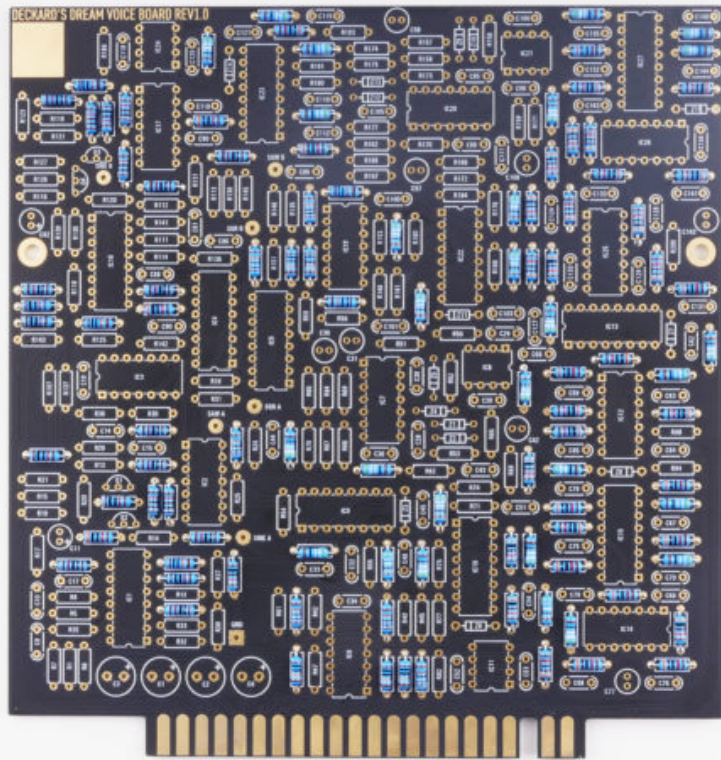
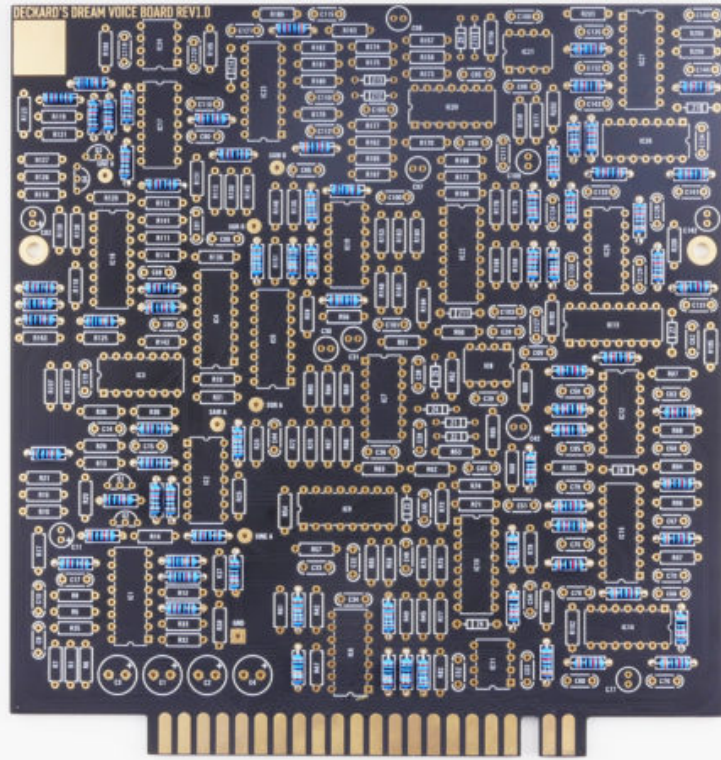


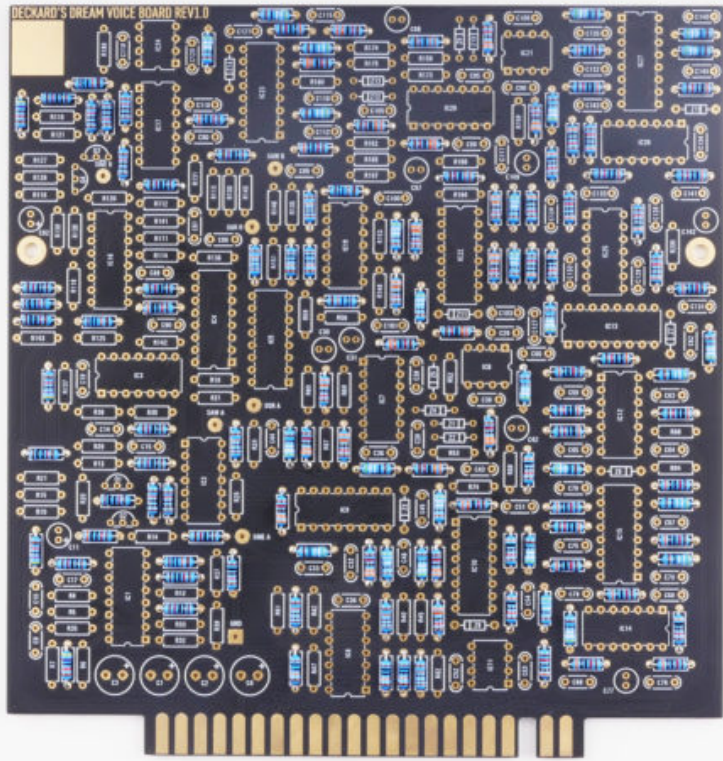
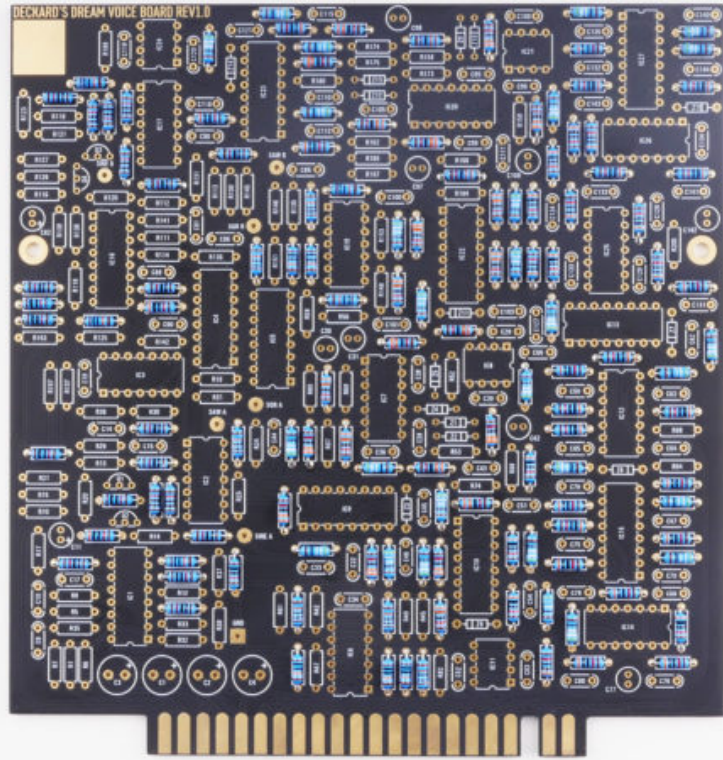
VOICE BOARD

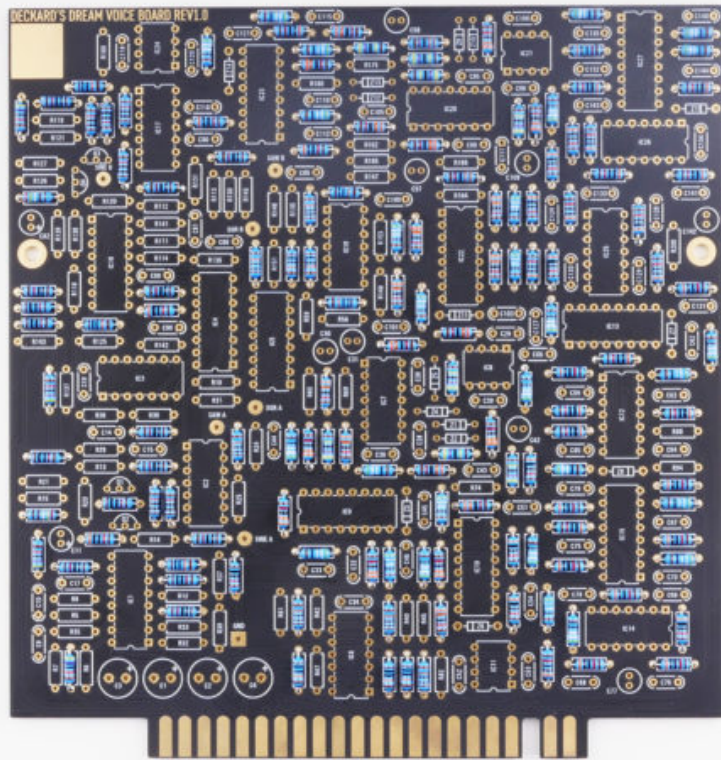
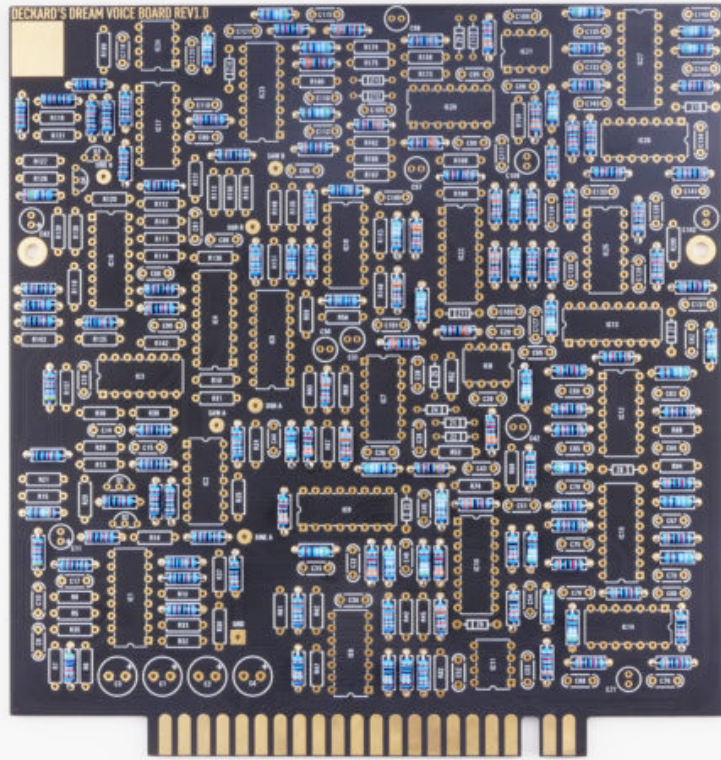


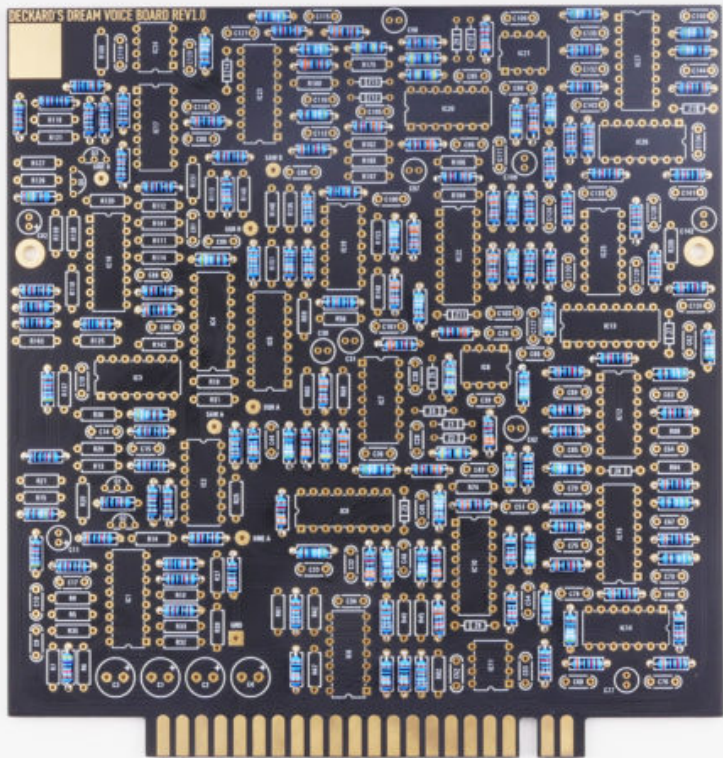
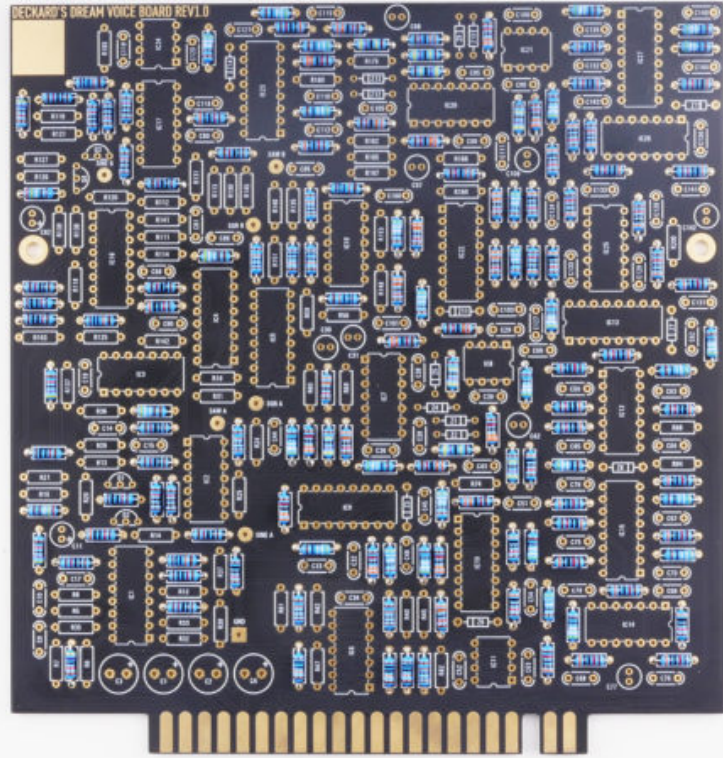


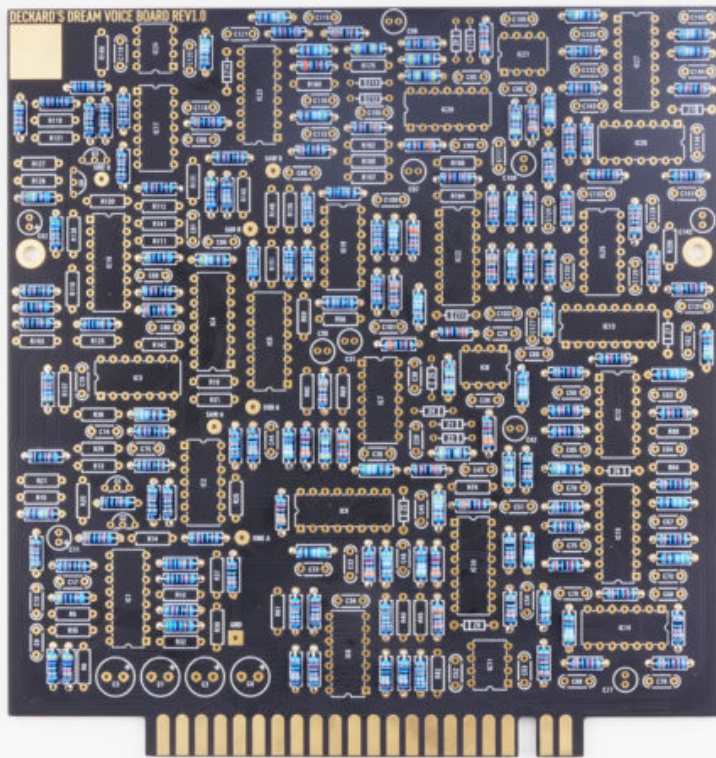
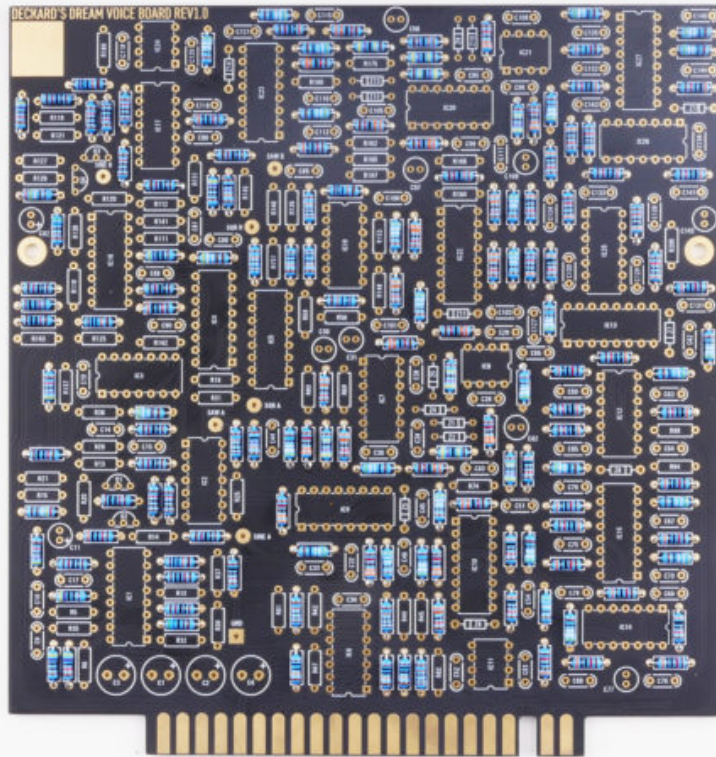


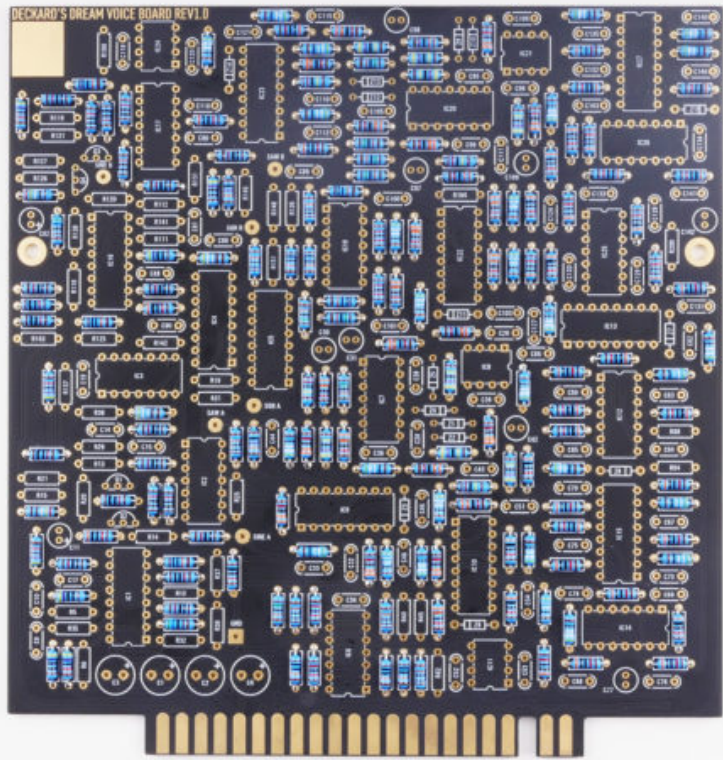
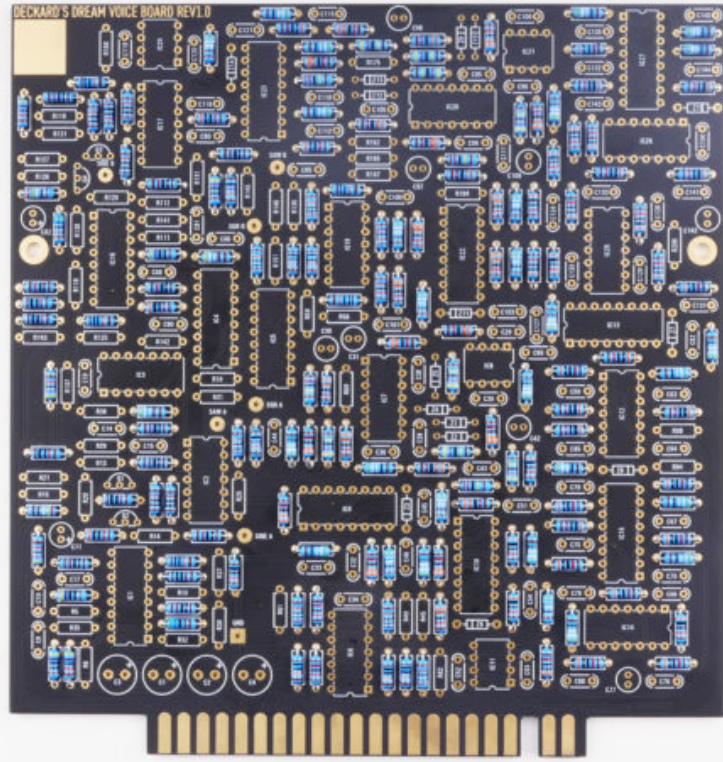


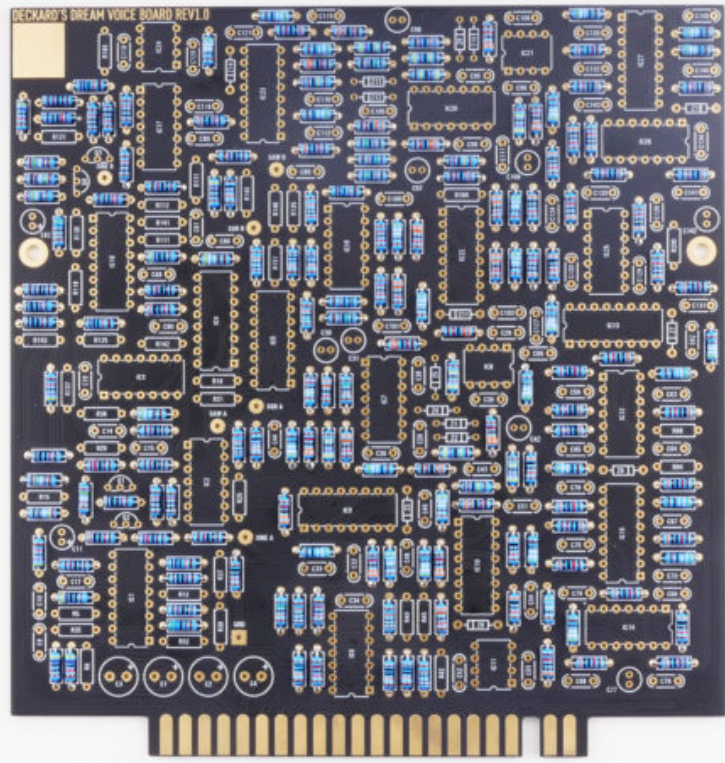
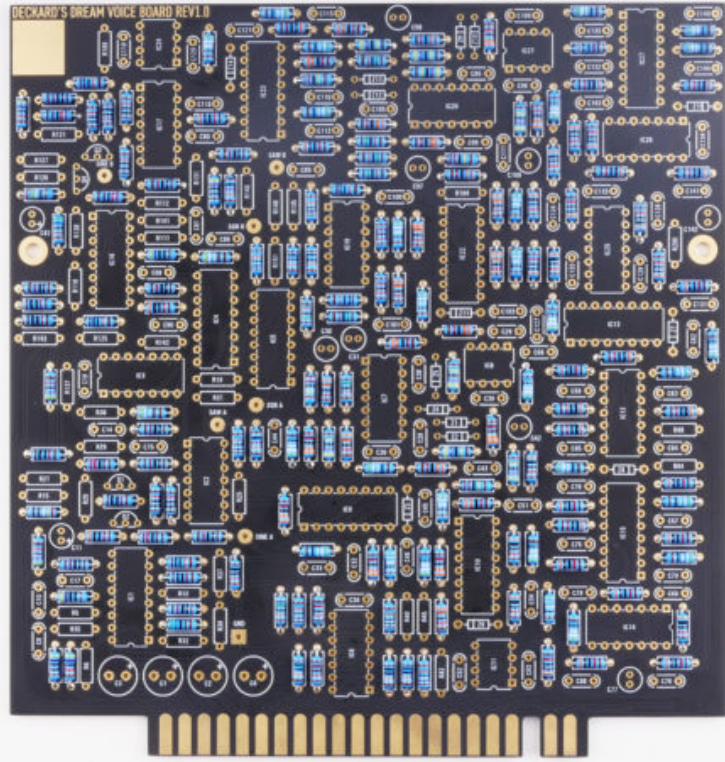


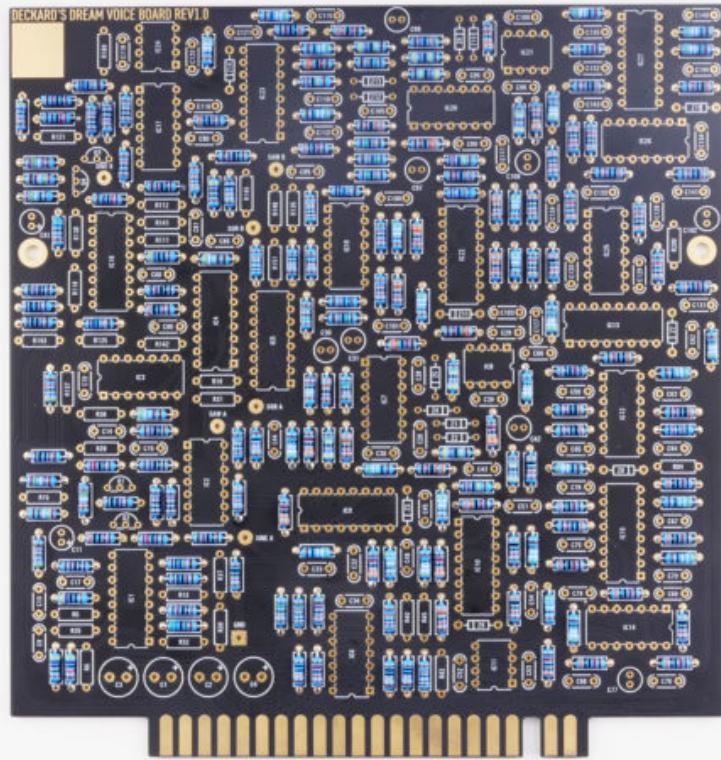
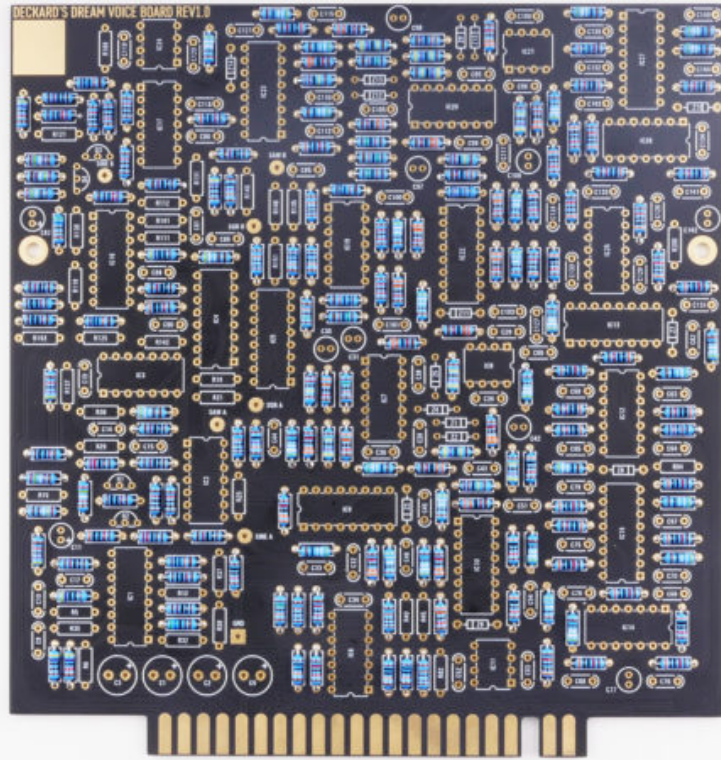


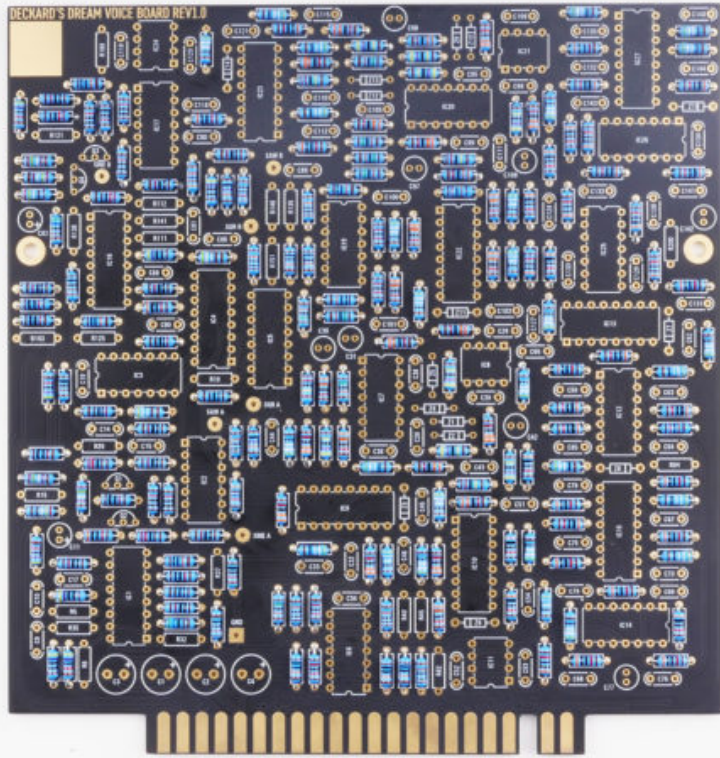
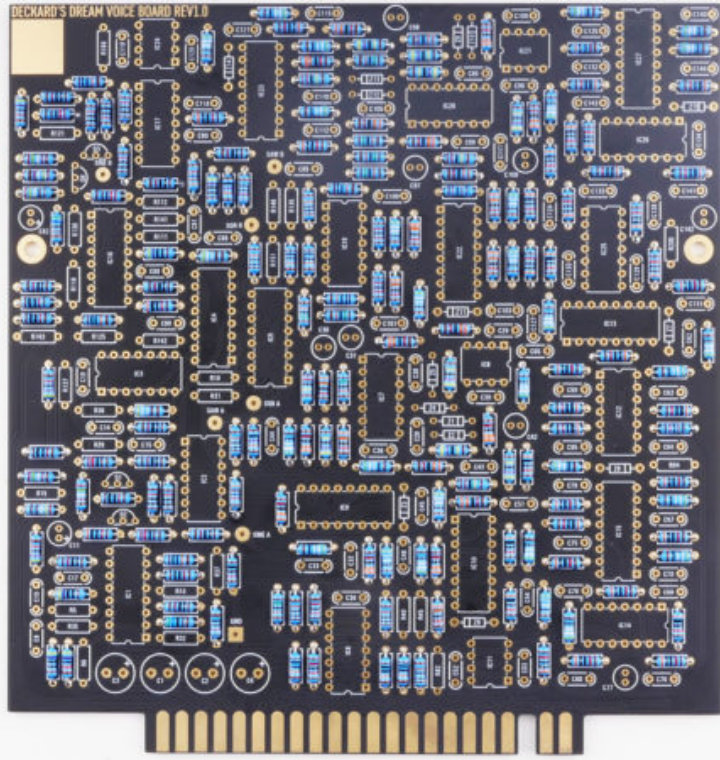


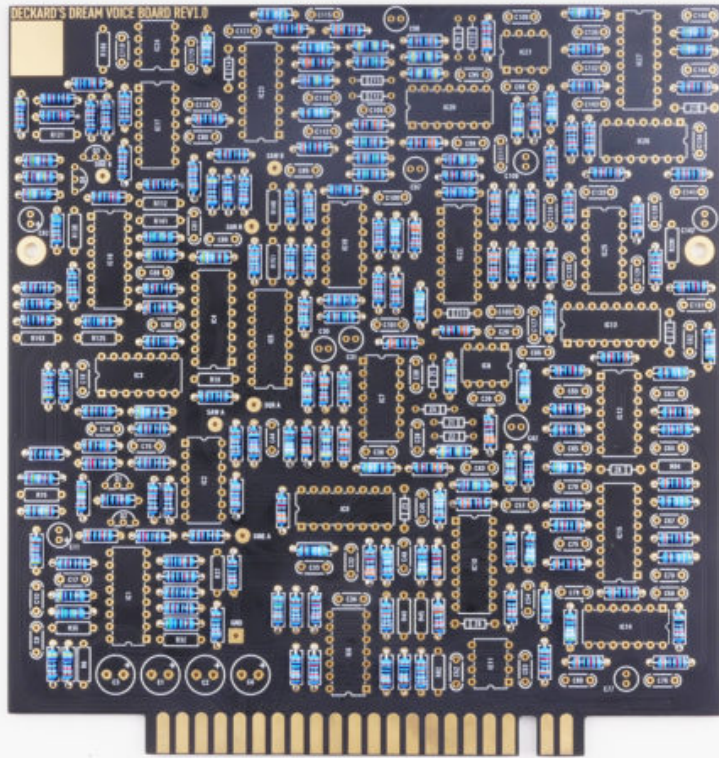
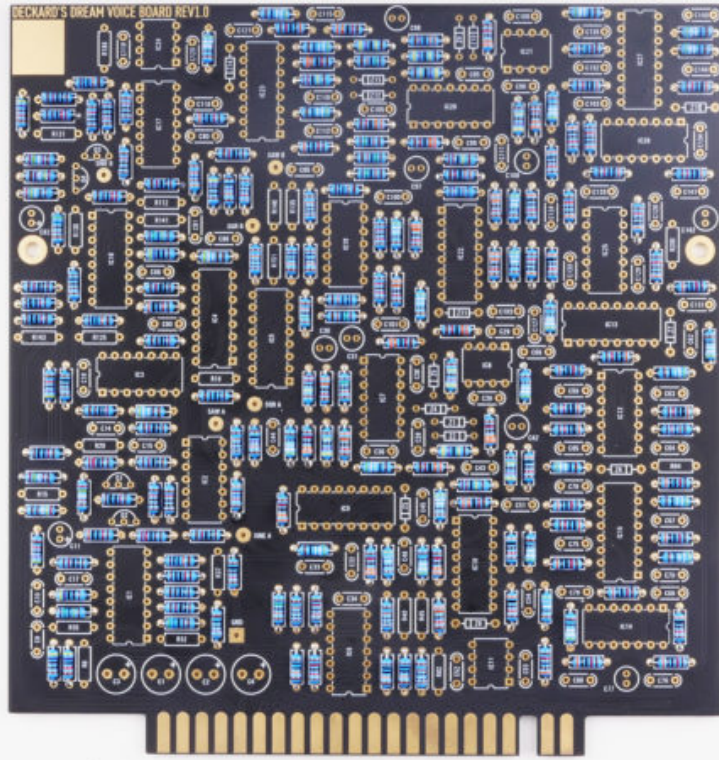


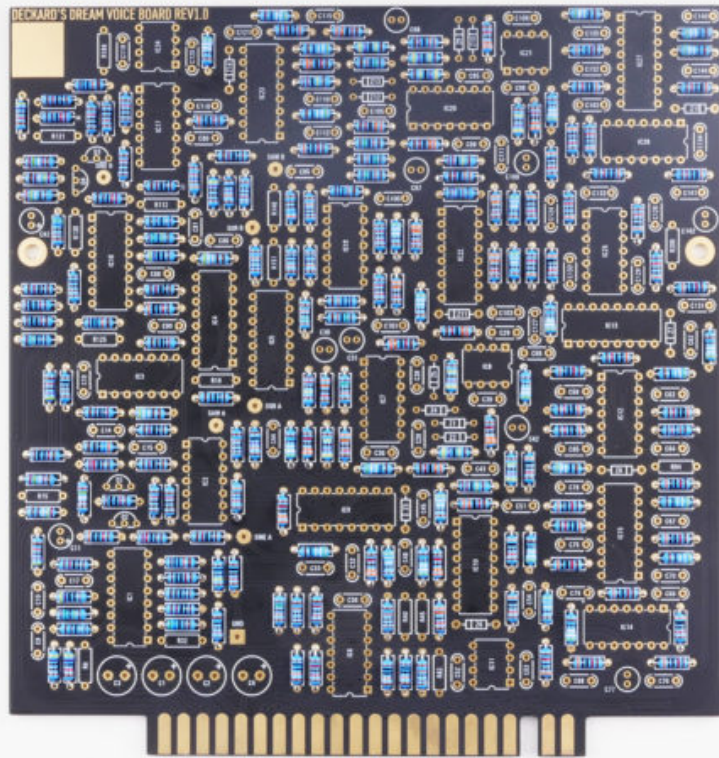
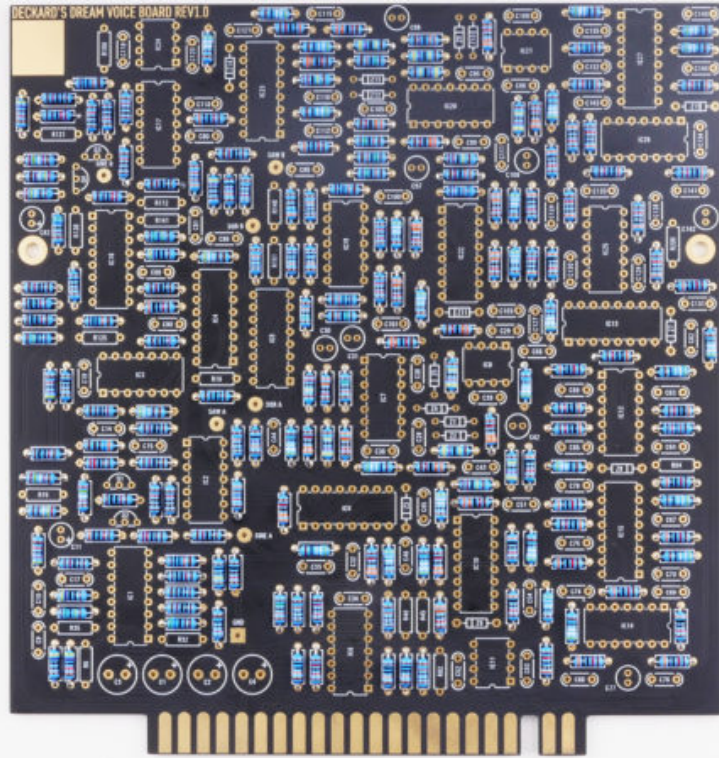


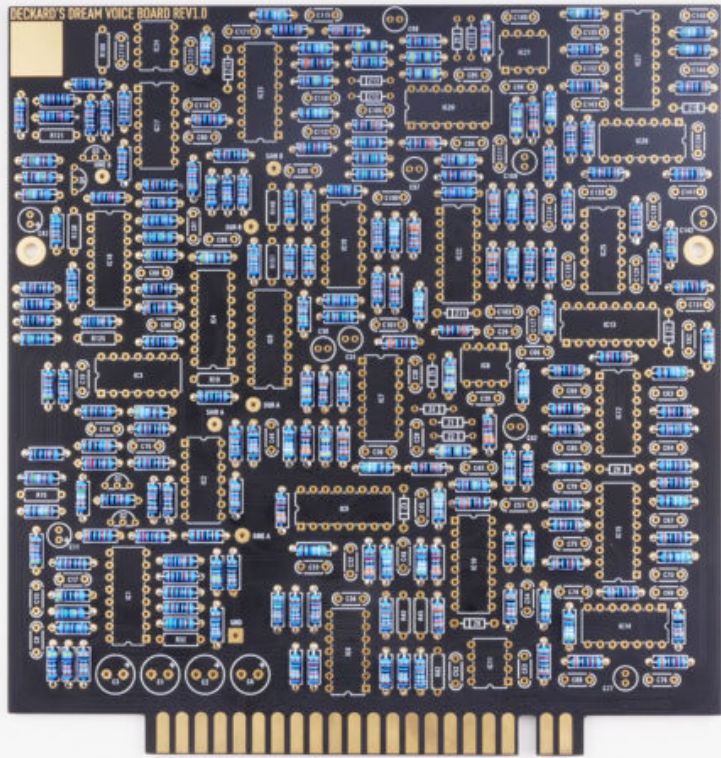
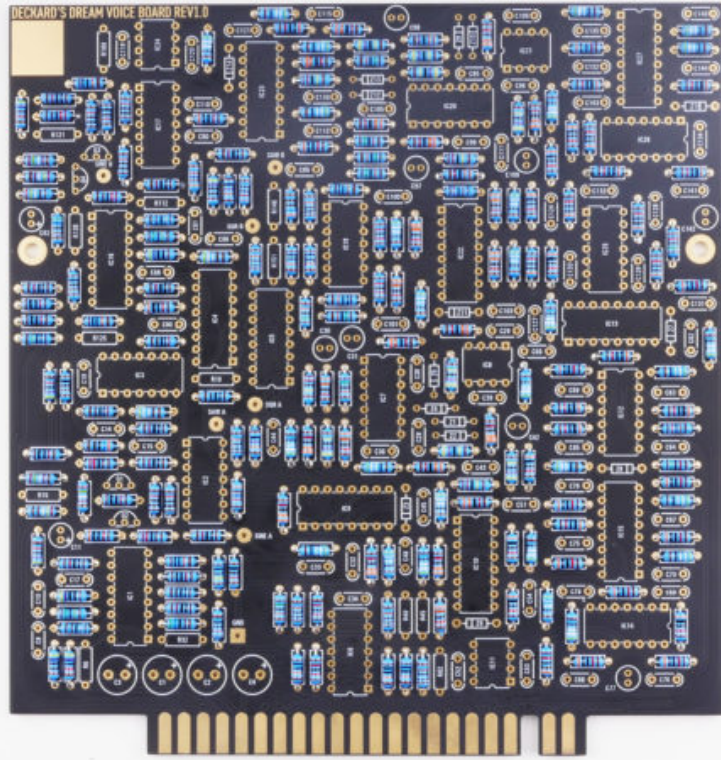


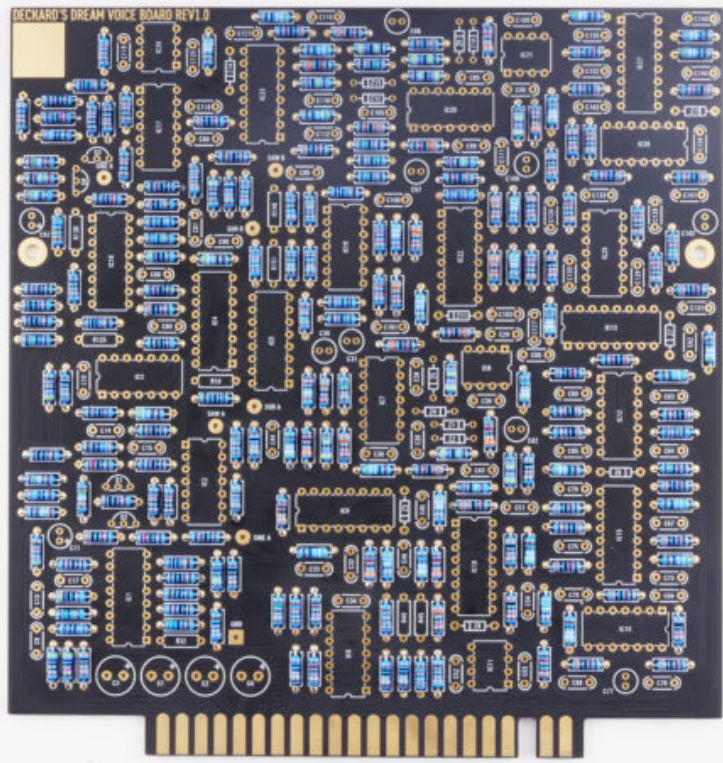
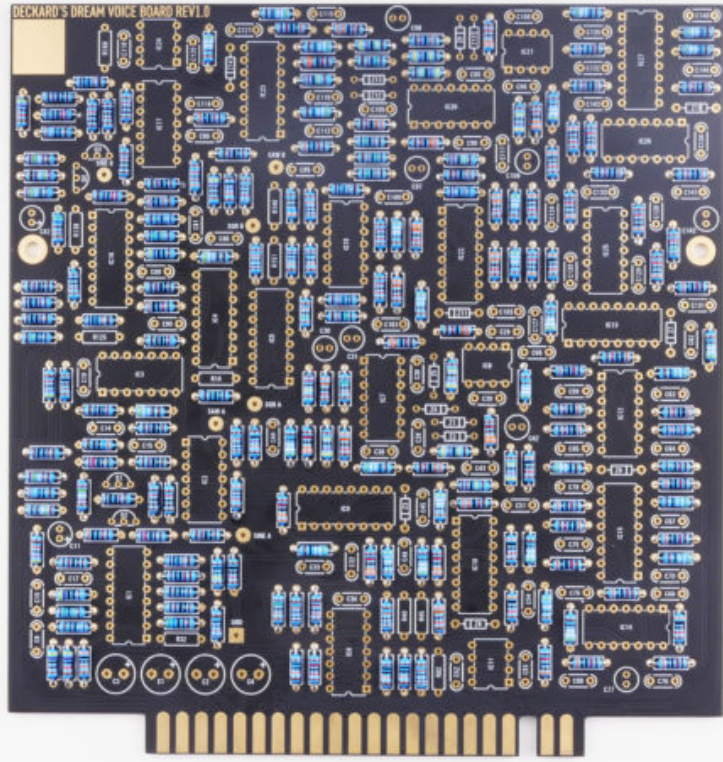


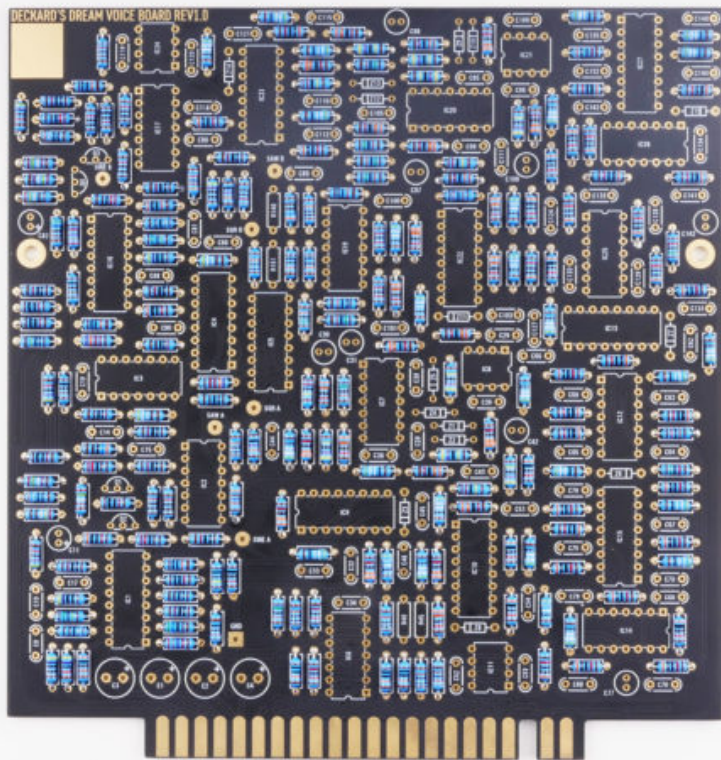
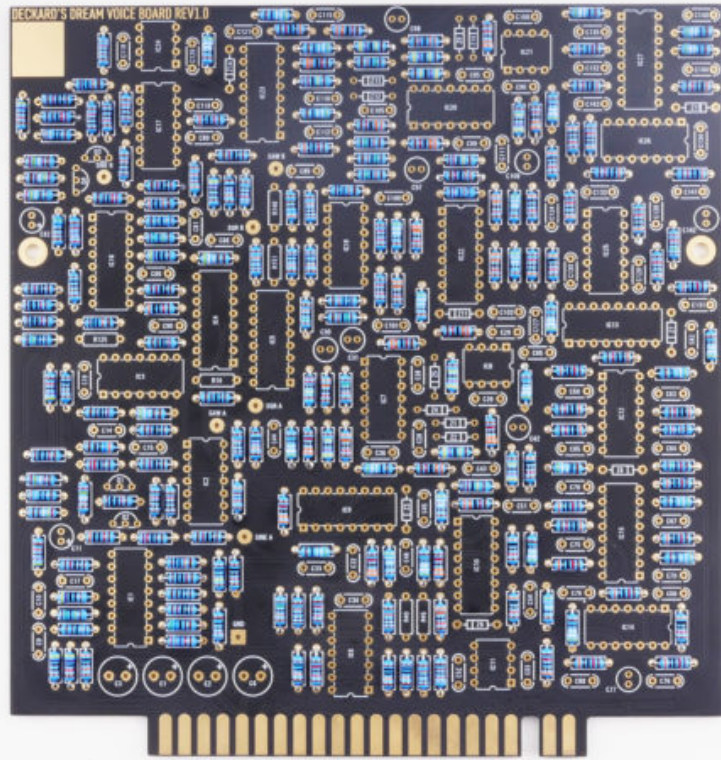


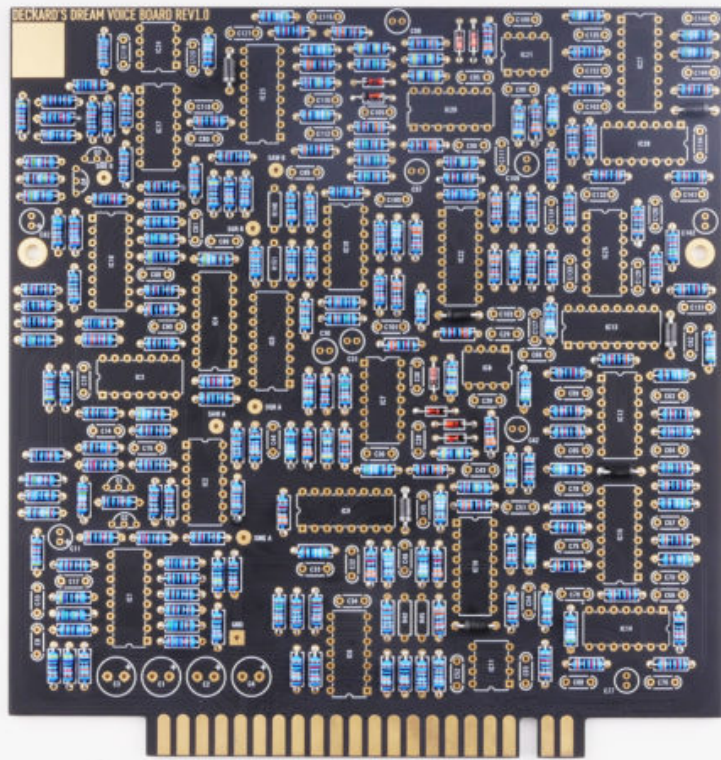
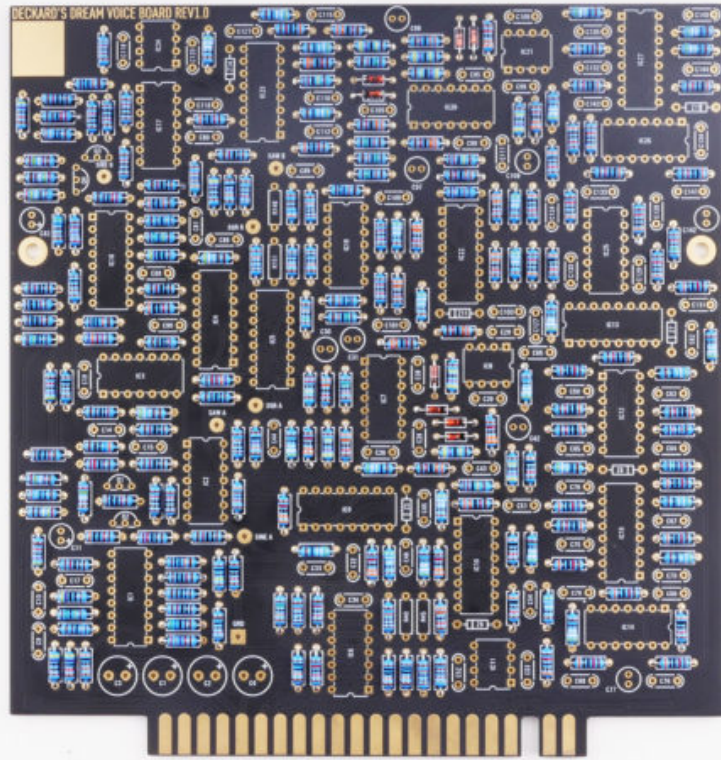


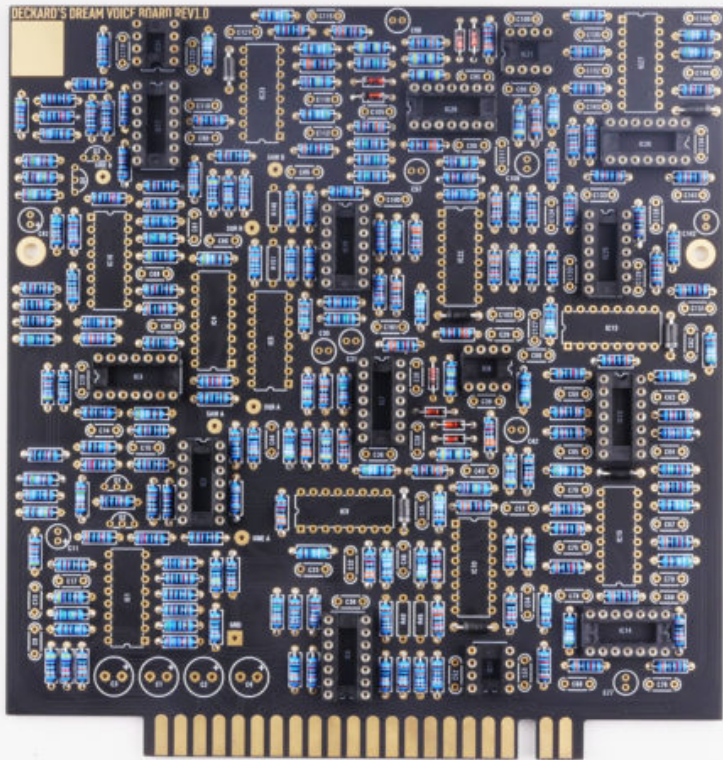
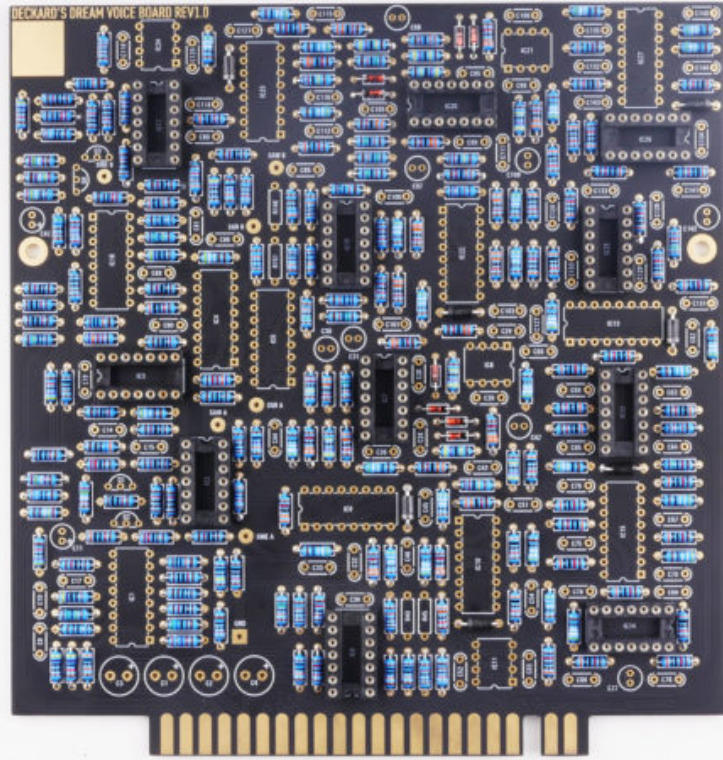


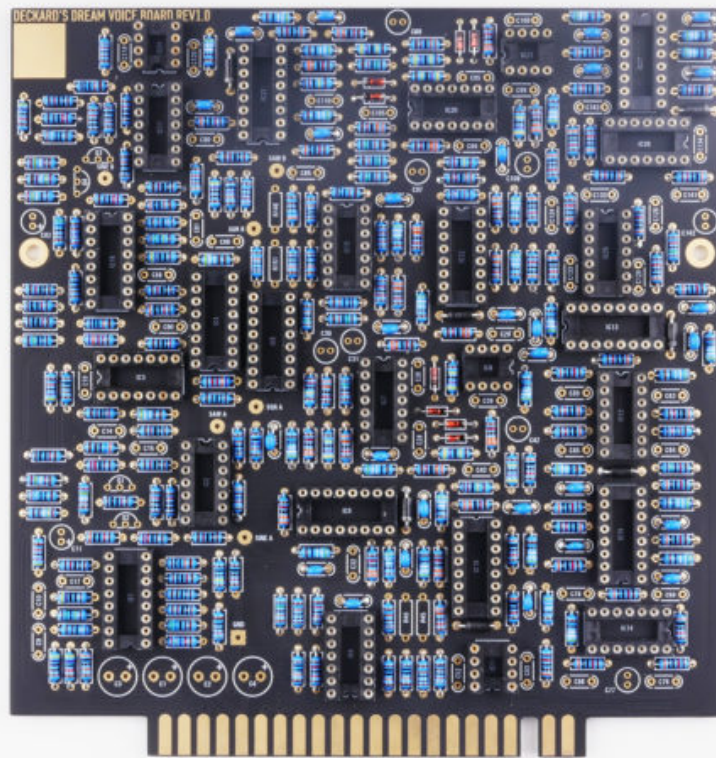
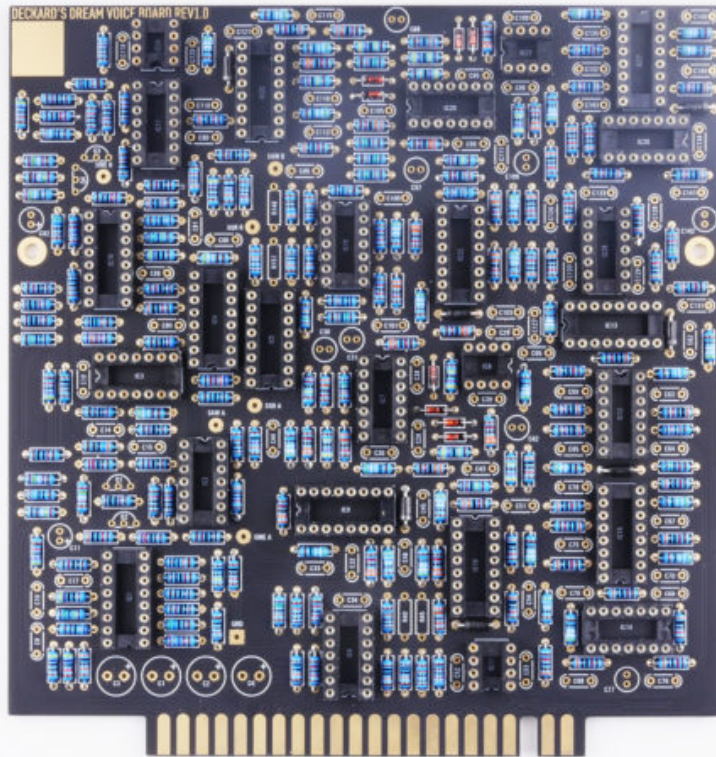


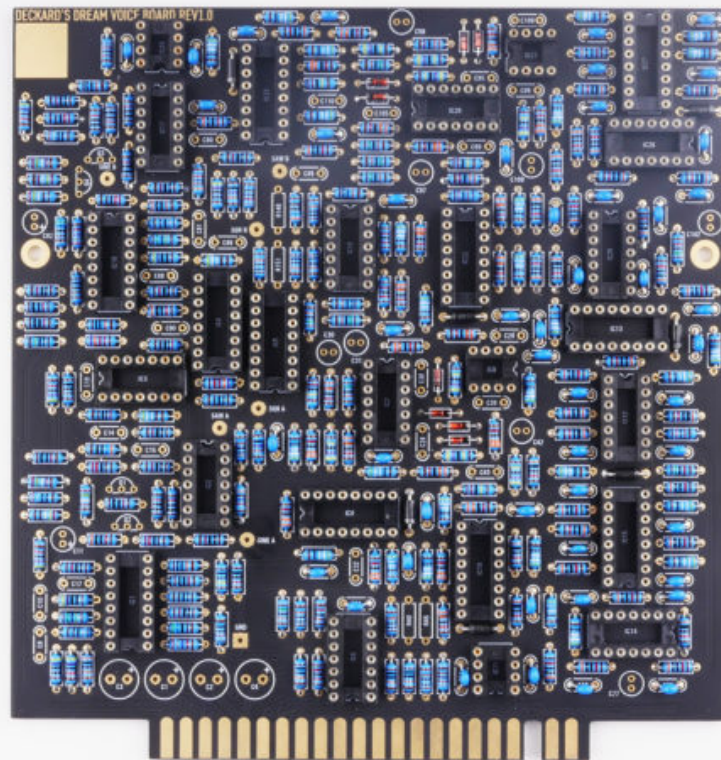
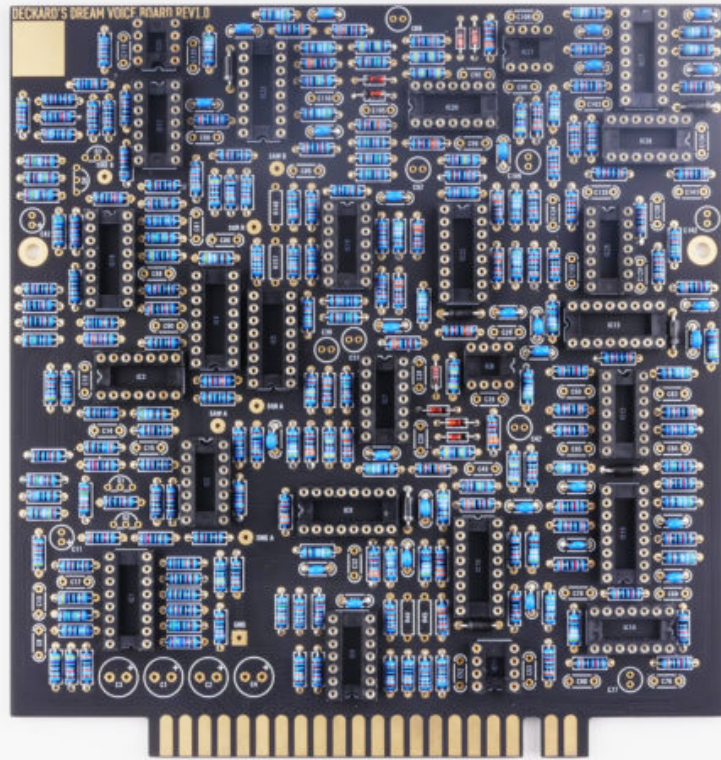


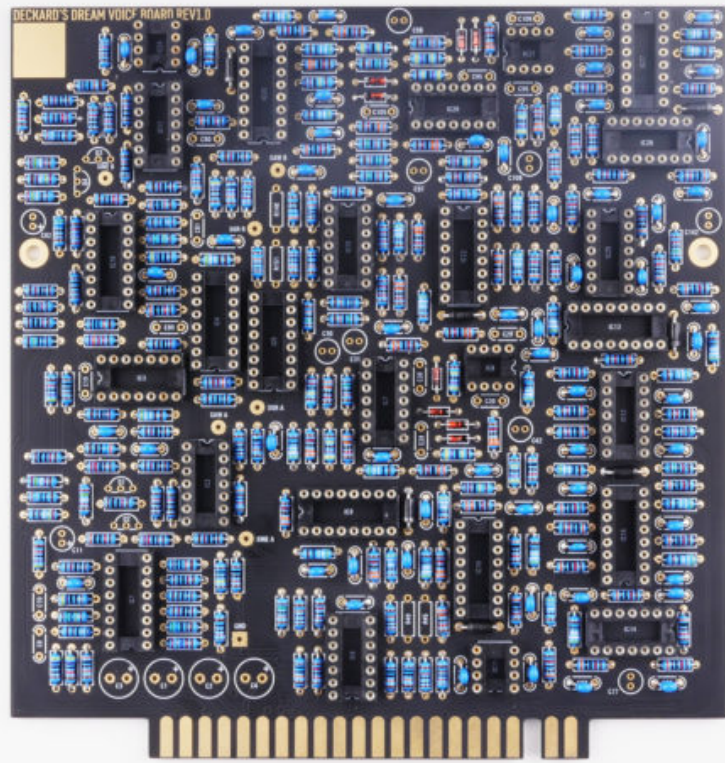
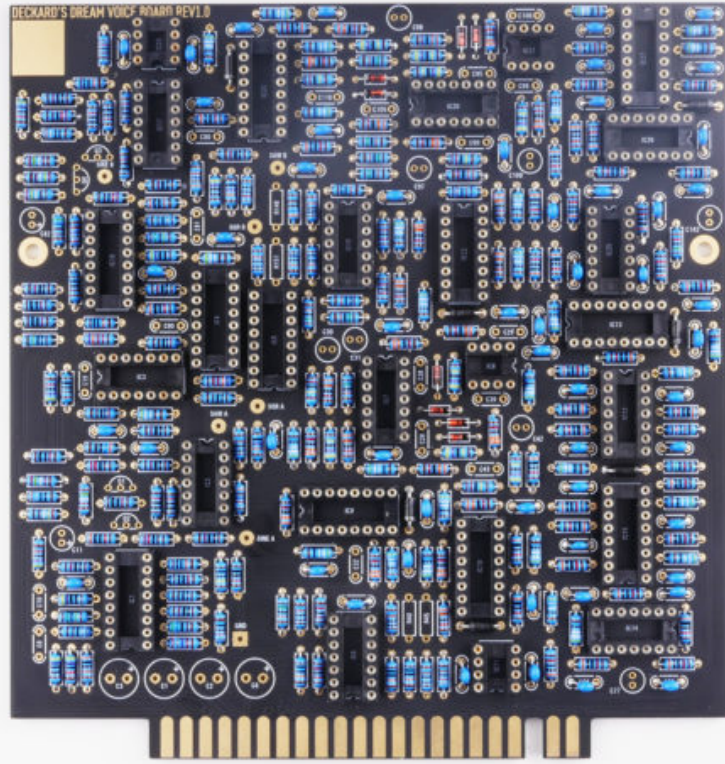


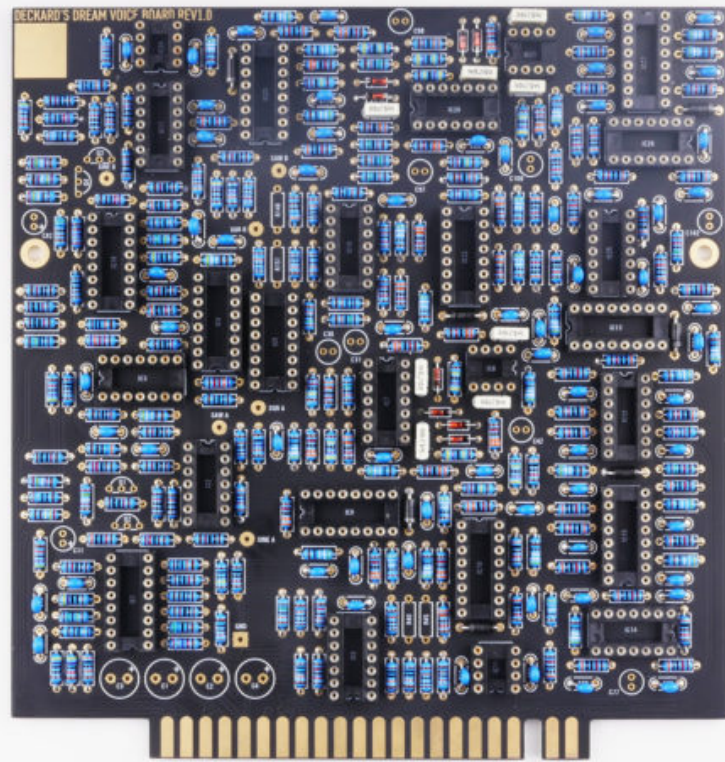
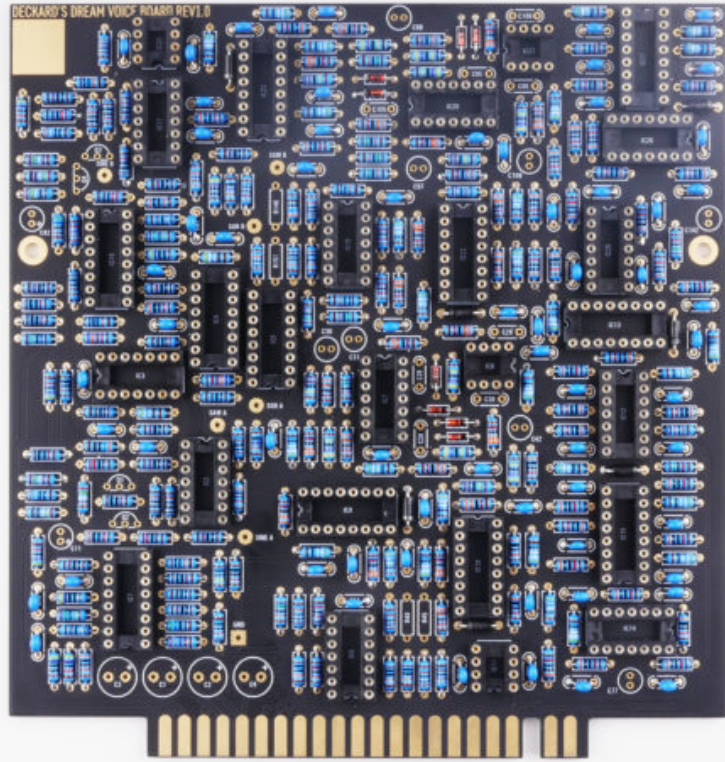


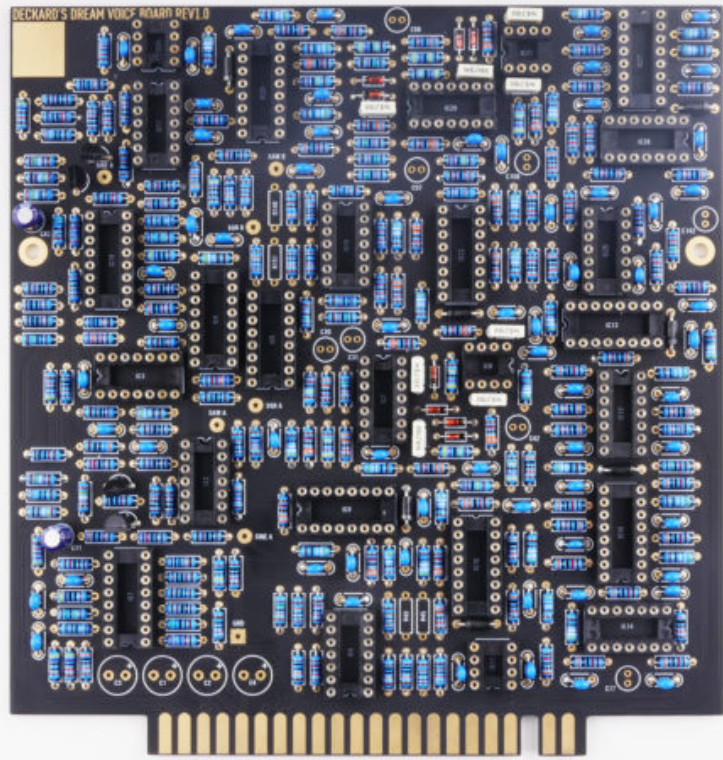
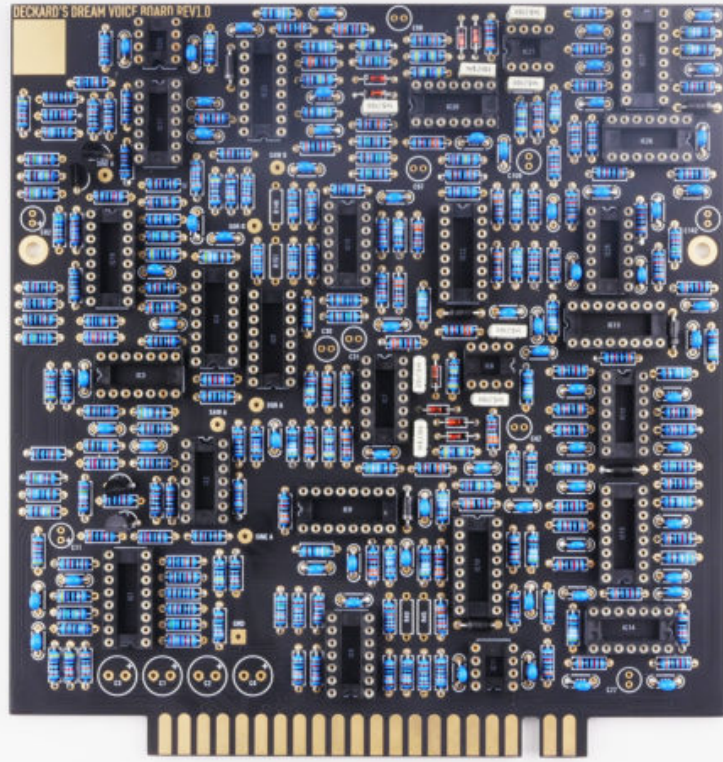


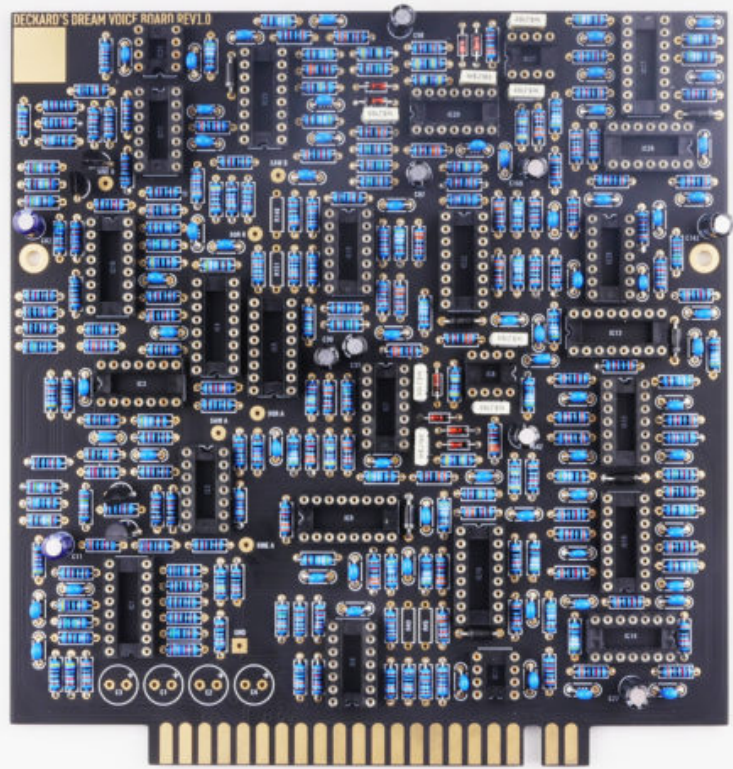


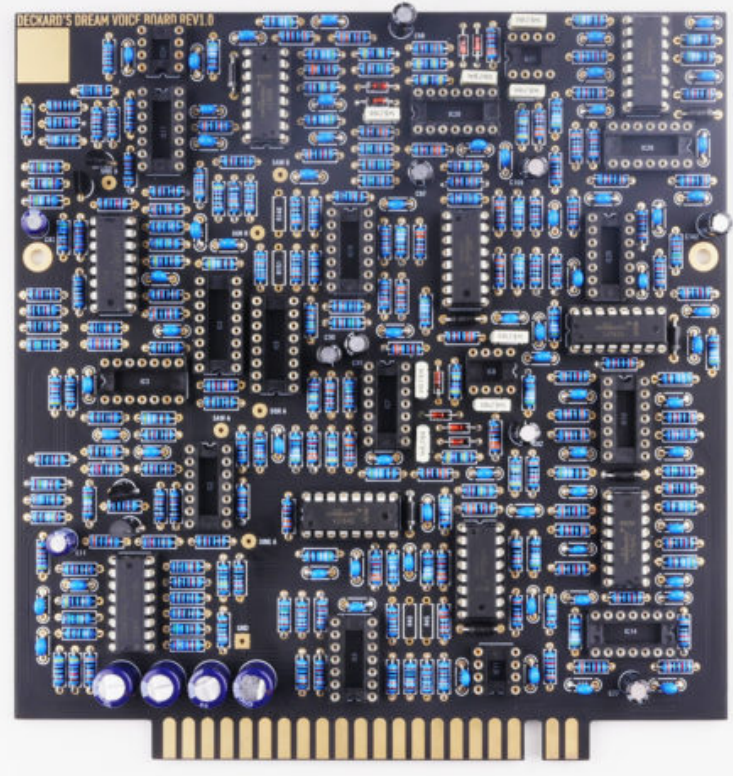
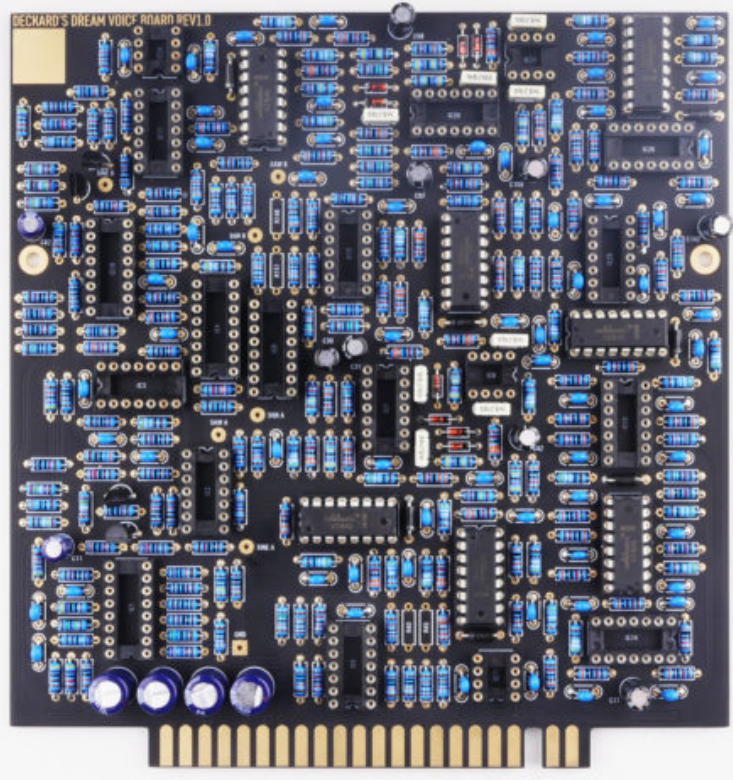


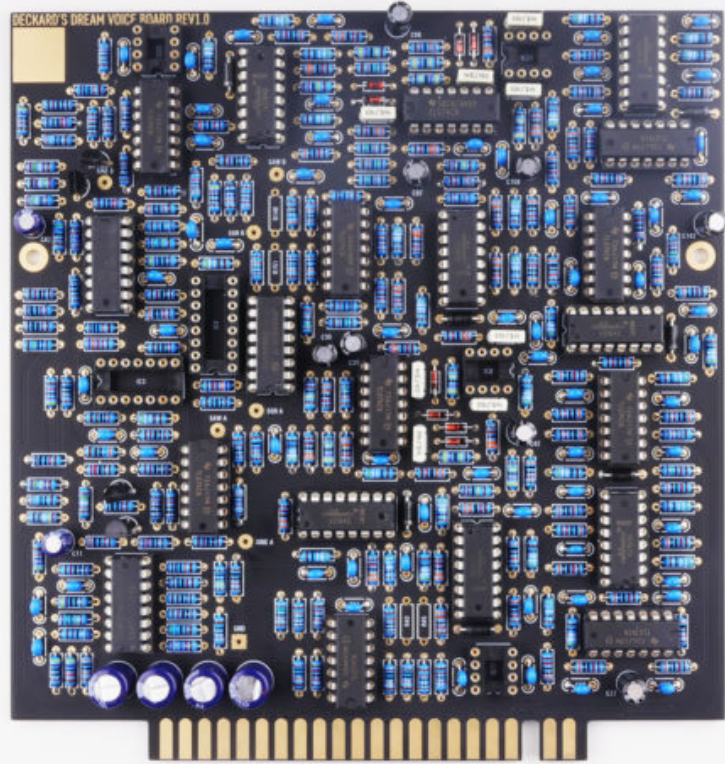
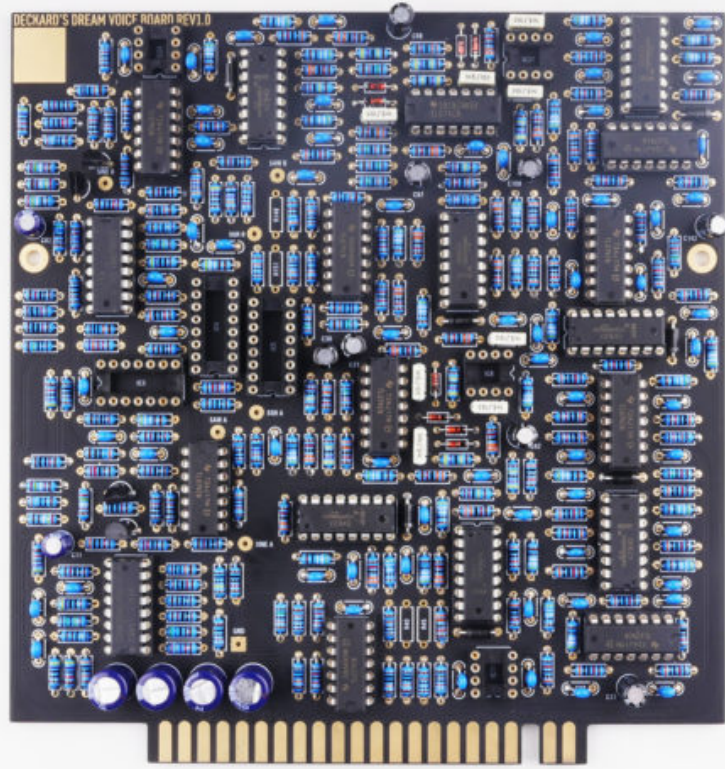


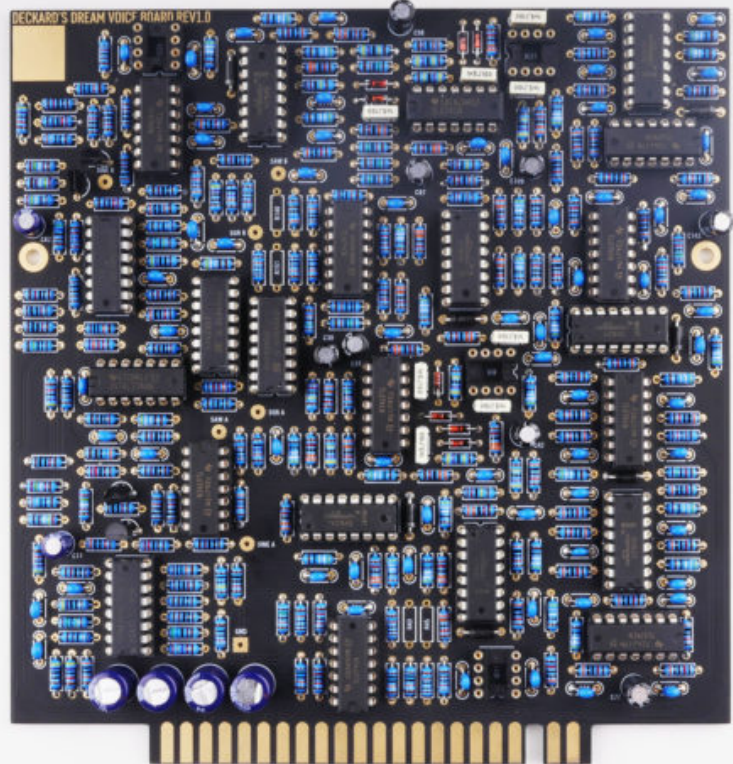
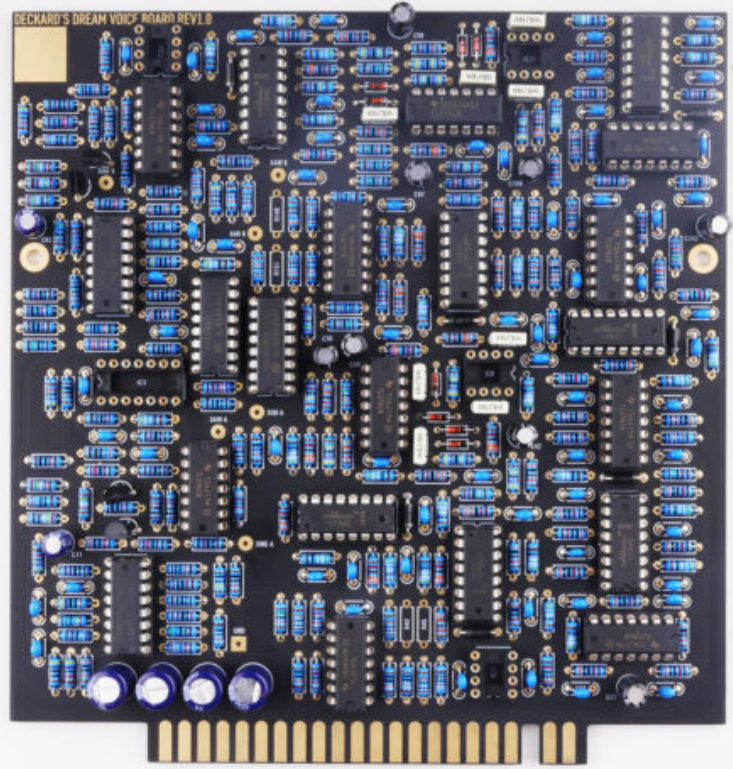


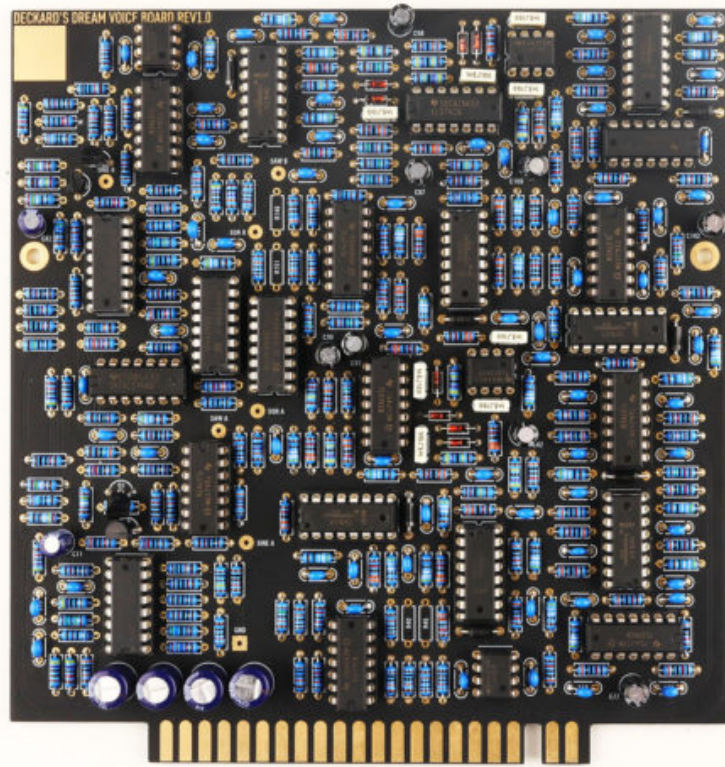
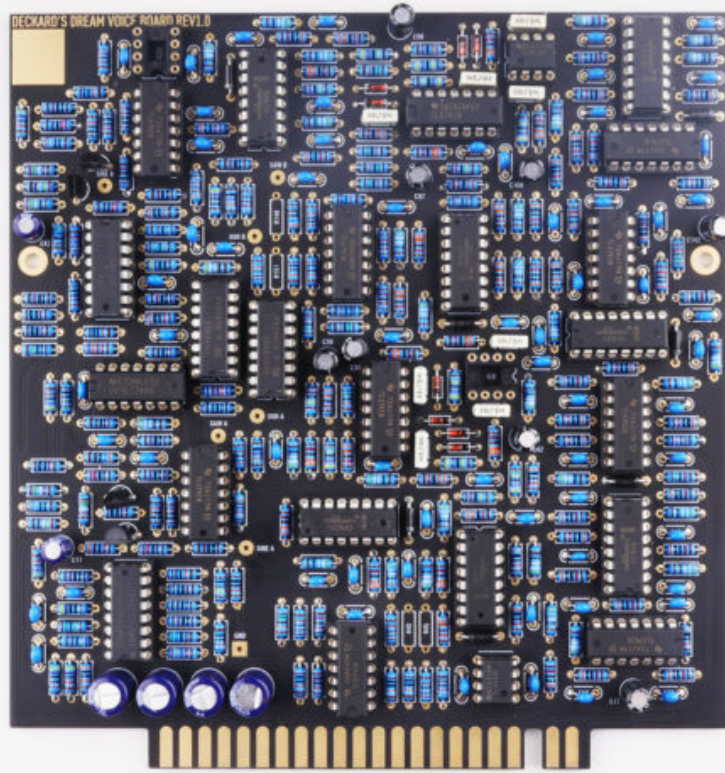




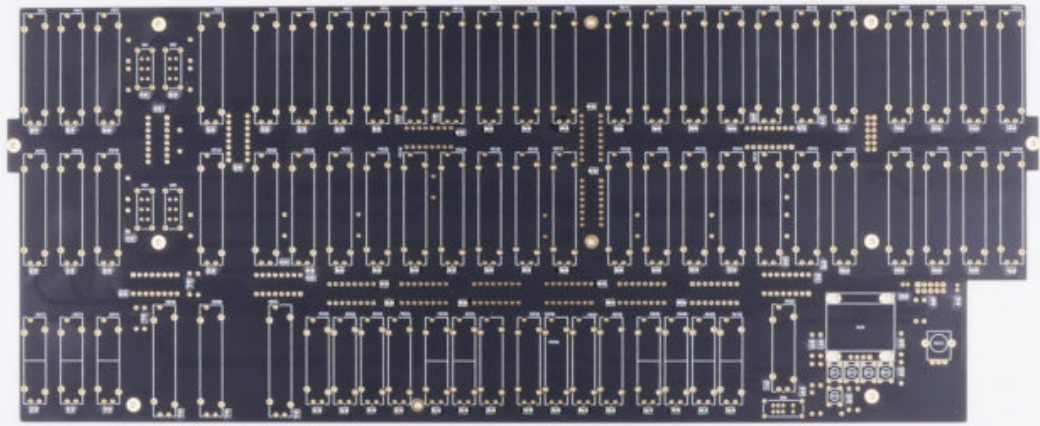
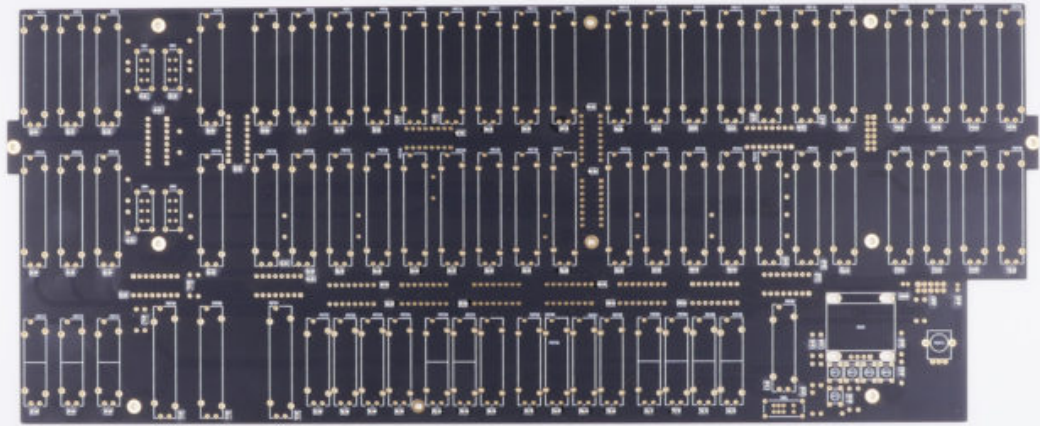


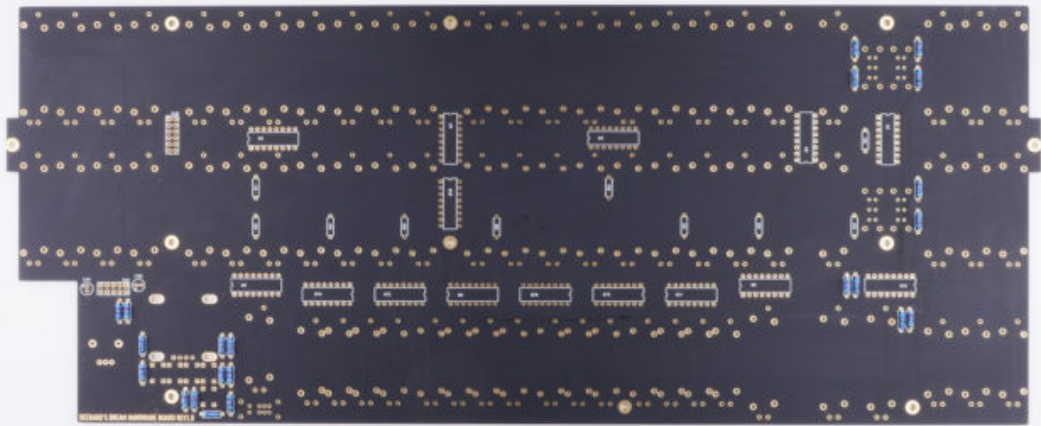
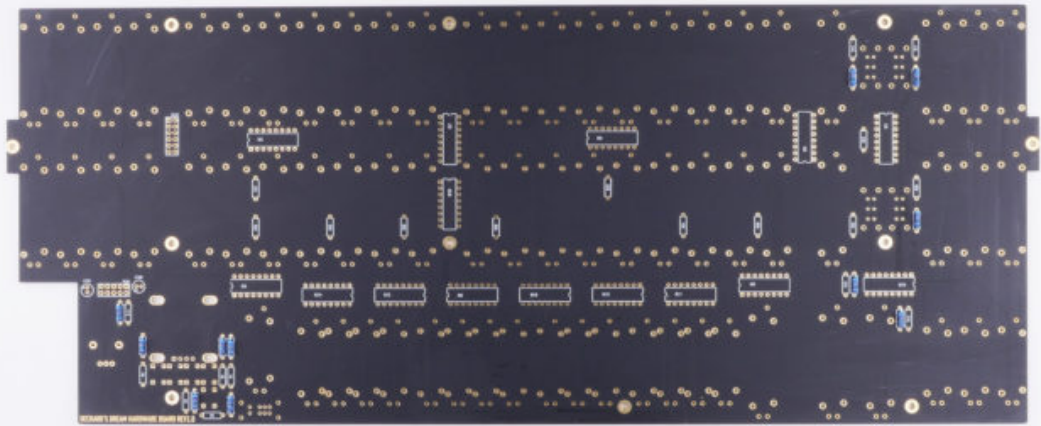


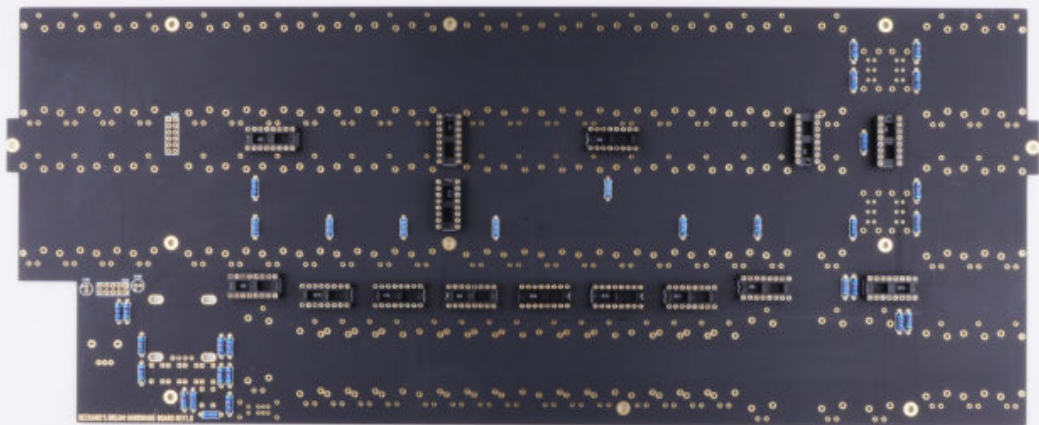
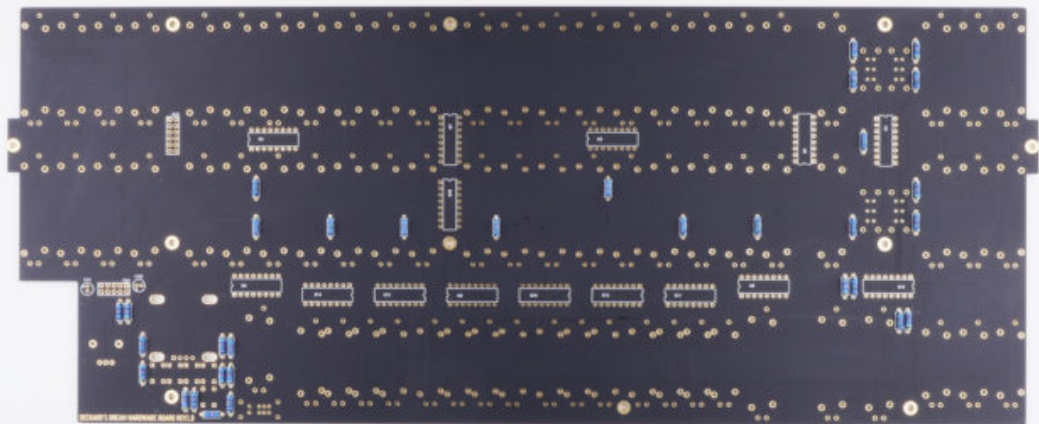


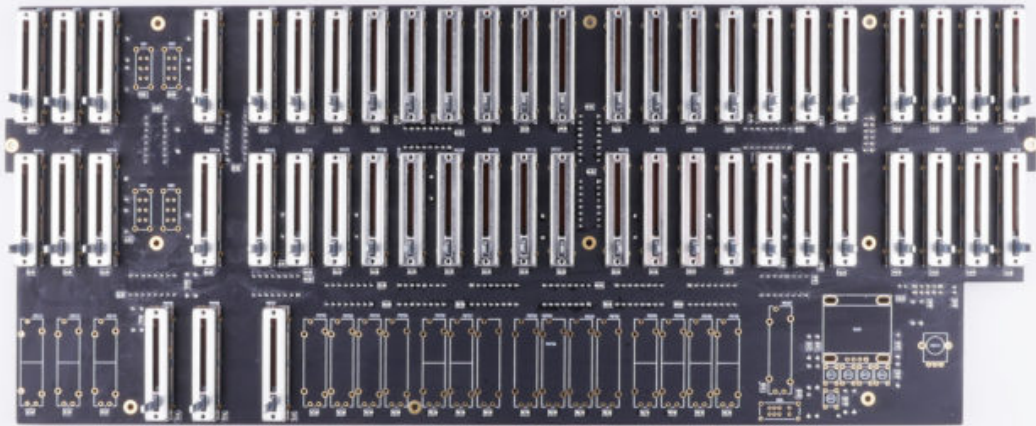
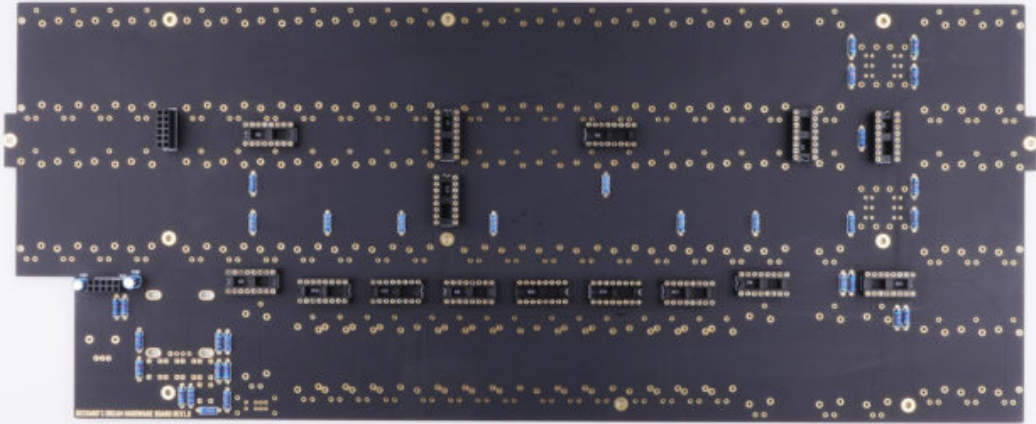


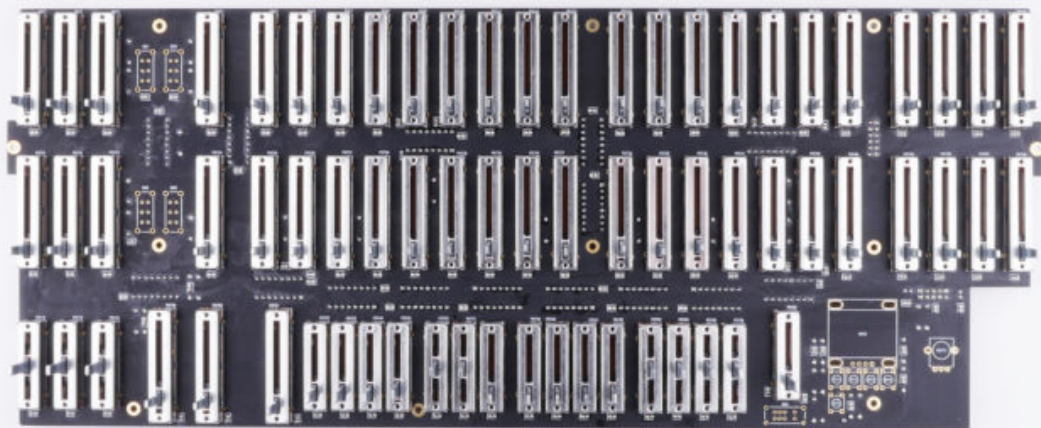
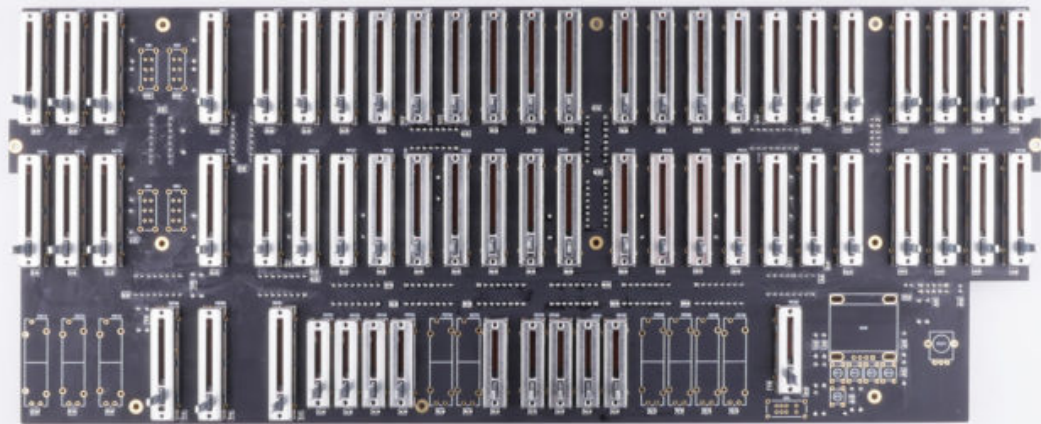
HARDWARE BOARD

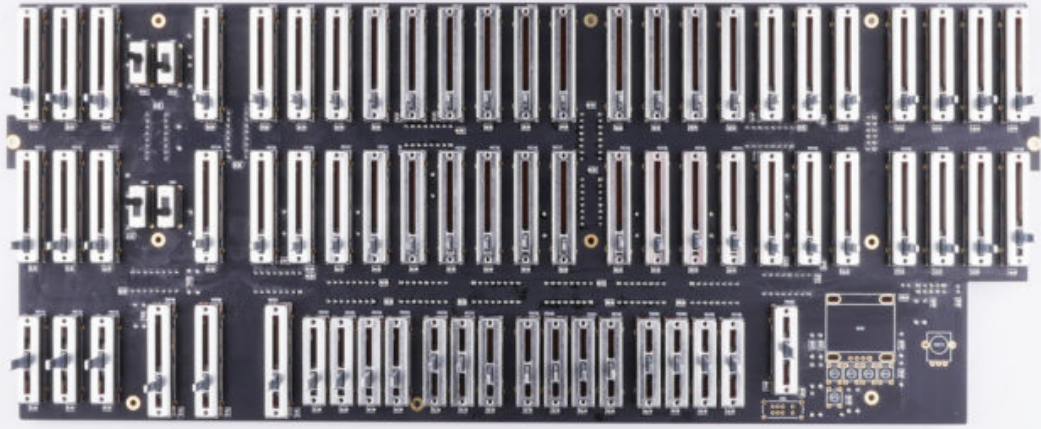


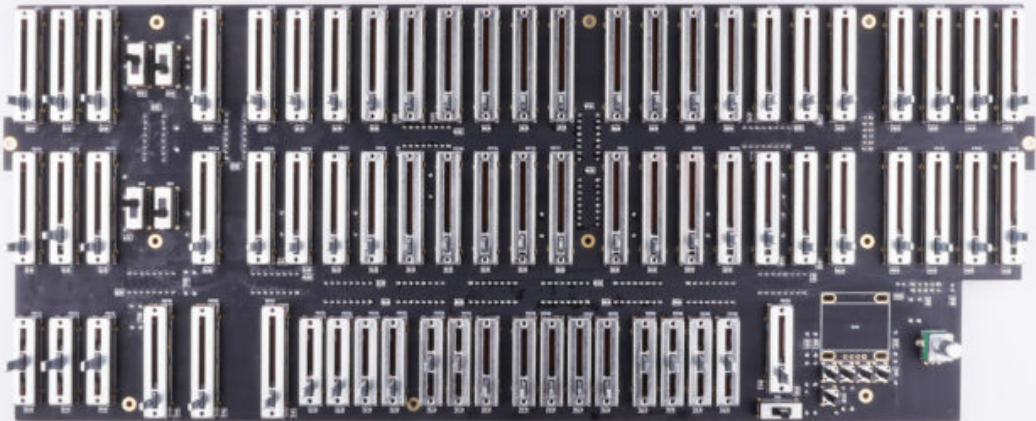


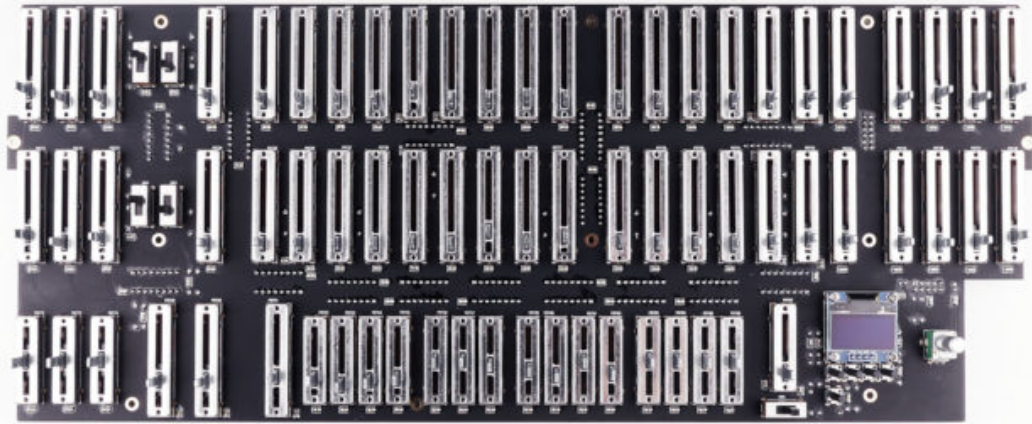




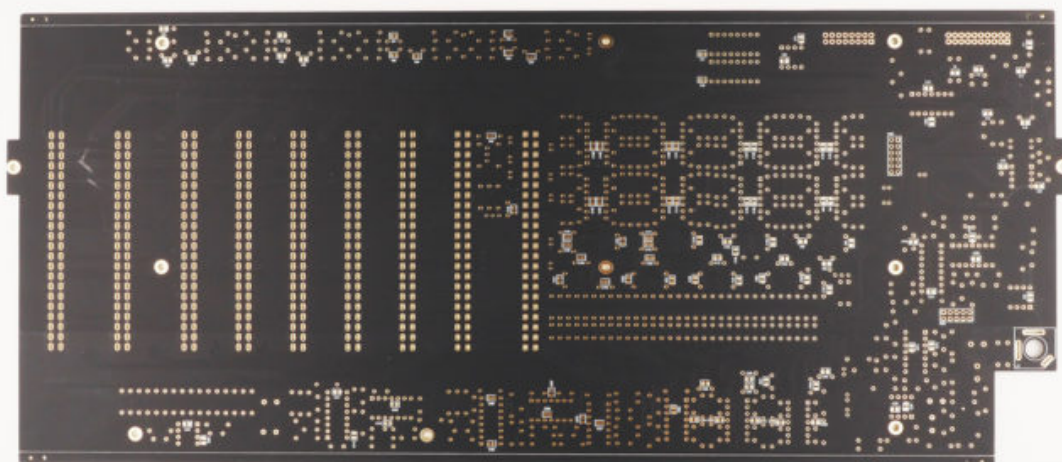


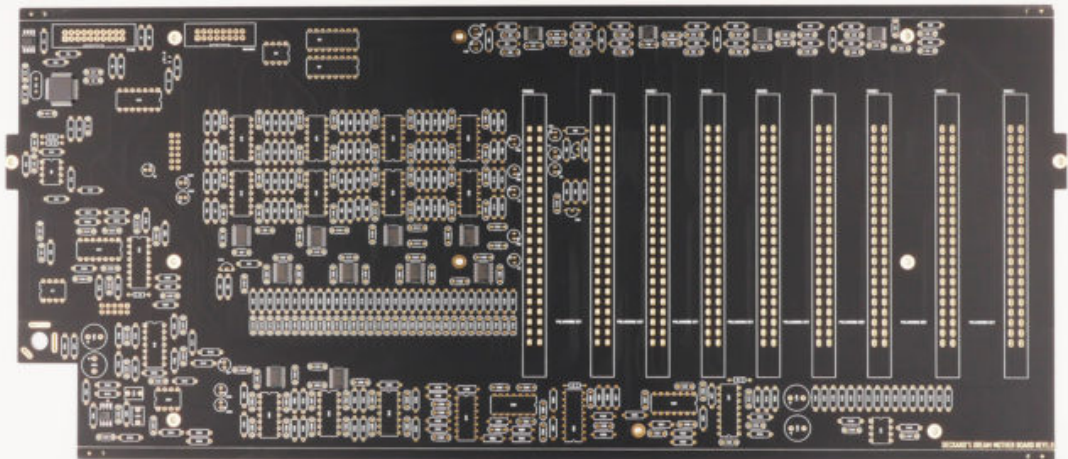
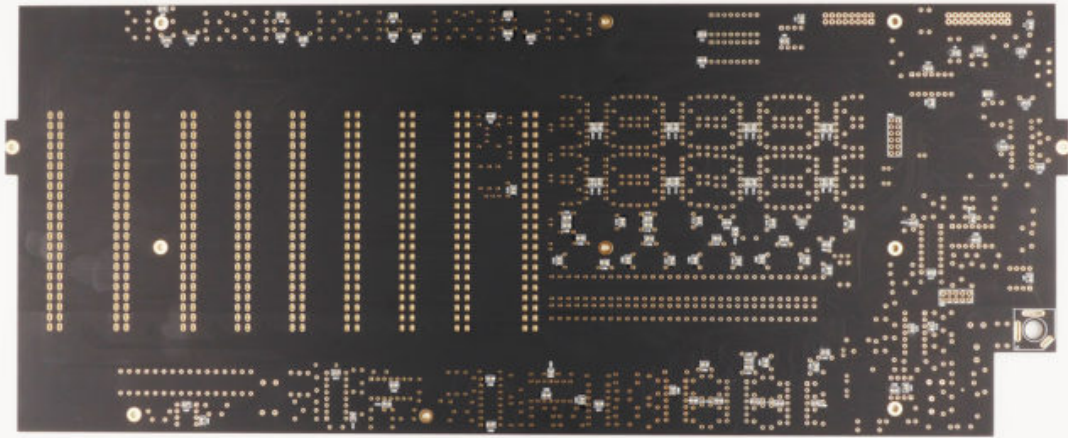


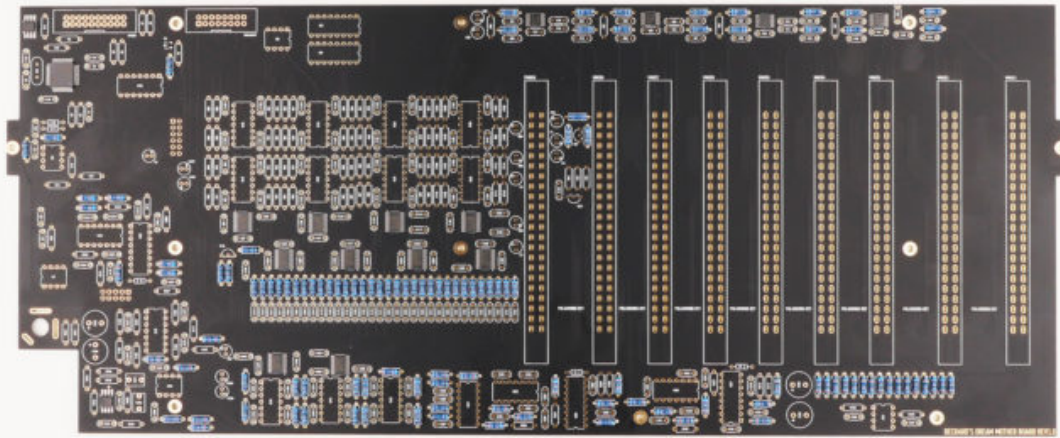
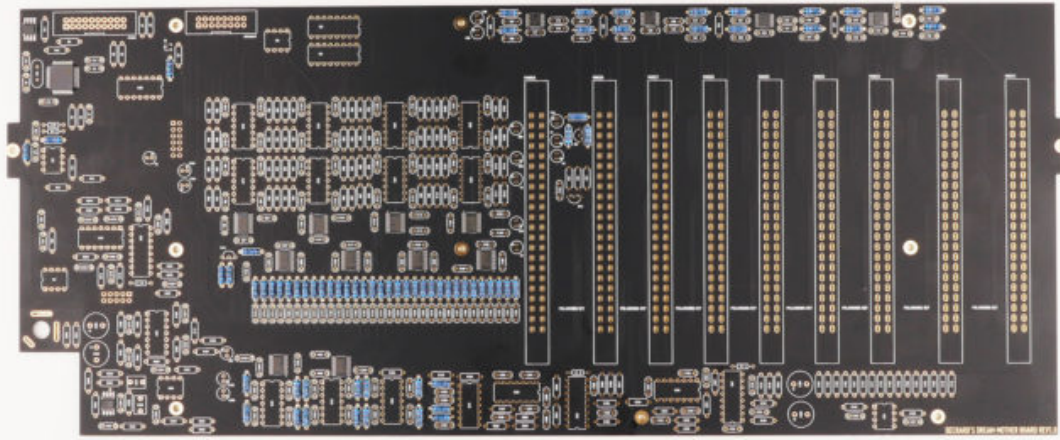


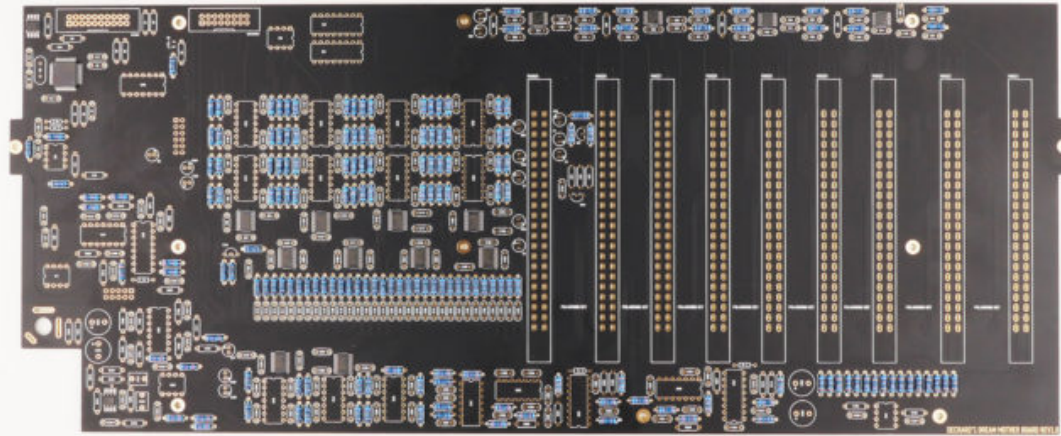
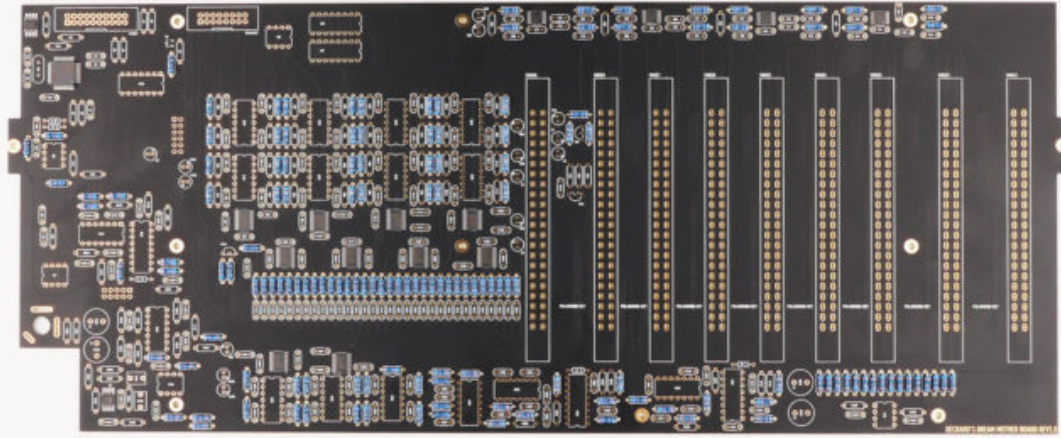


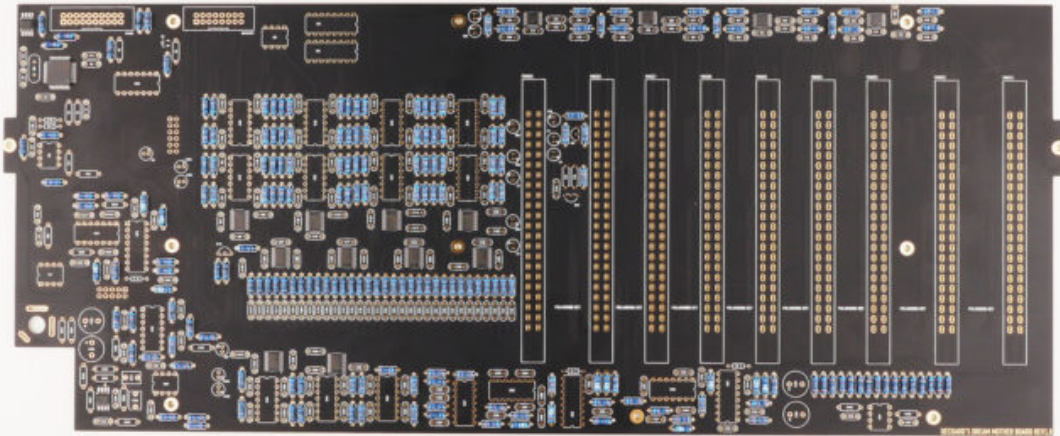
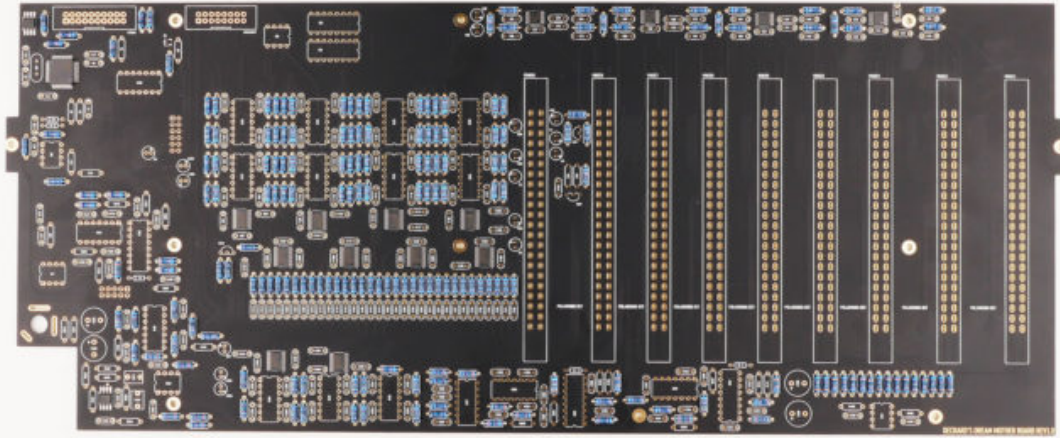
MOTHER BOARD

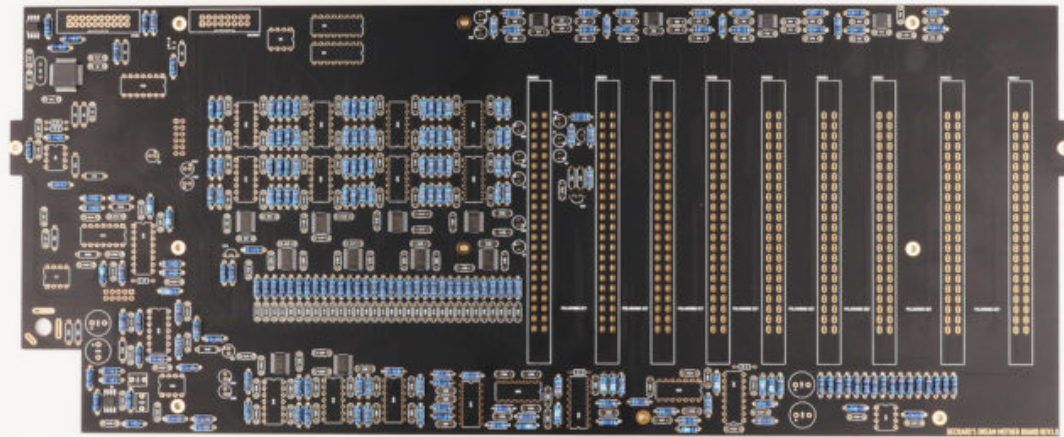
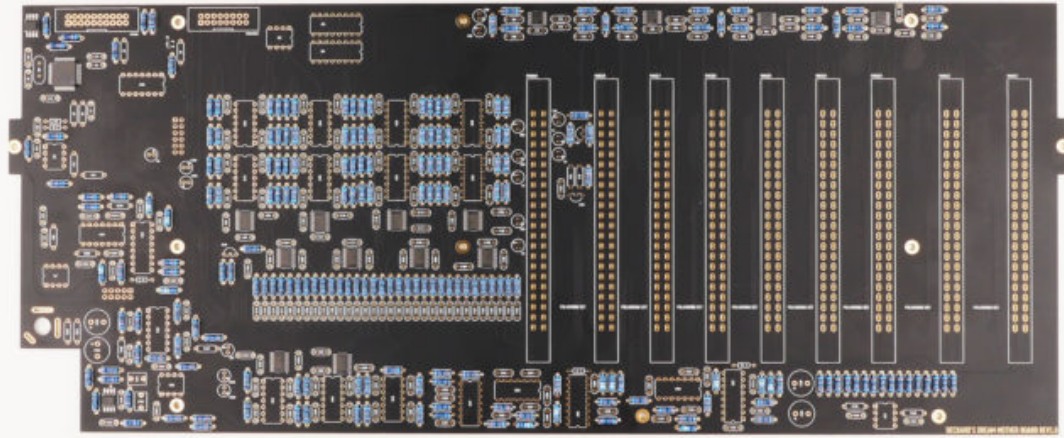


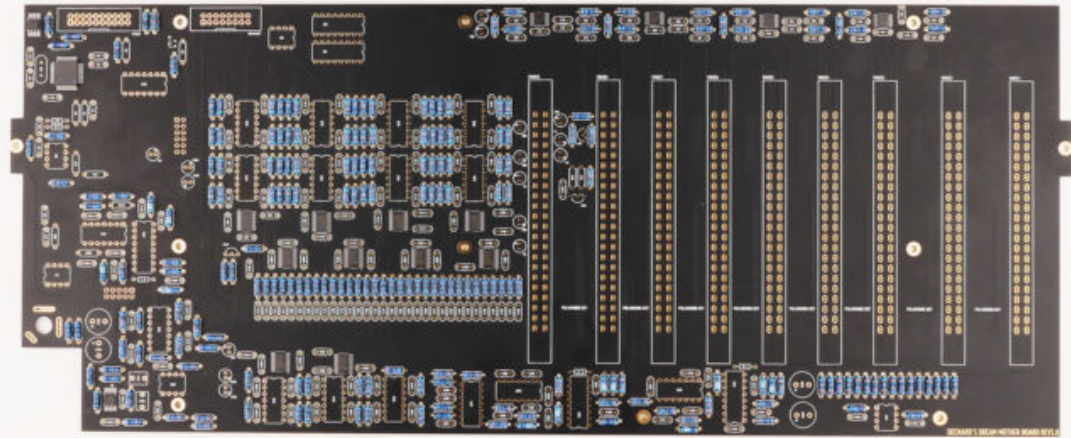
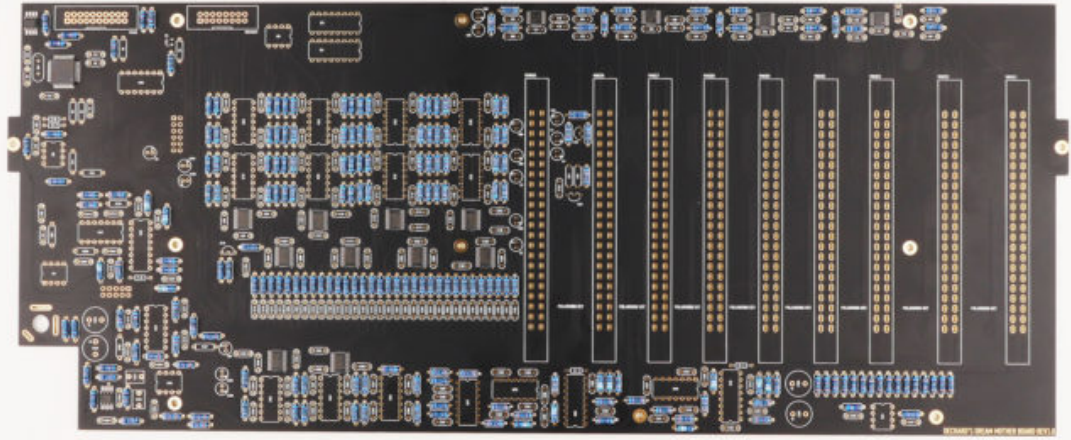


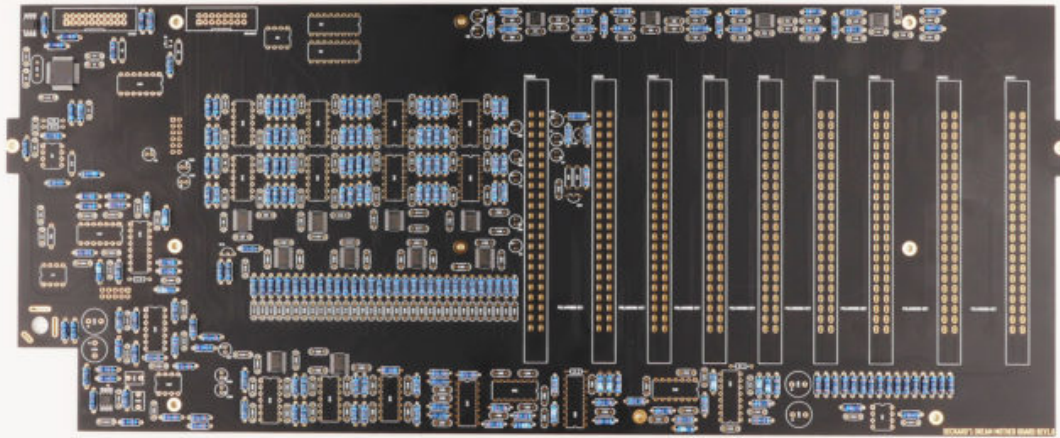
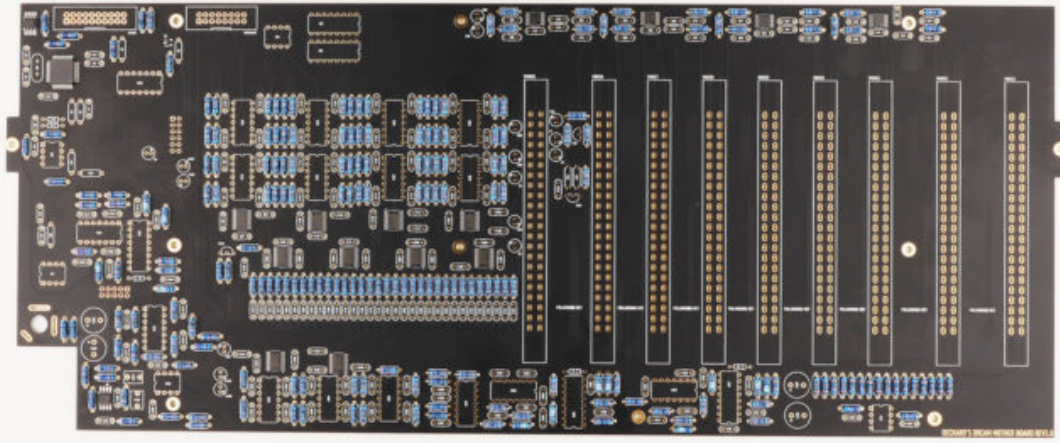


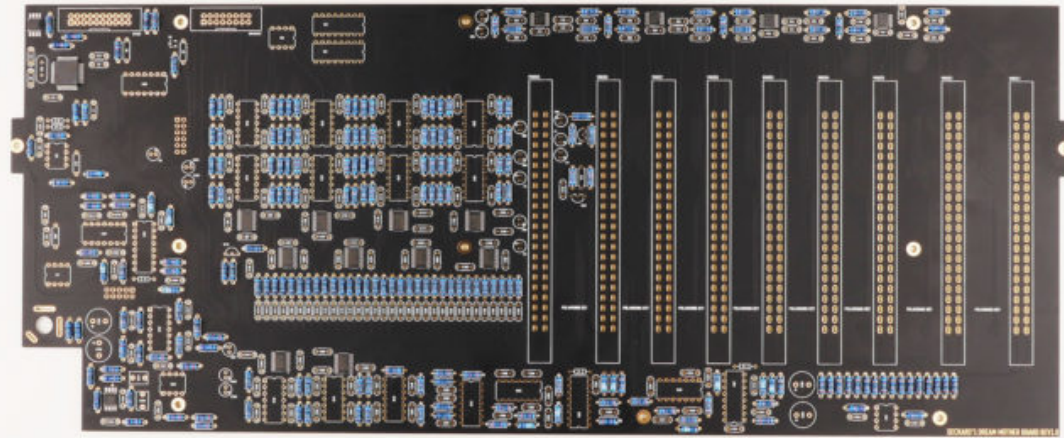
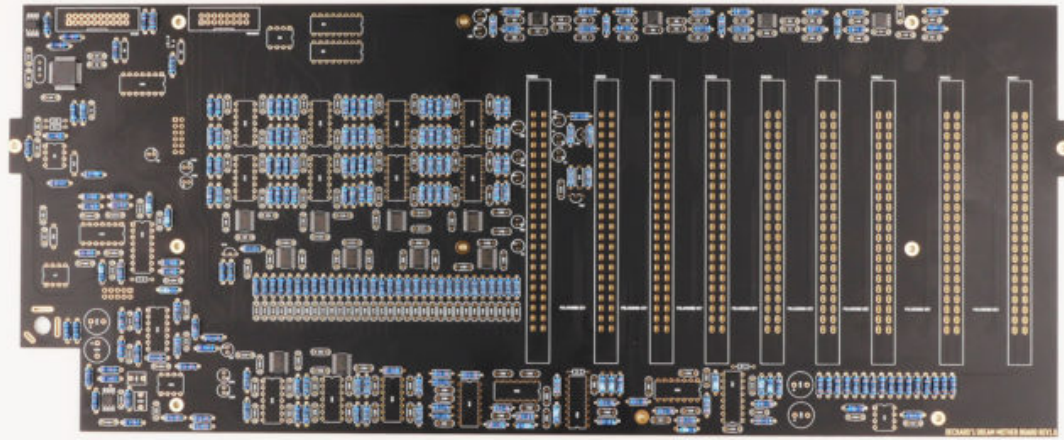


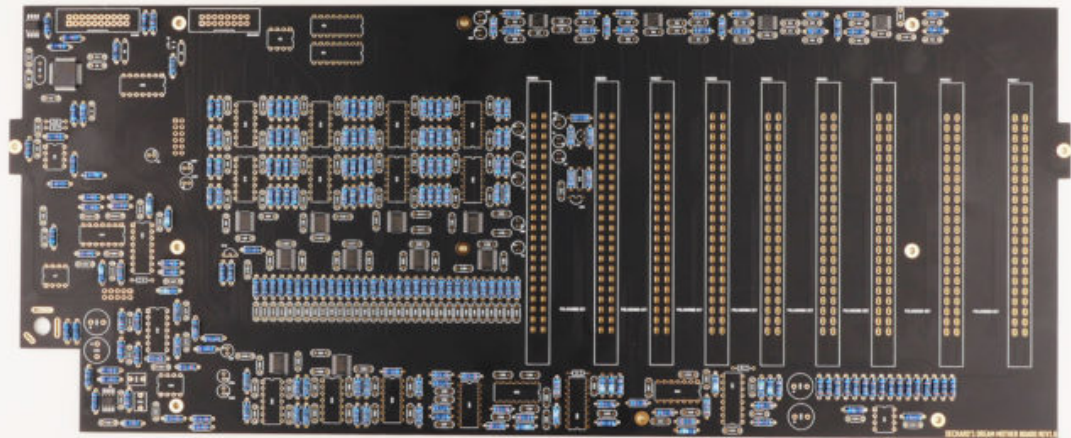
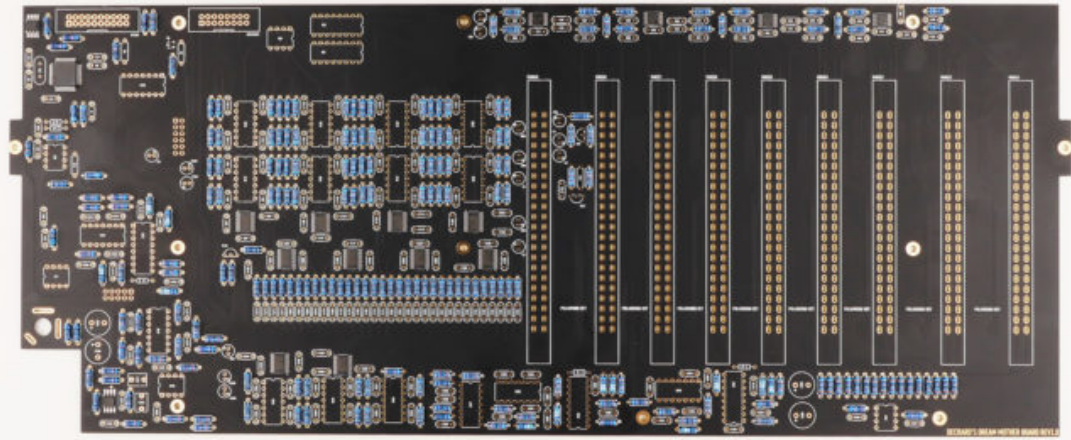


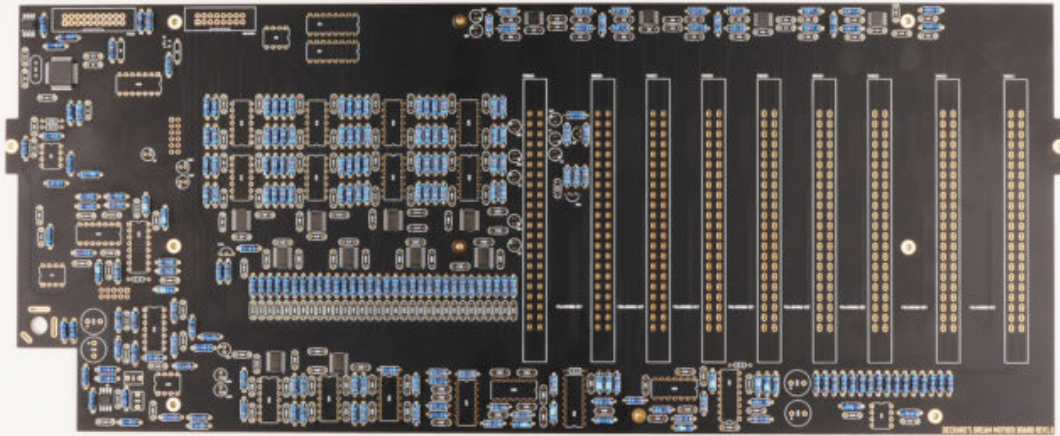
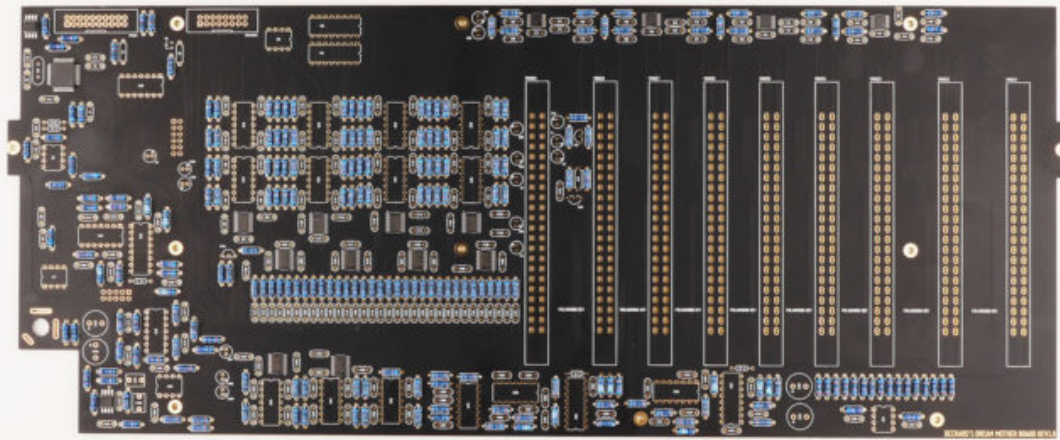


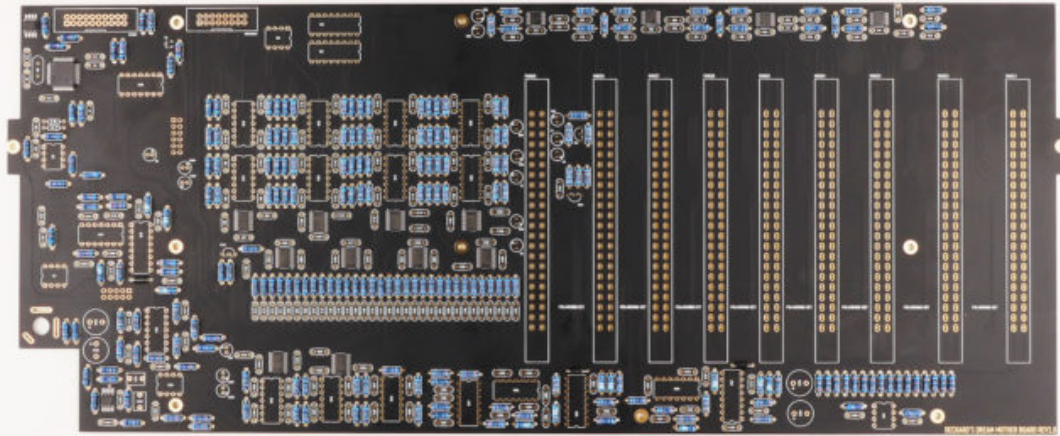
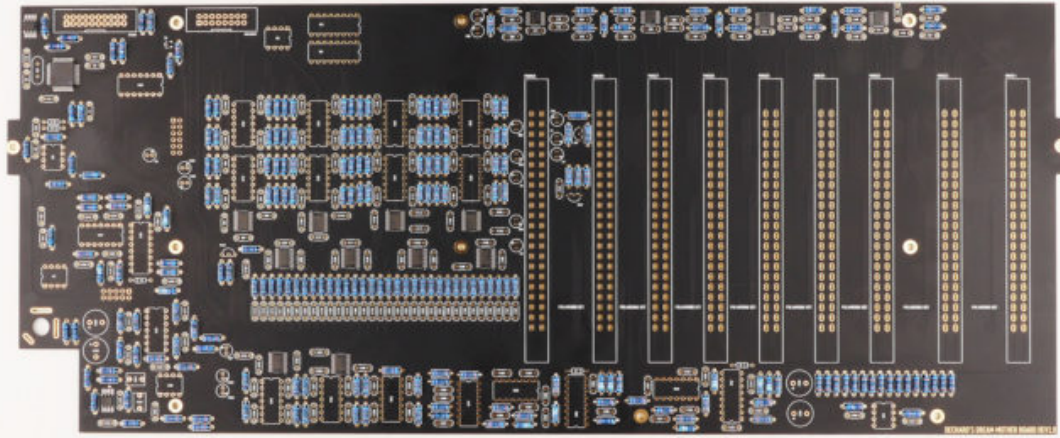


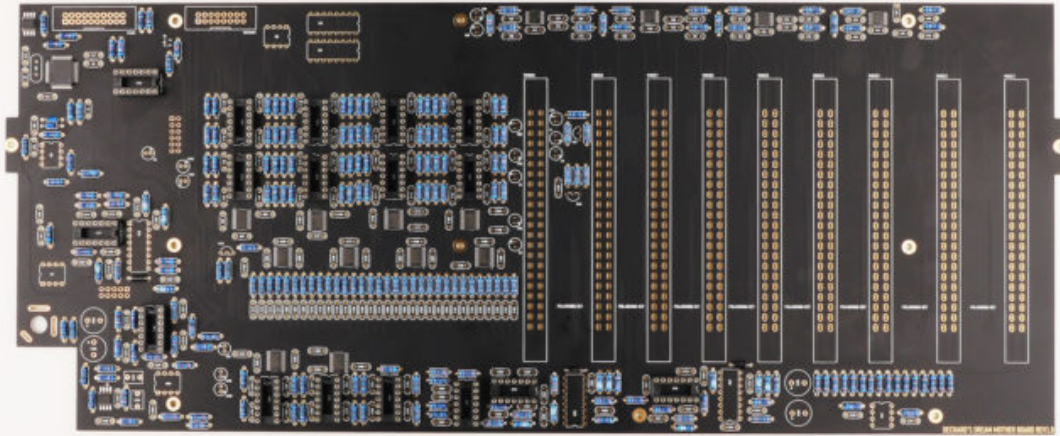
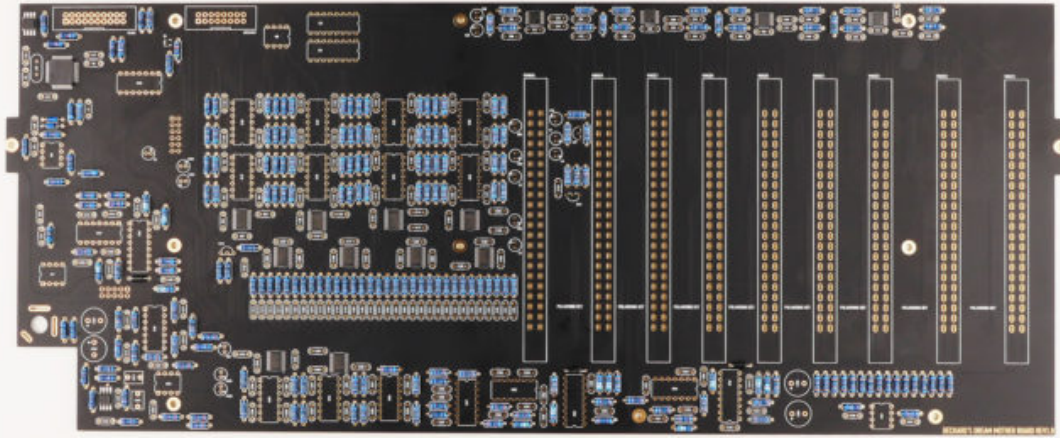


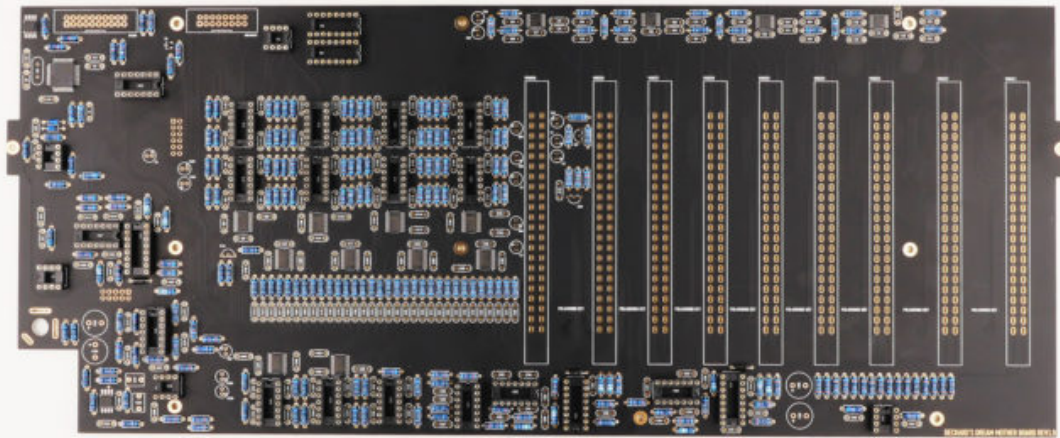
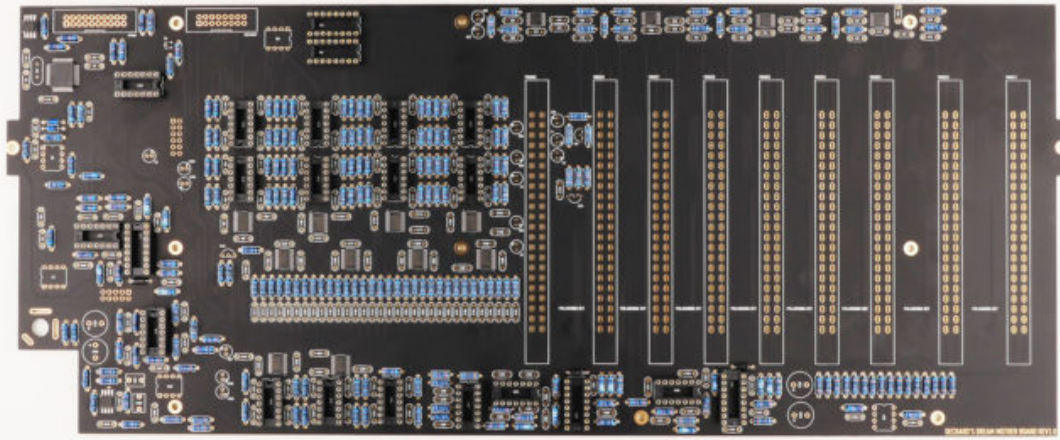


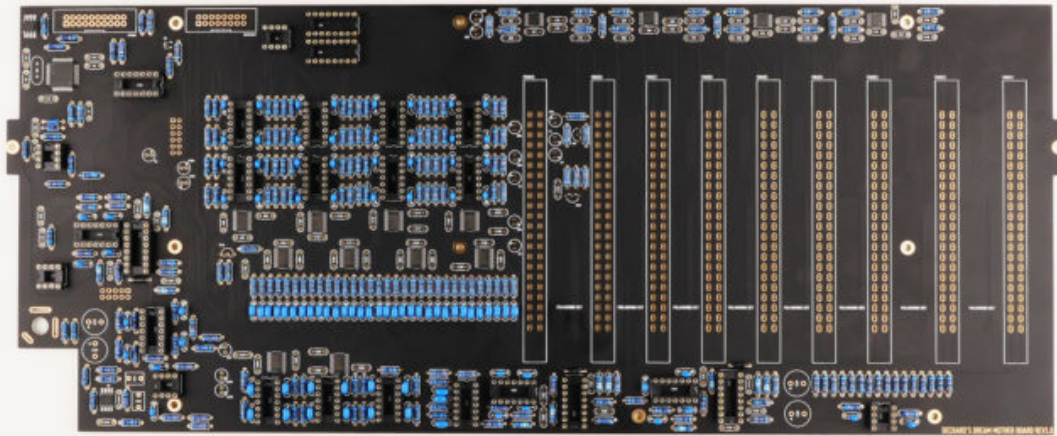
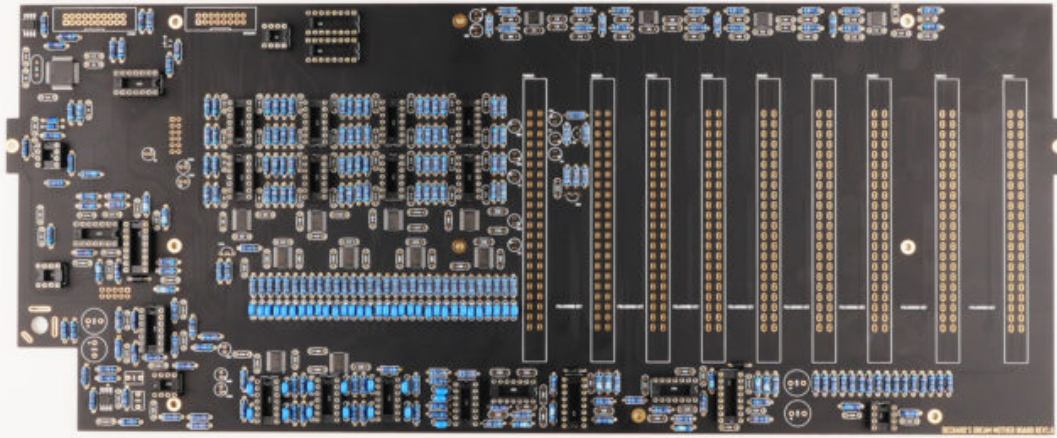


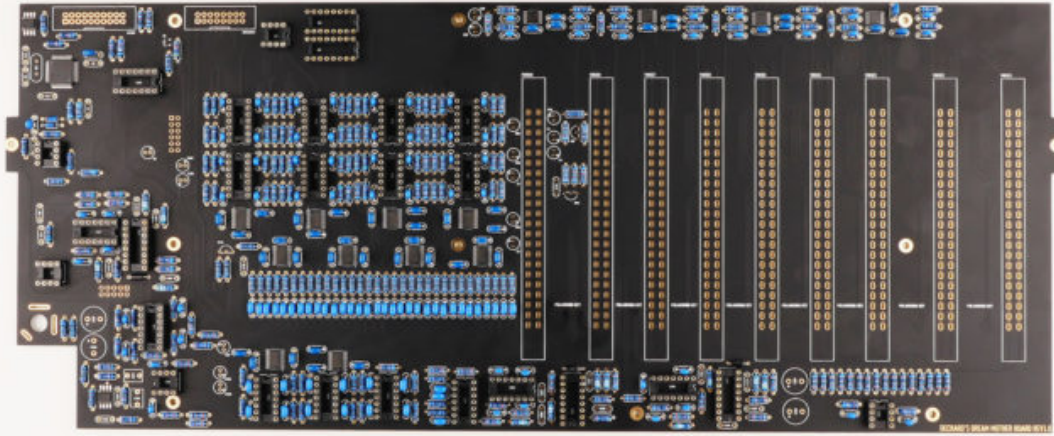
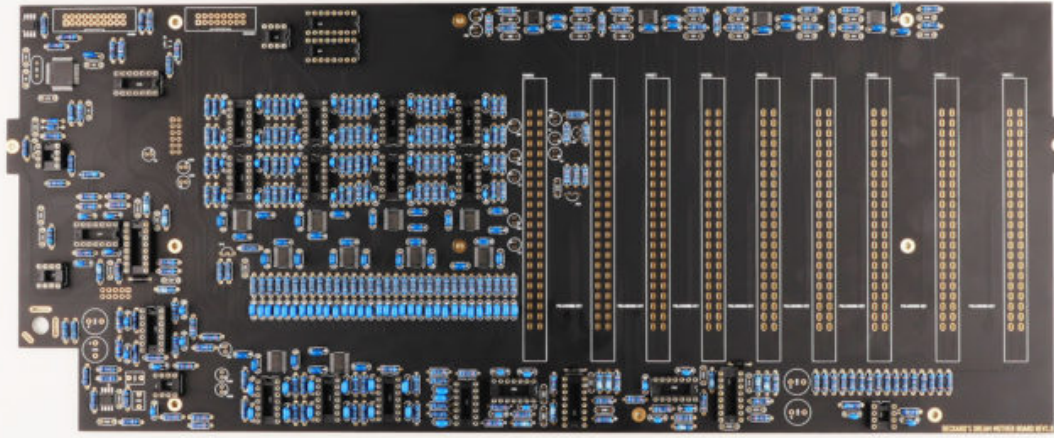


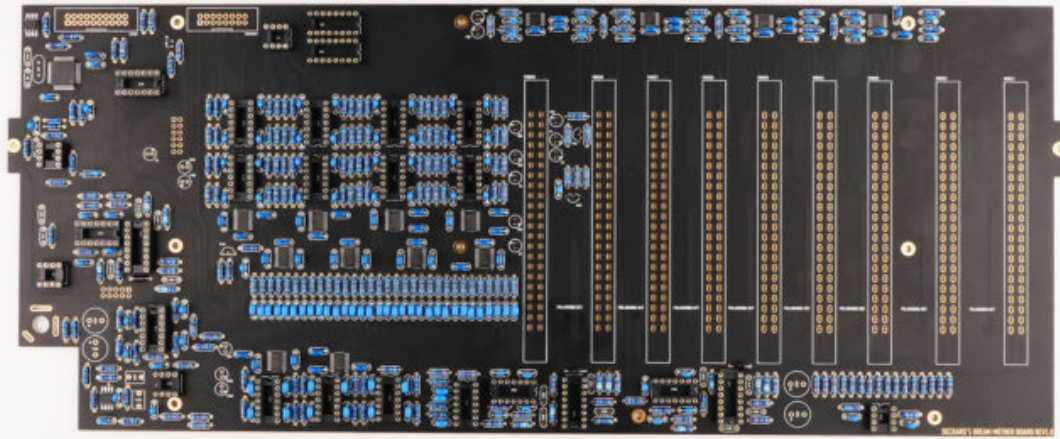
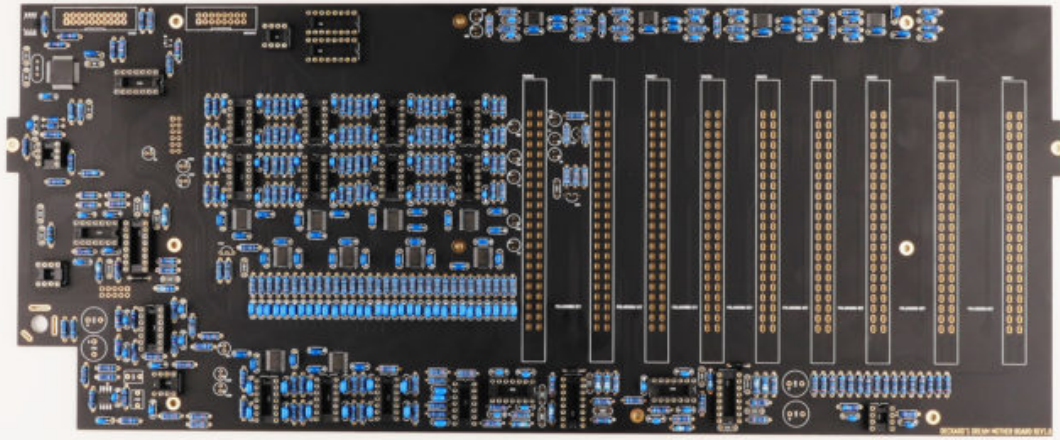


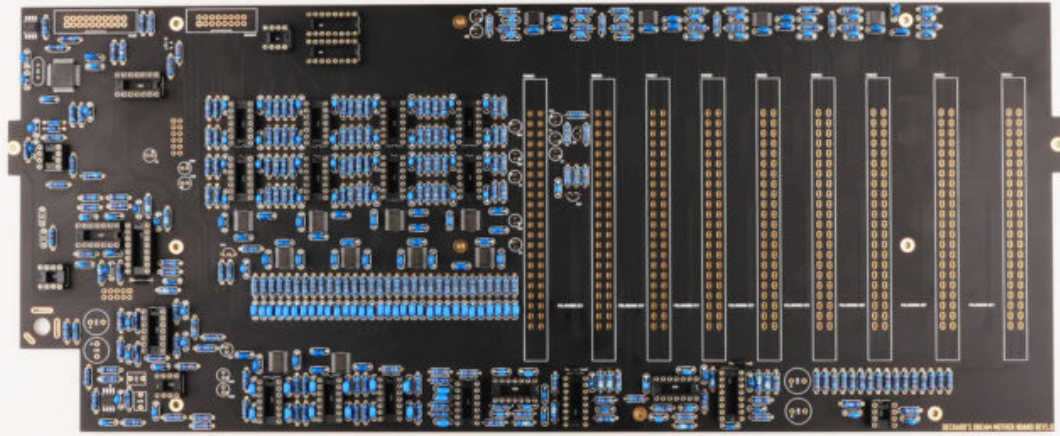
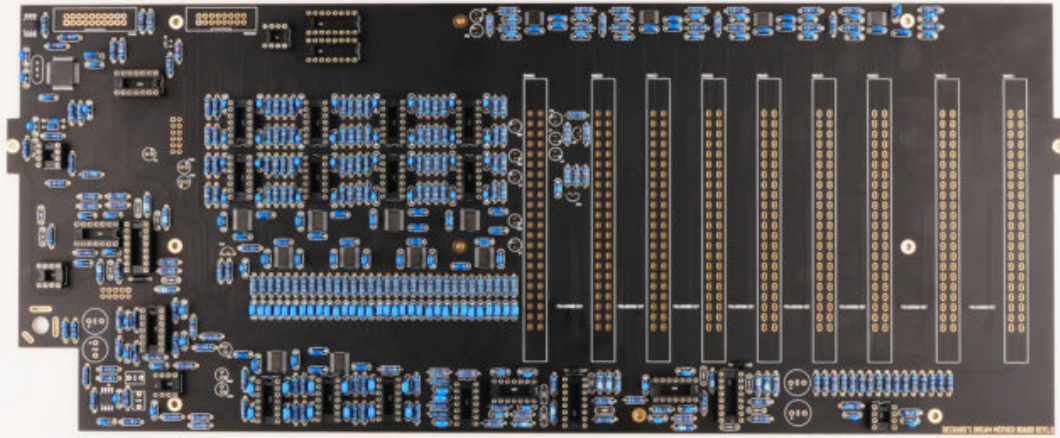


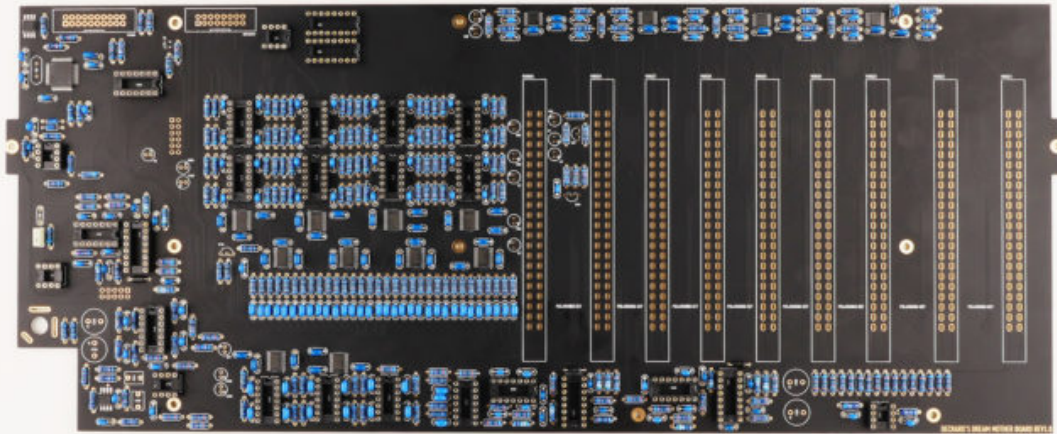
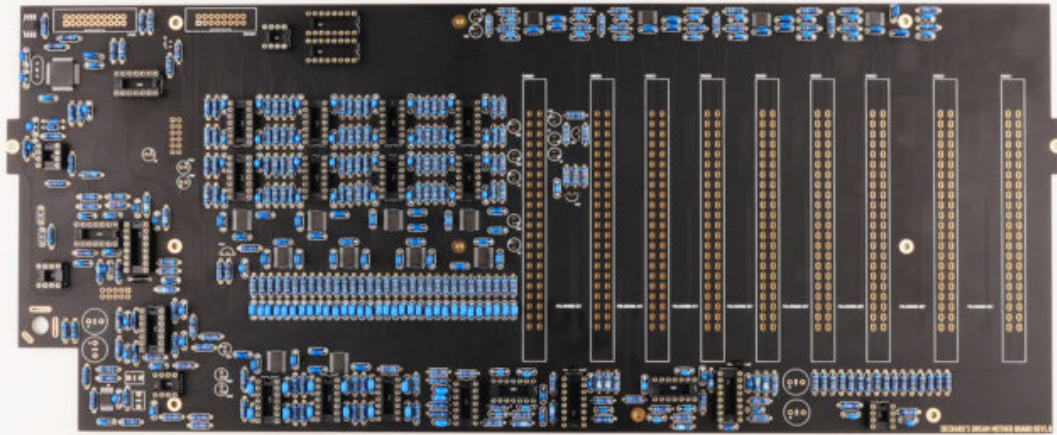


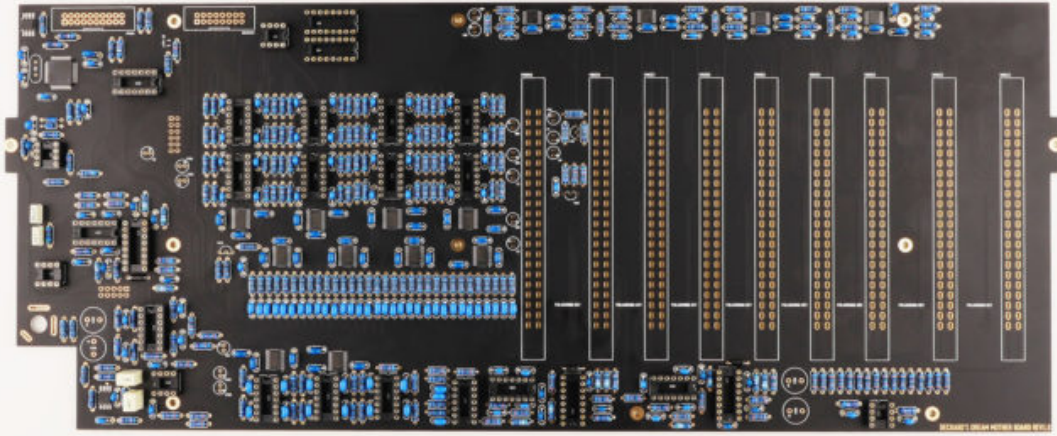
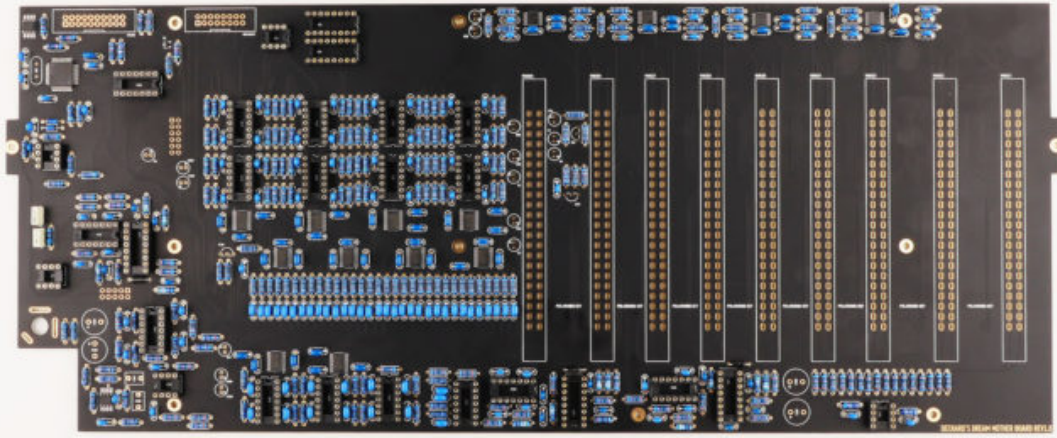


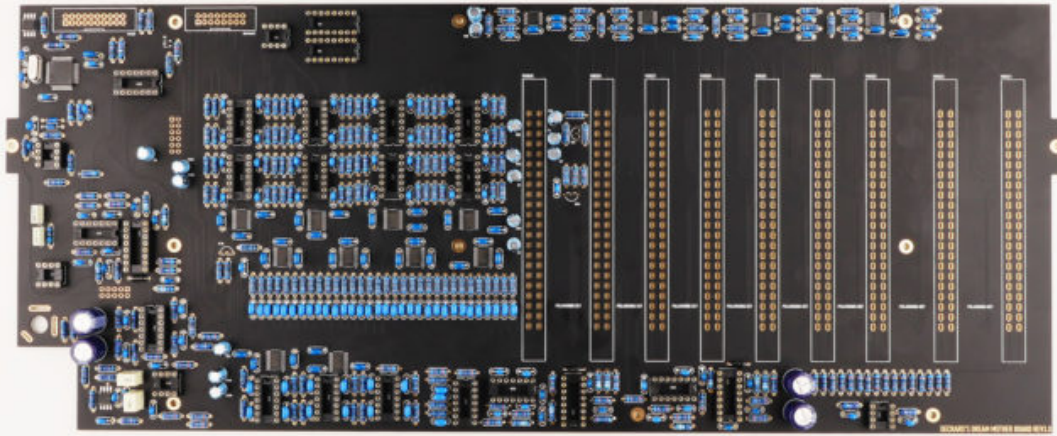
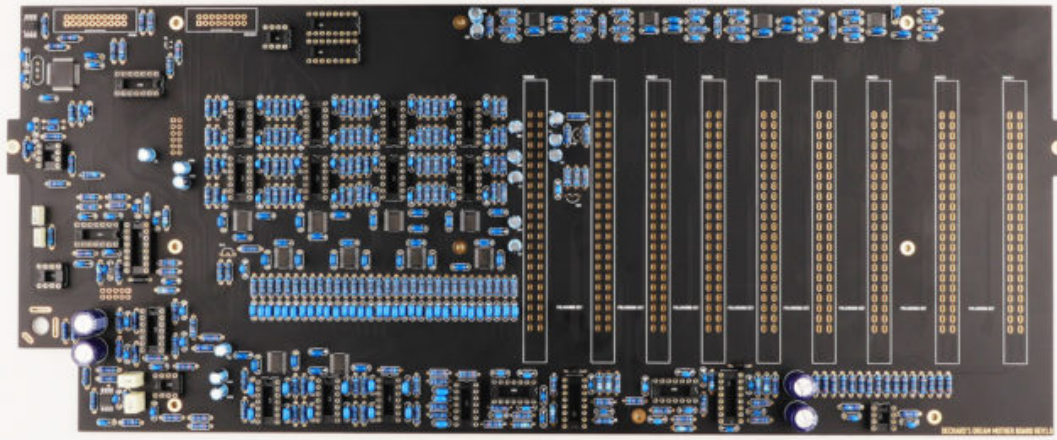


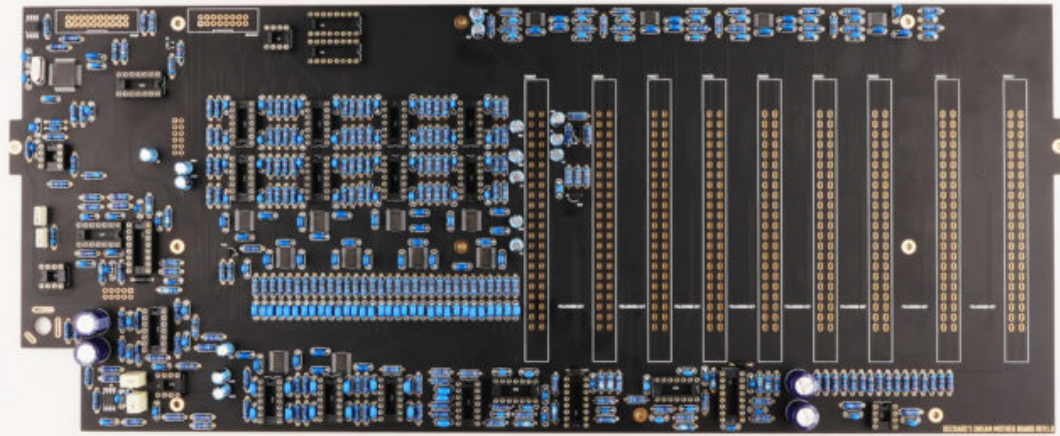
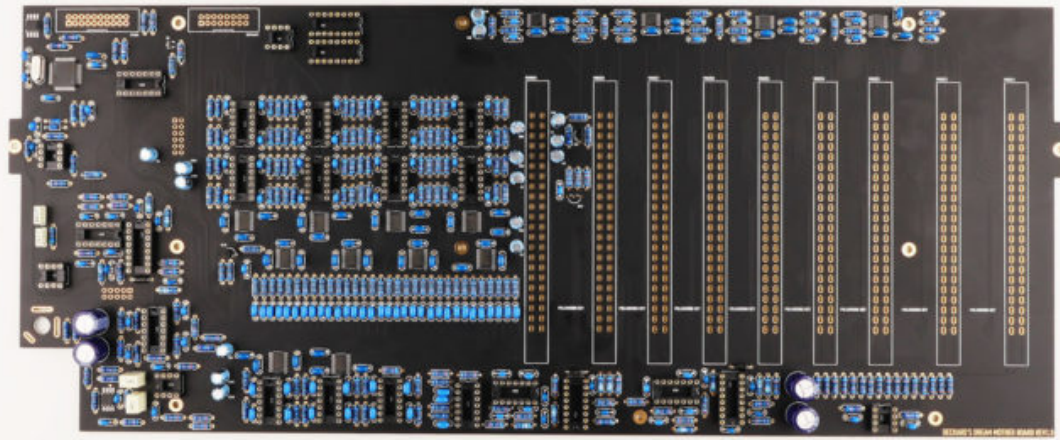


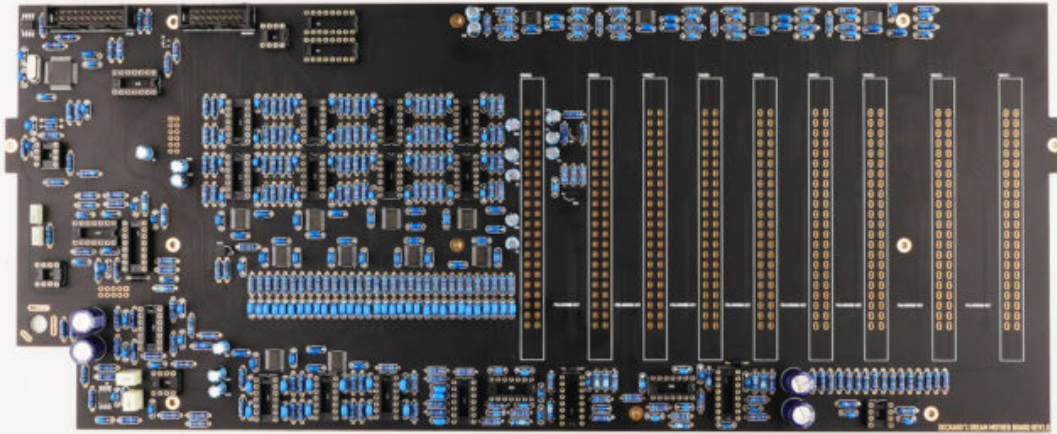
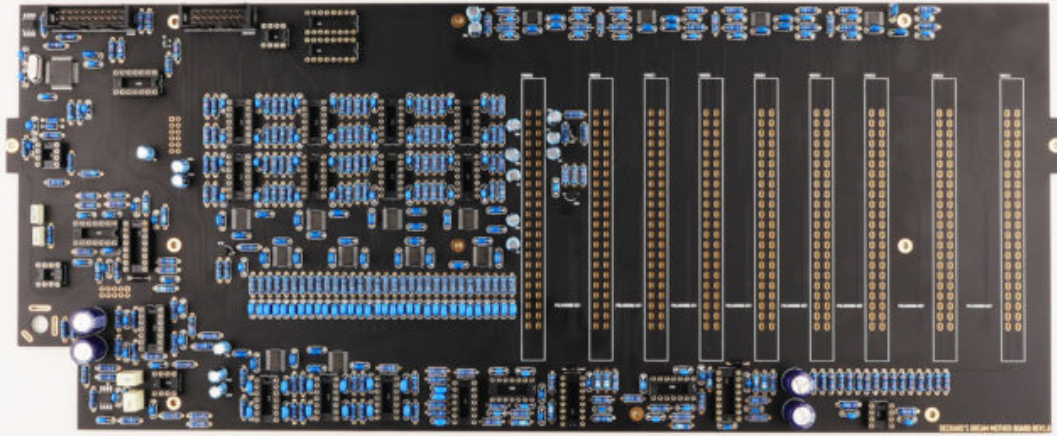


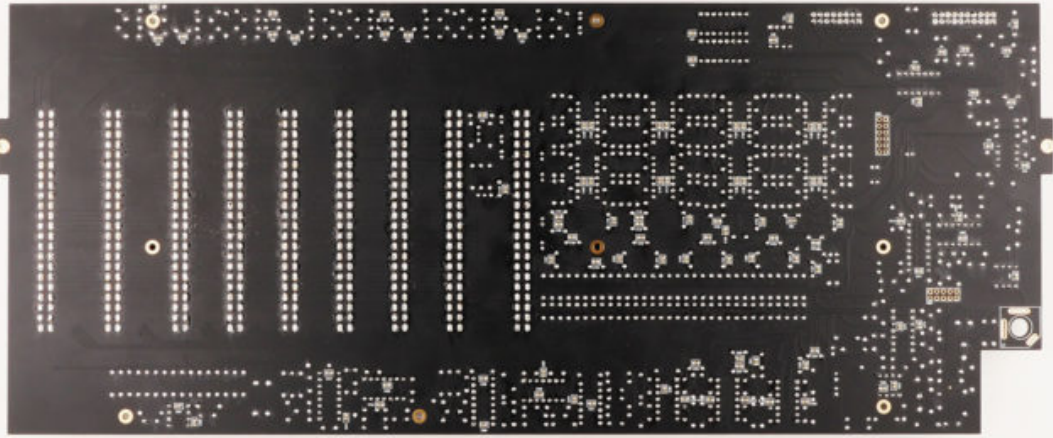












ASSEMBLY

© DECKARD'S DREAM 2019

Site designed by **Pikkles Inc.**

特定商取引法に基づく表示

