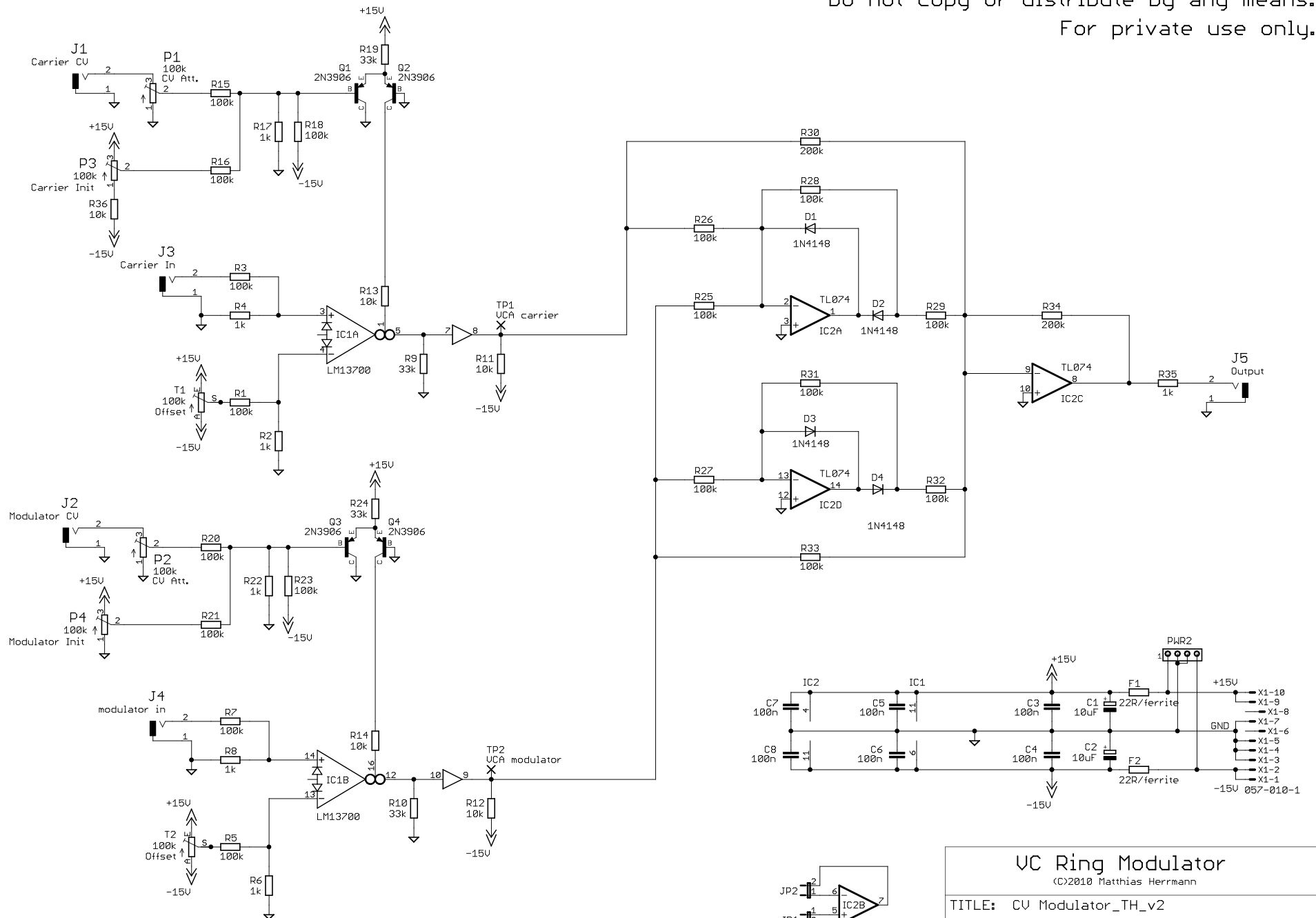


Do not copy or distribute by any means.
For private use only.



UC Ring Modulator

(C)2010 Matthias Herrmann

TITLE: CU Modulator_TH_v2

Document Number:

REV:

Date: 9/2/2010 12:03:49 PM

Sheet: 1/1