

1

2

3

4

A

A

B

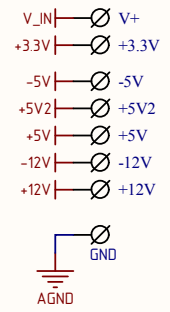
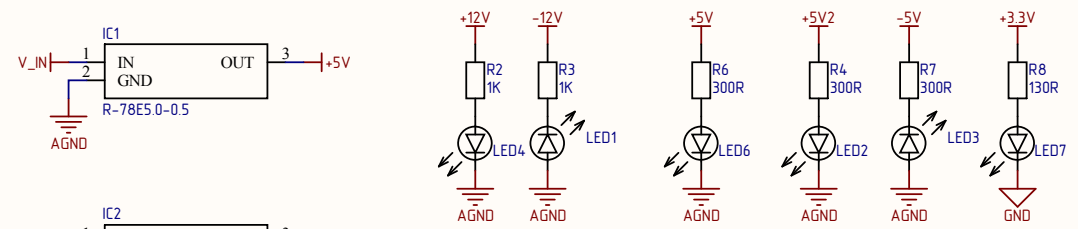
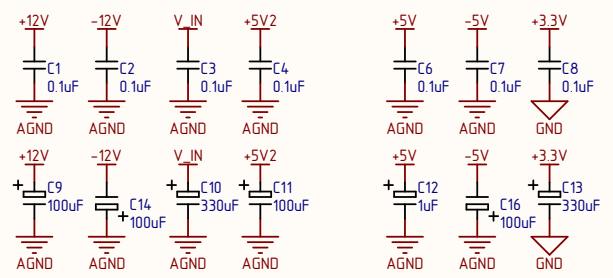
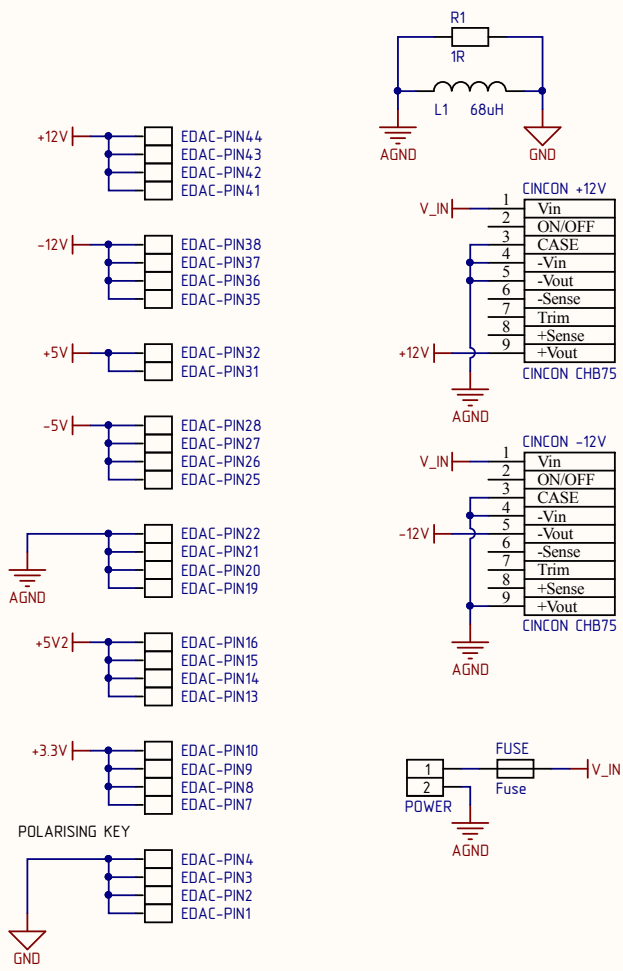
B

C

C

D

D

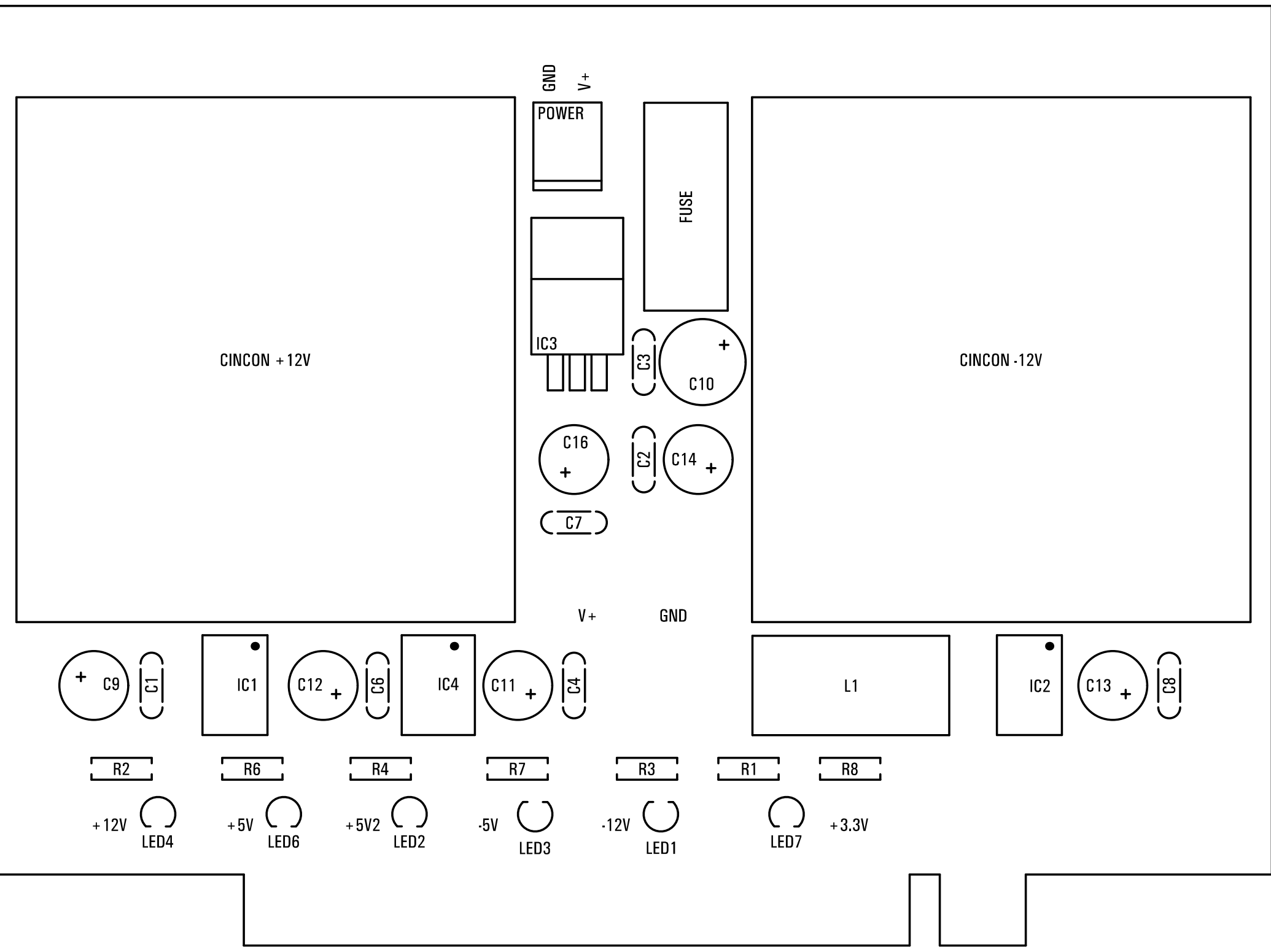


1

2

3

4



GND
V+

POWER

FUSE

CINCON +12V

CINCON -12V

IC3

C3

C10 +

C16 +

C2

C14 +

C7

V+

GND

C9 +

C1

IC1

C12 +

C6

IC4

C11 +

C4

L1

IC2

C13 +

C8

R2

R6

R4

R7

R3

R1

R8

+12V
LED4

+5V
LED6

+5V2
LED2

-5V
LED3

-12V
LED1

LED7

+3.3V