

1

2

3

4

A

A

B

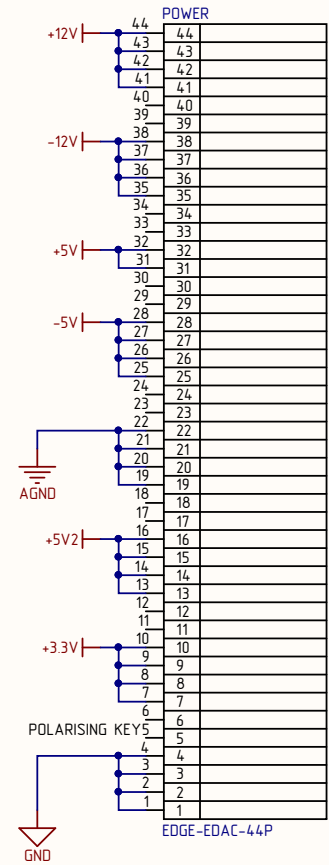
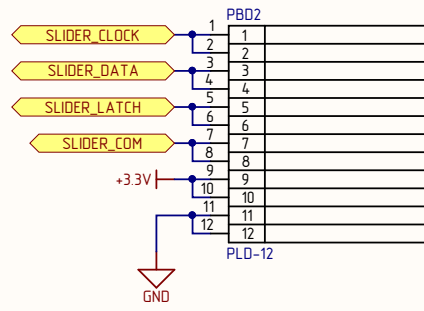
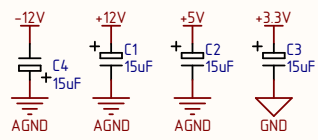
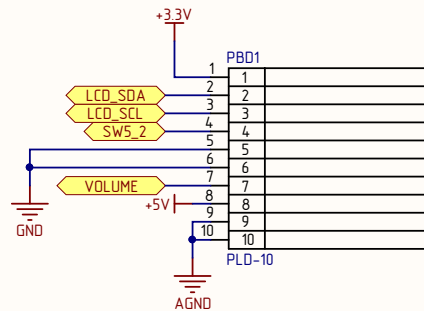
B

C

C

D

D



A

A

B

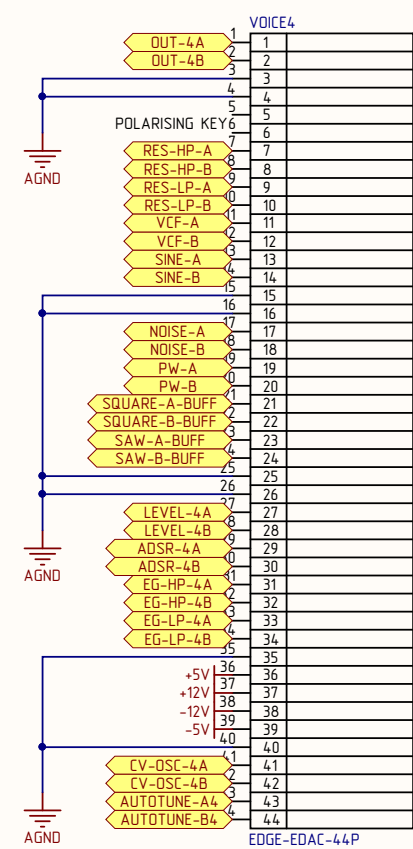
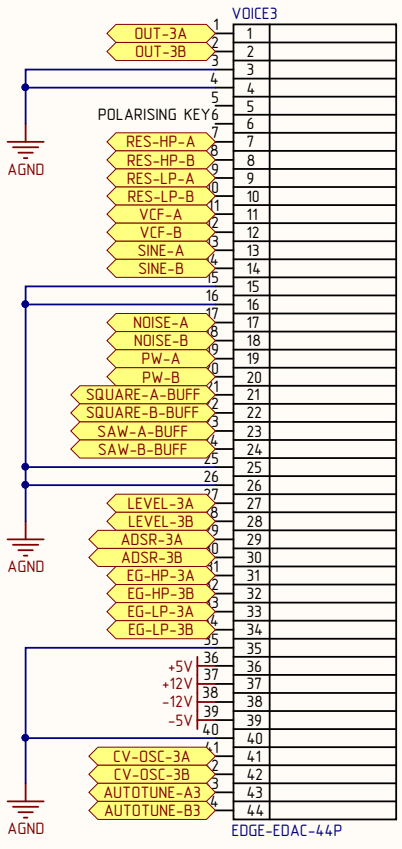
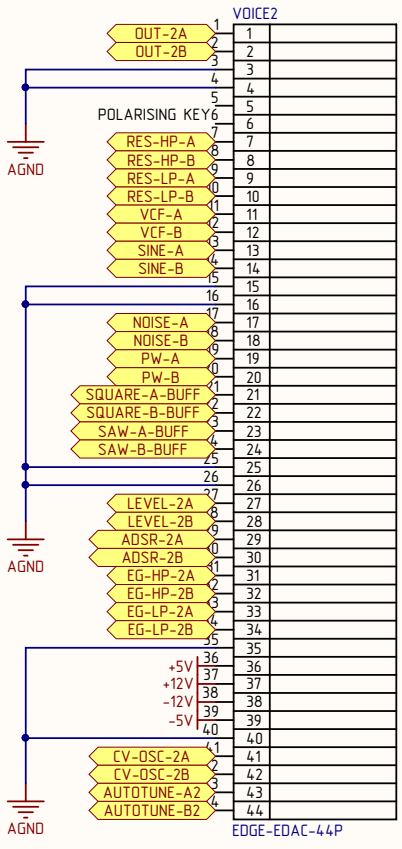
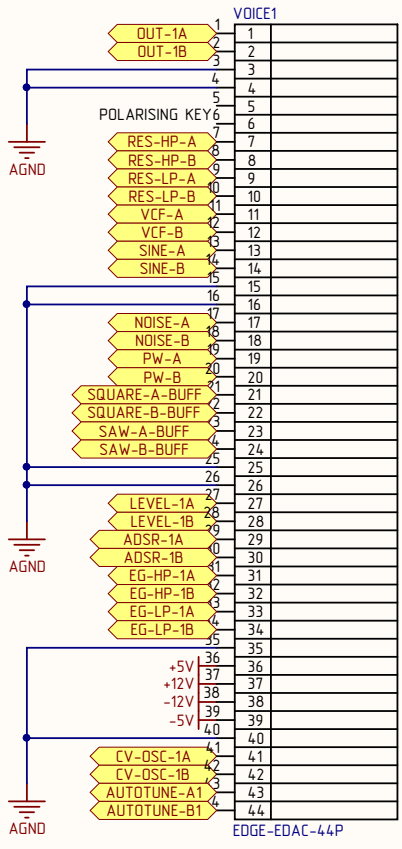
B

C

C

D

D



A

A

B

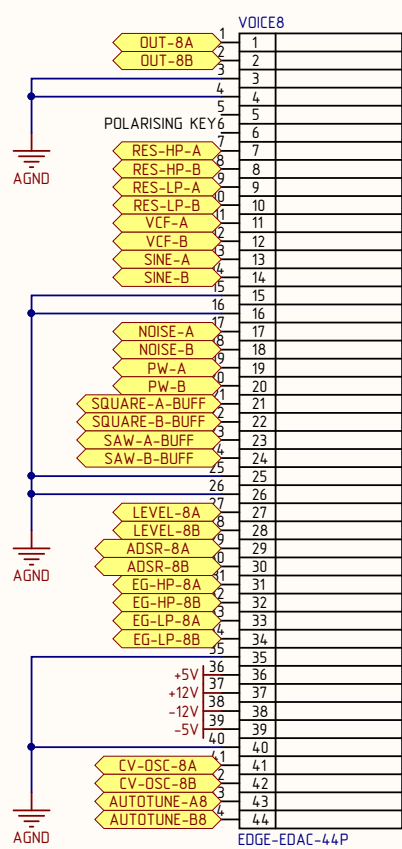
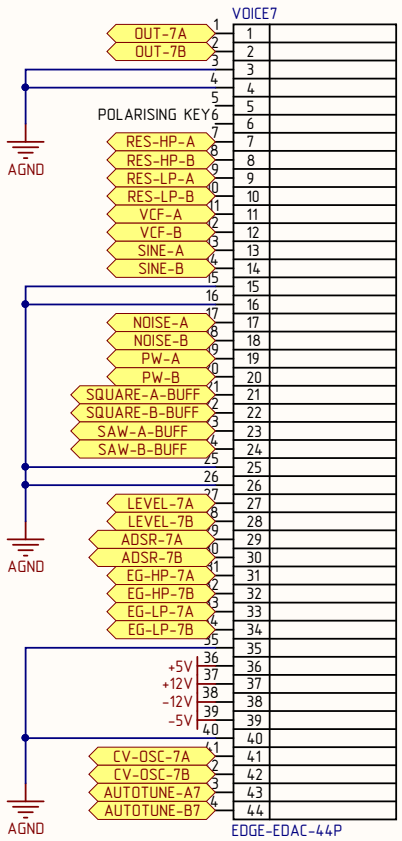
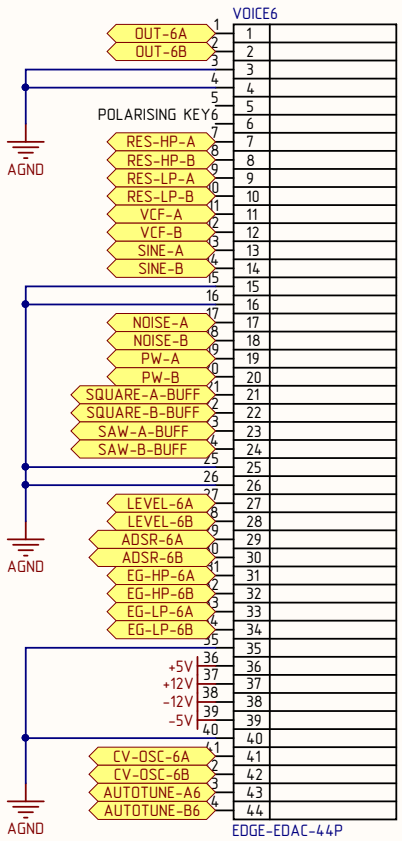
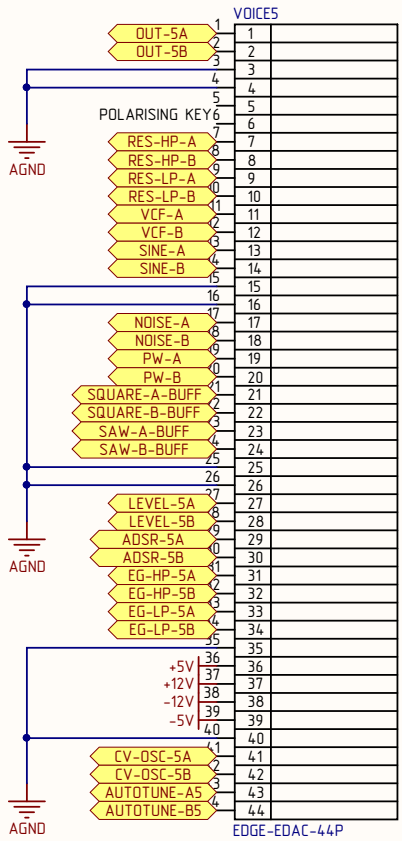
B

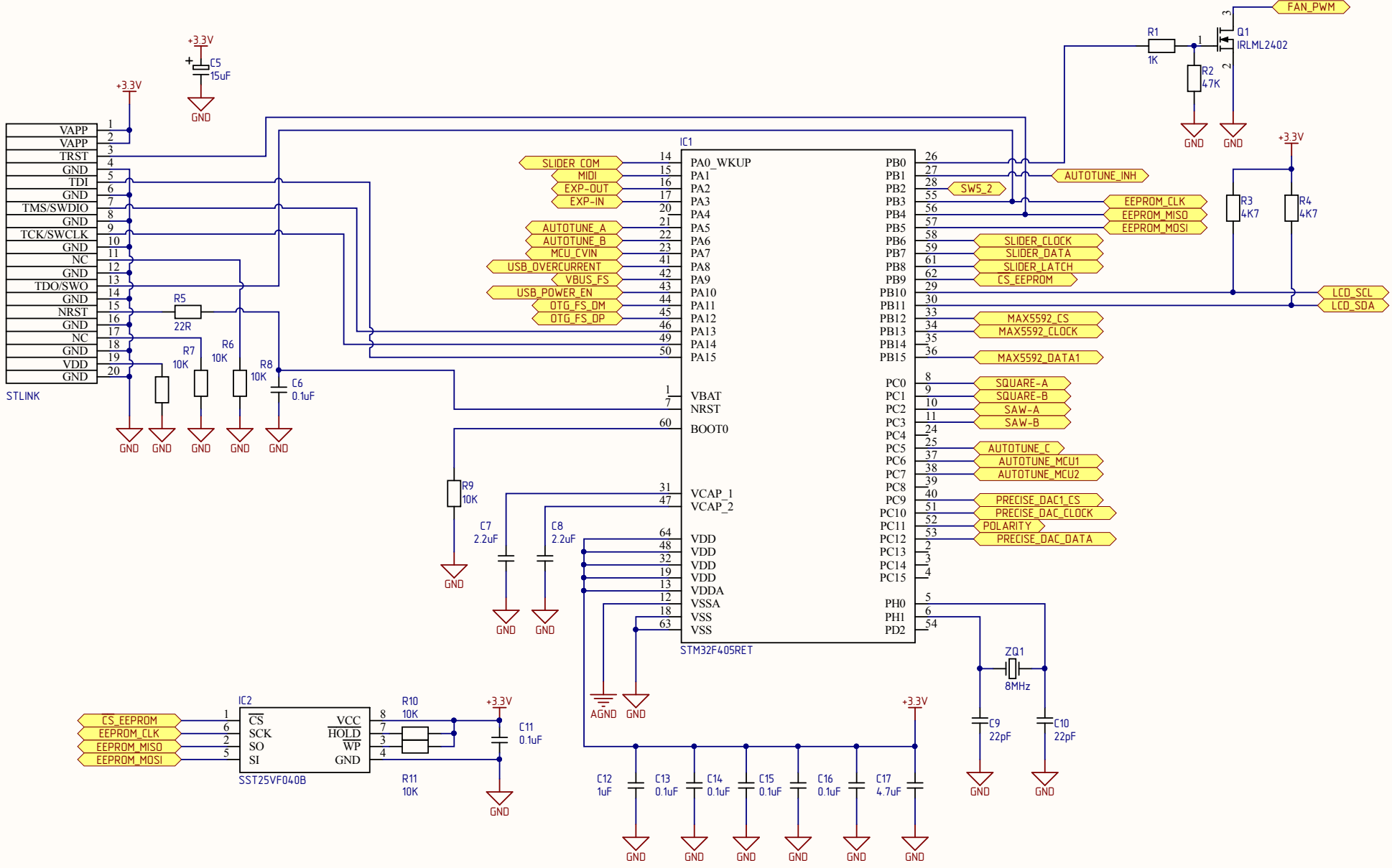
C

C

D

D





1

2

3

4

A

A

B

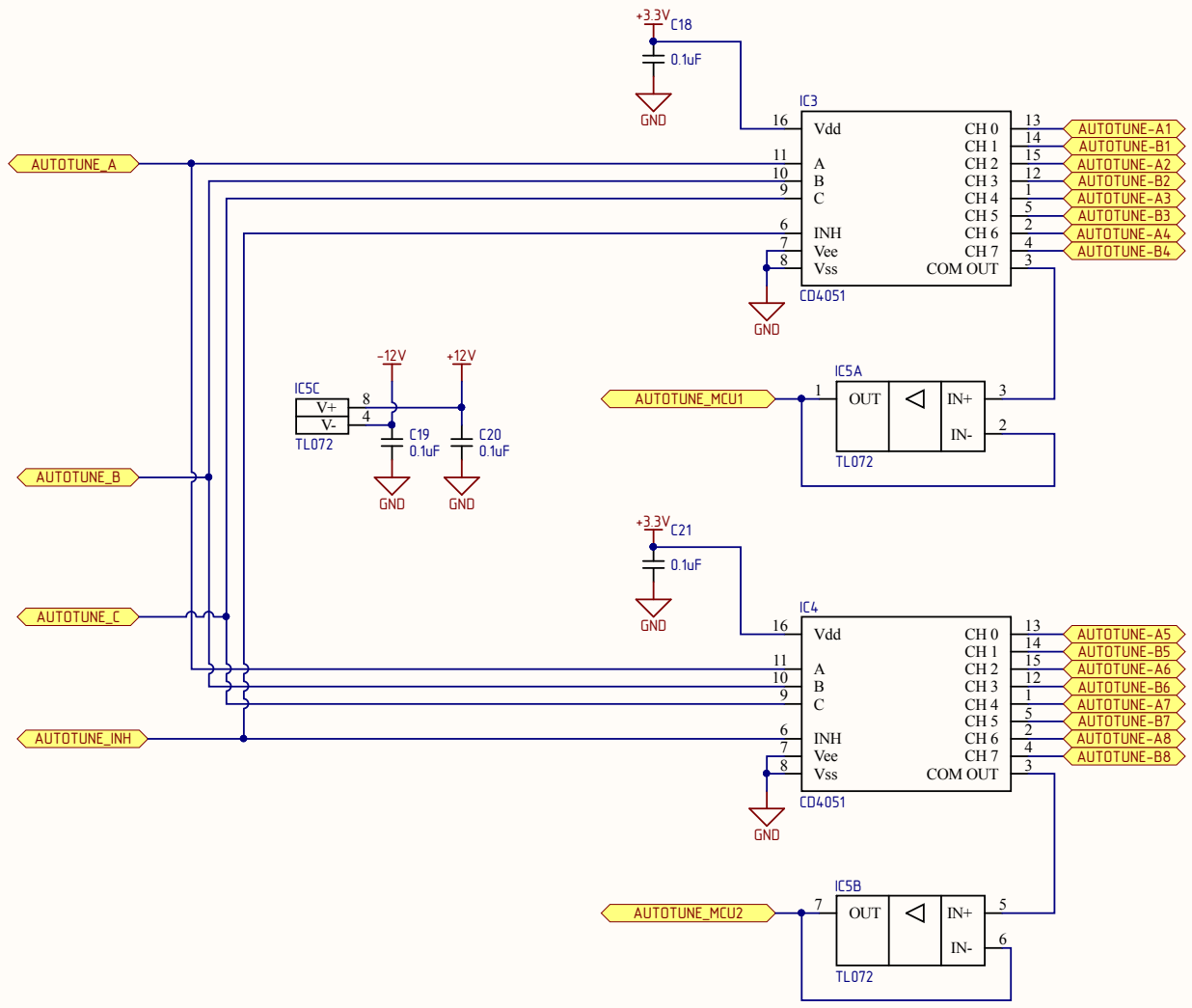
B

C

C

D

D

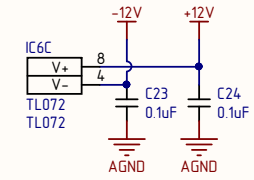
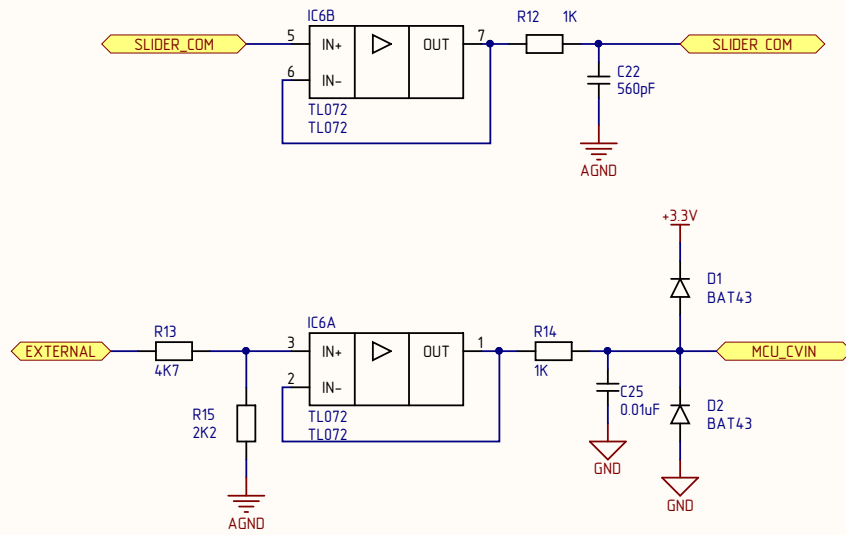


1

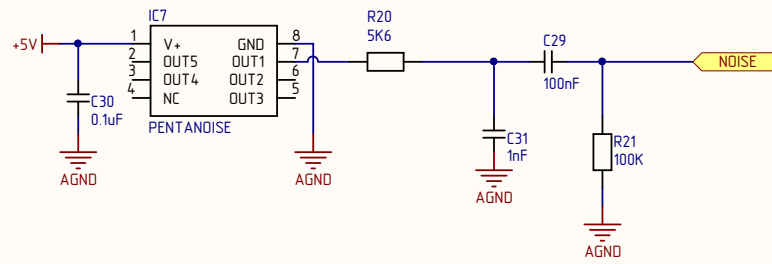
2

3

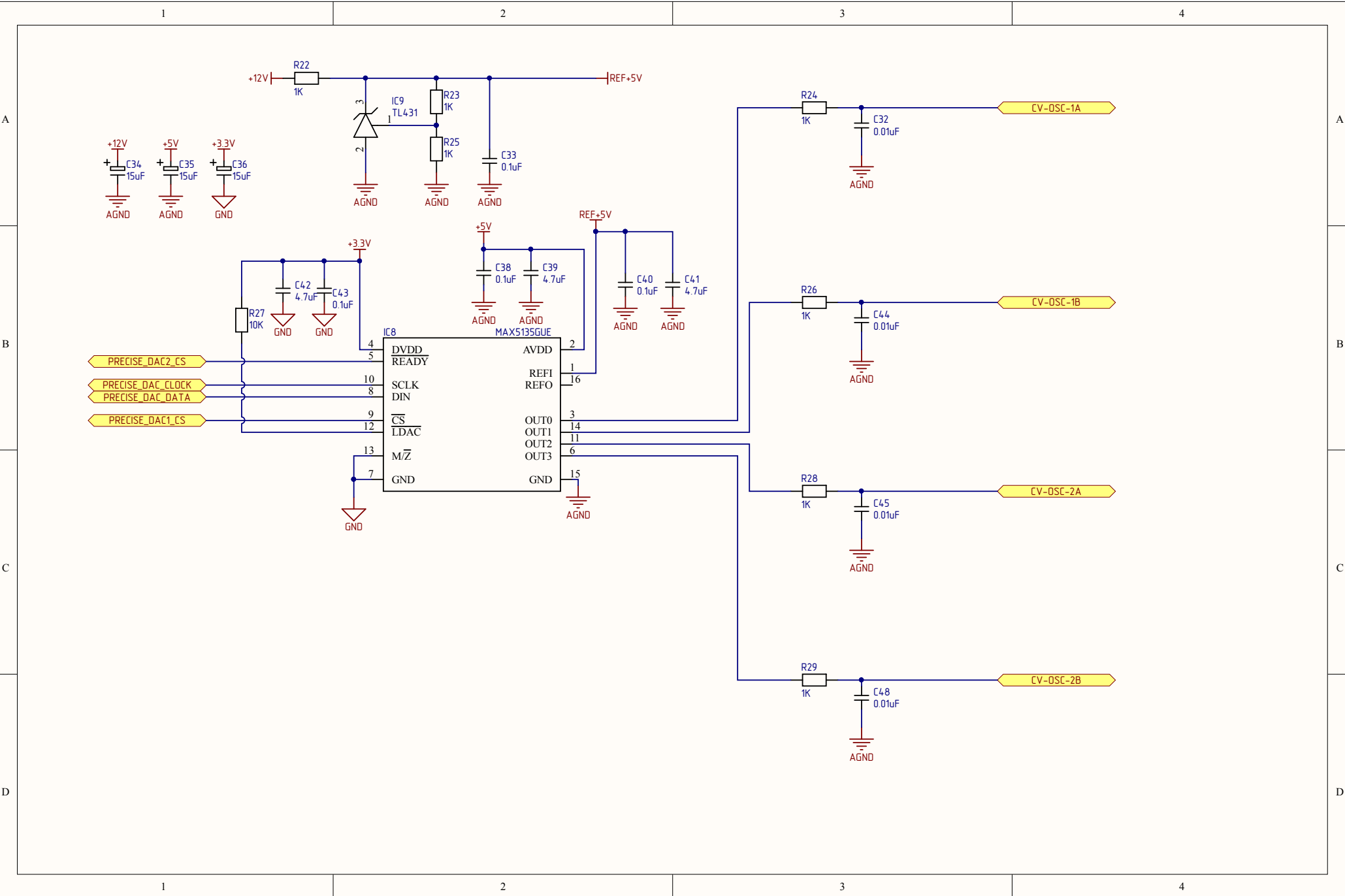
4



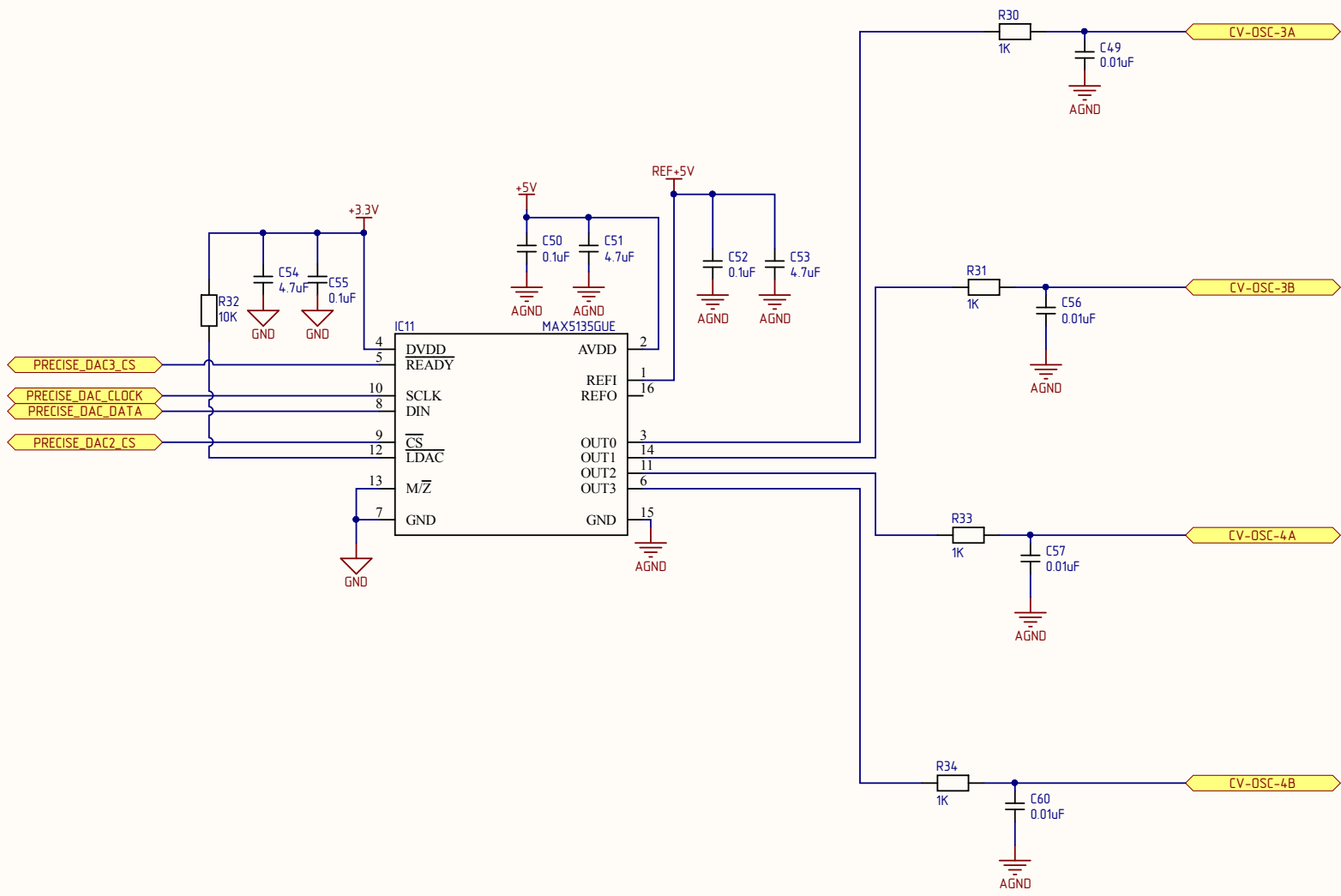
Title		
Size A4	Number	Revision
Date:	2017/12/07	Sheet of
File:	C:\Users\...CV.SchDoc	Drawn By:

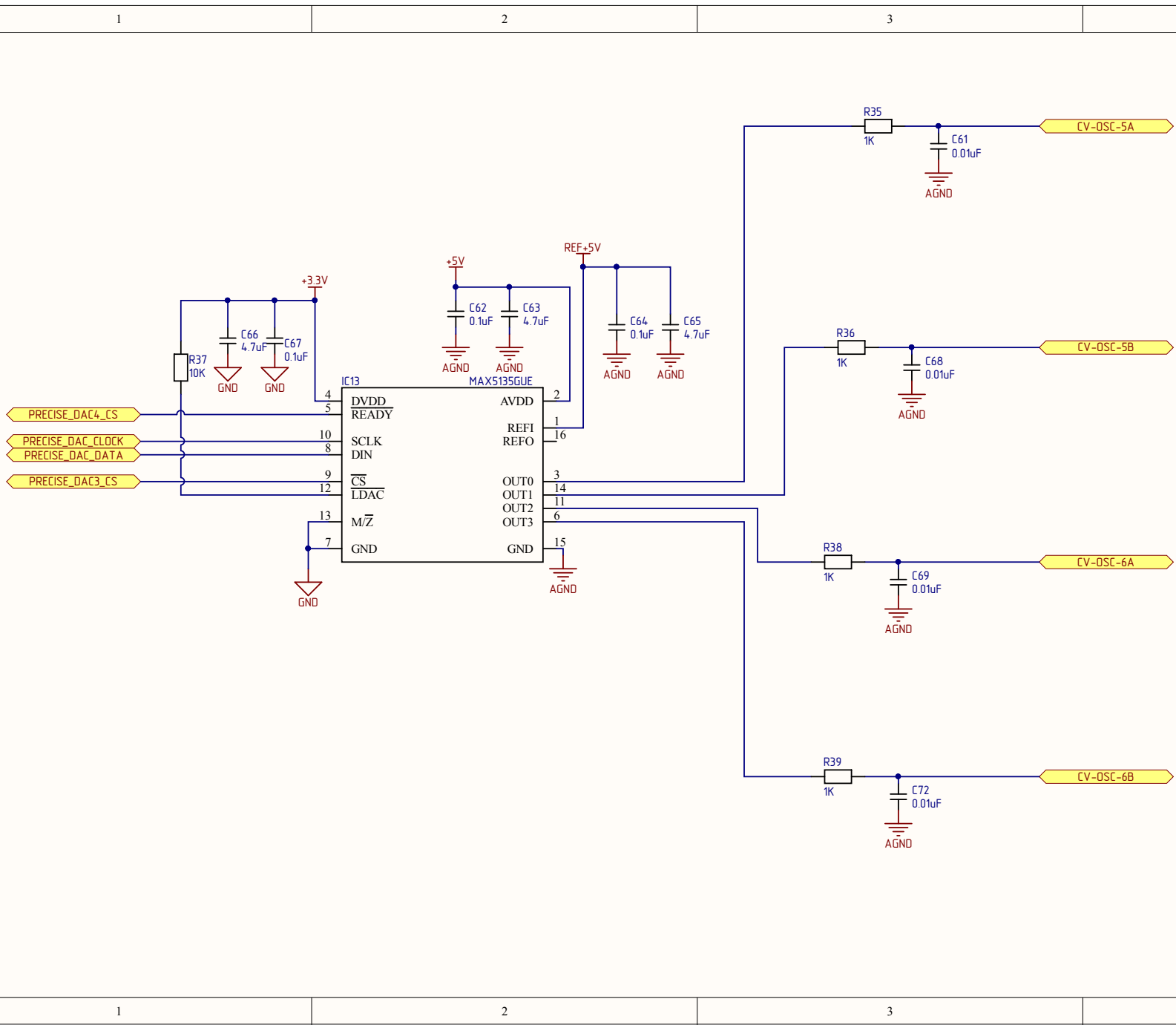


Title		
Size A4	Number	Revision
Date: 2017/12/07	Sheet of	
File: C:\Users\...\NOISE.SchDoc	Drawn By:	









1

2

3

4

A

A

B

B

C

C

D

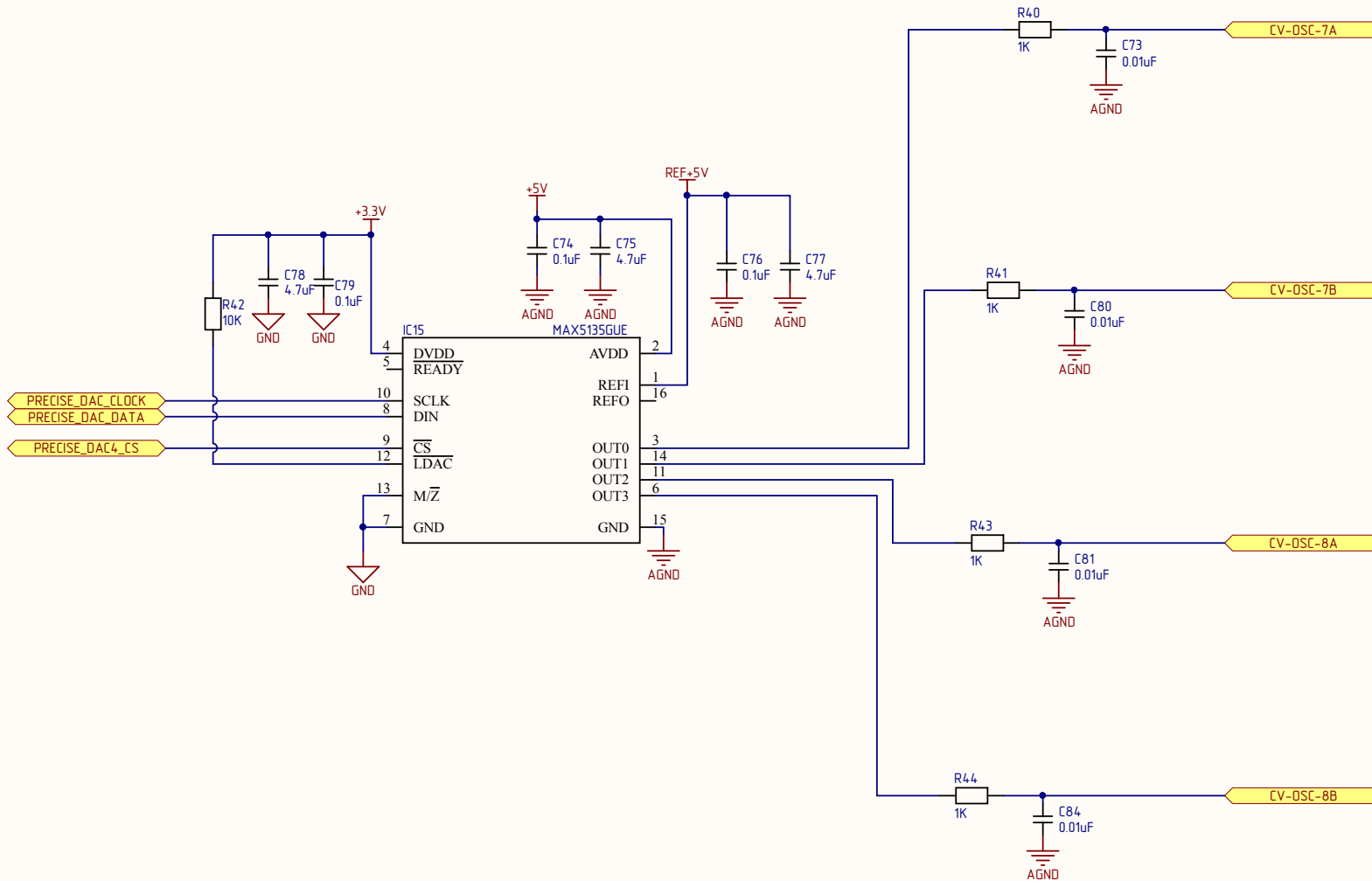
D

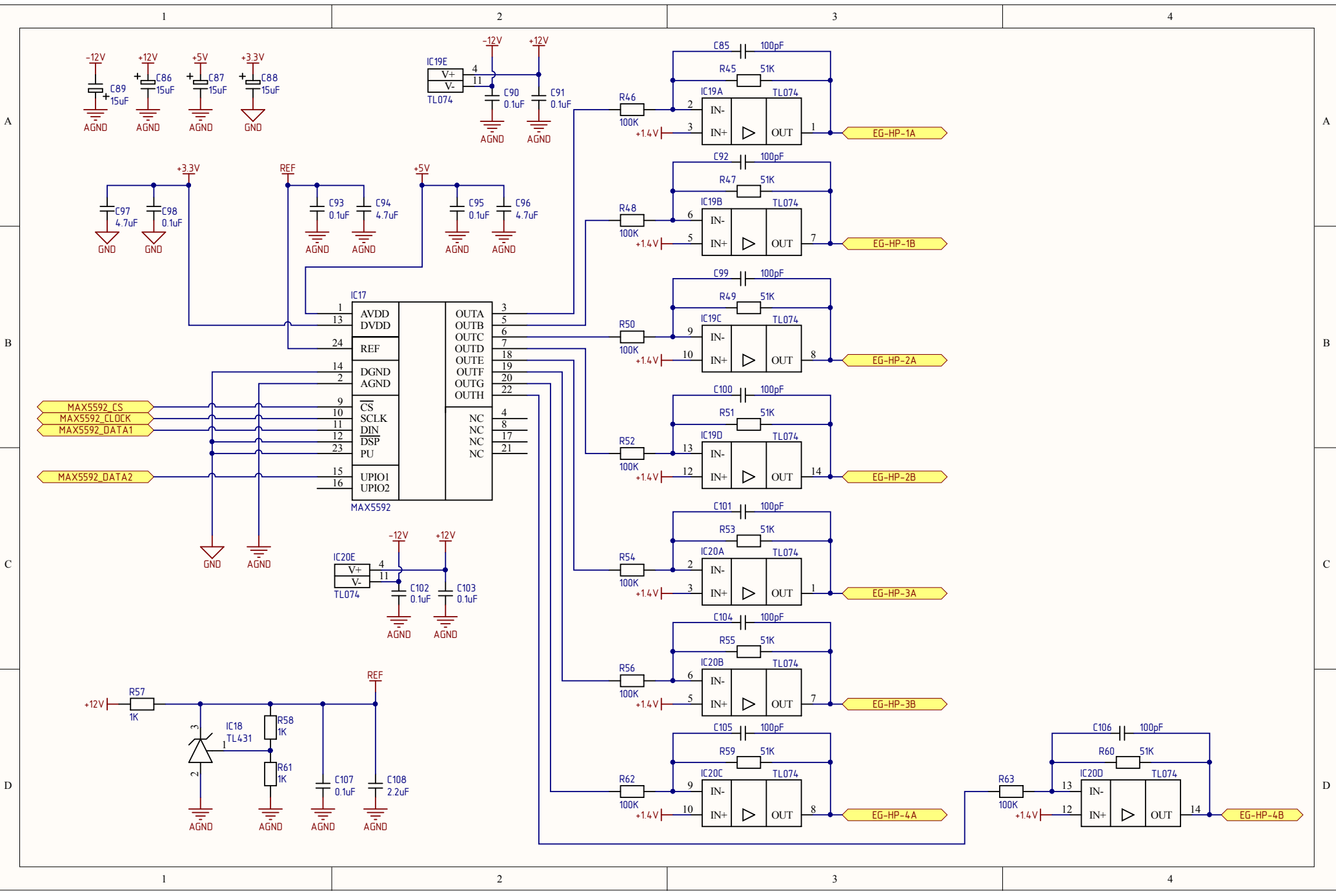
1

2

3

4





1

2

3

4

A

A

B

B

C

C

D

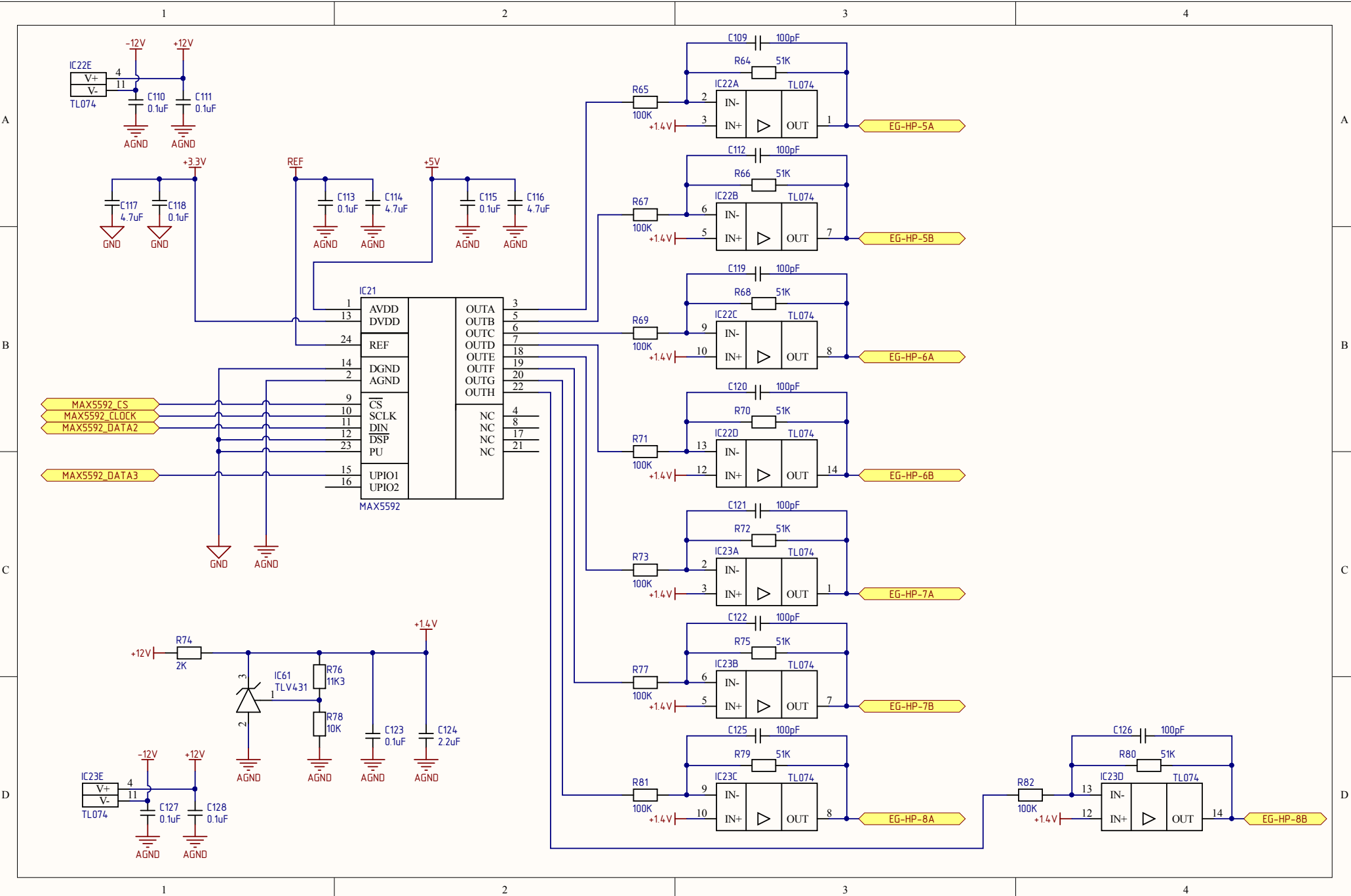
D

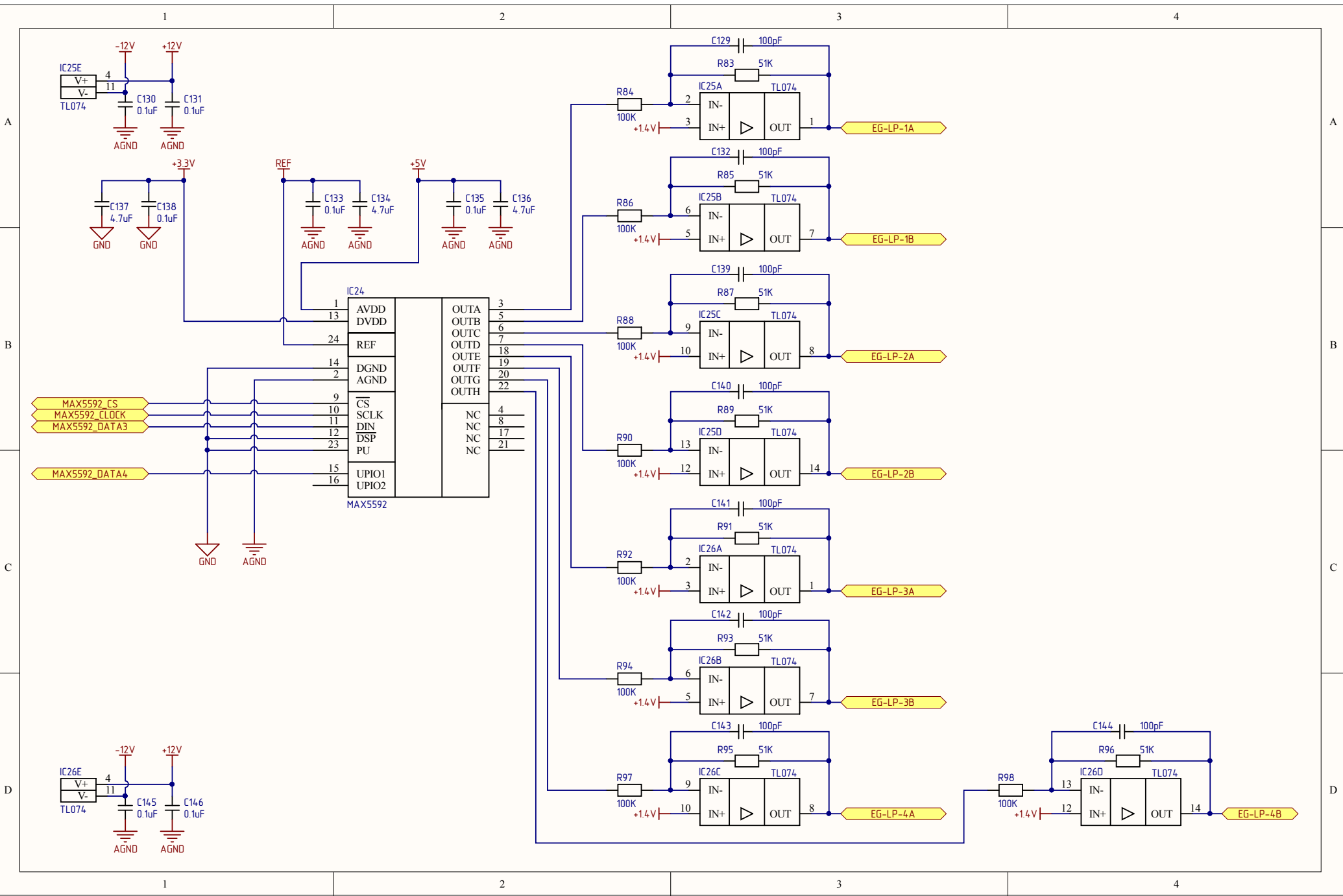
1

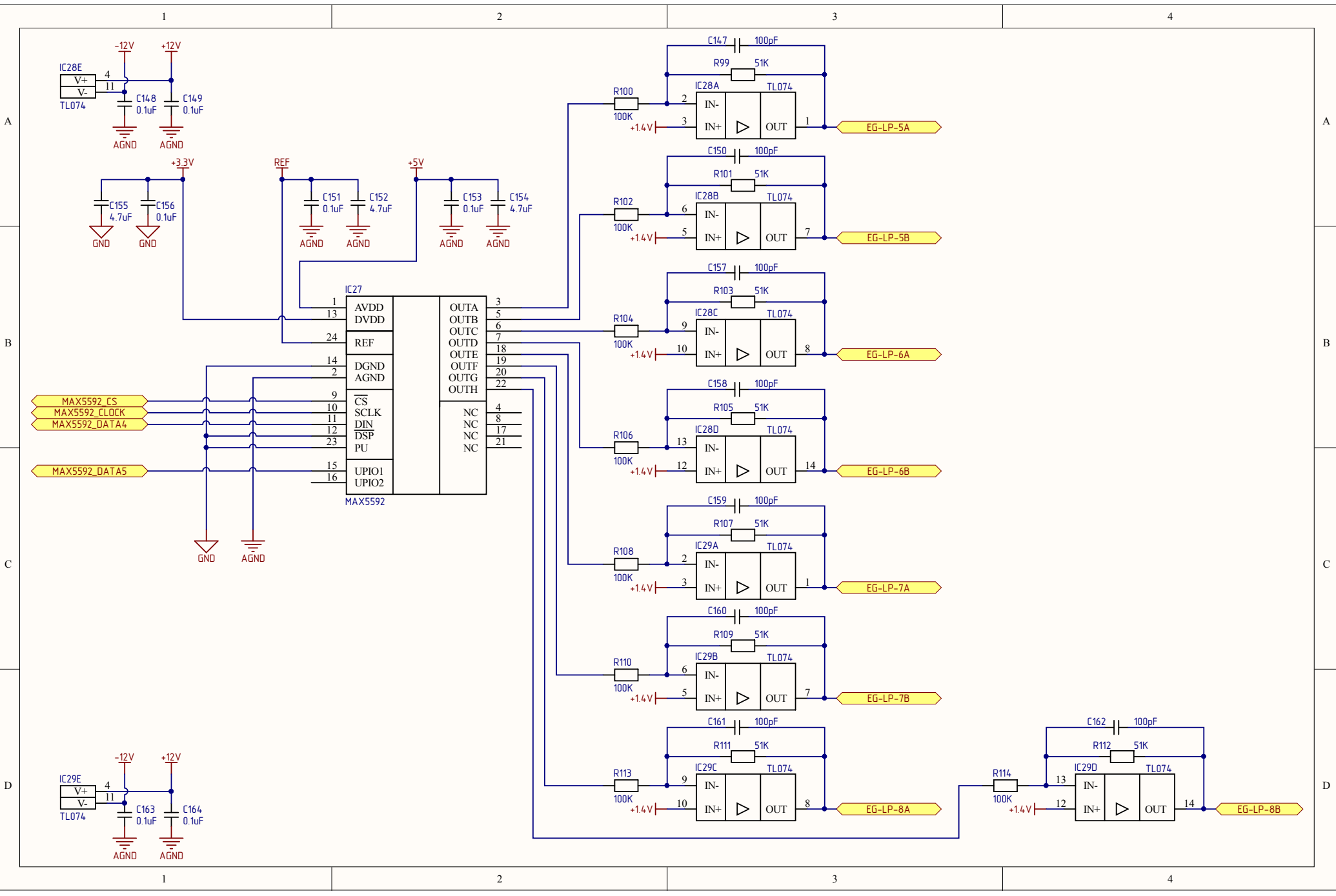
2

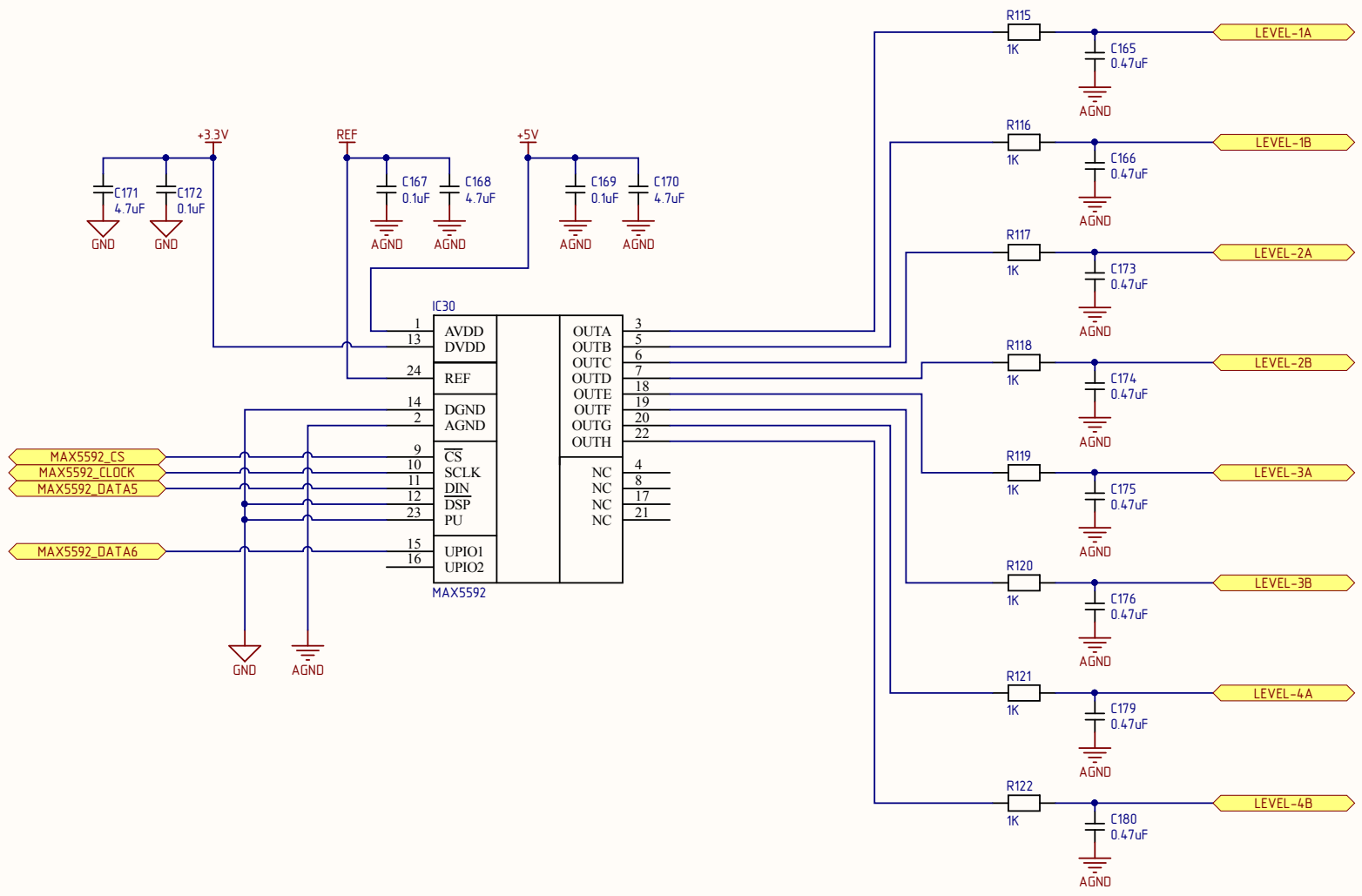
3

4



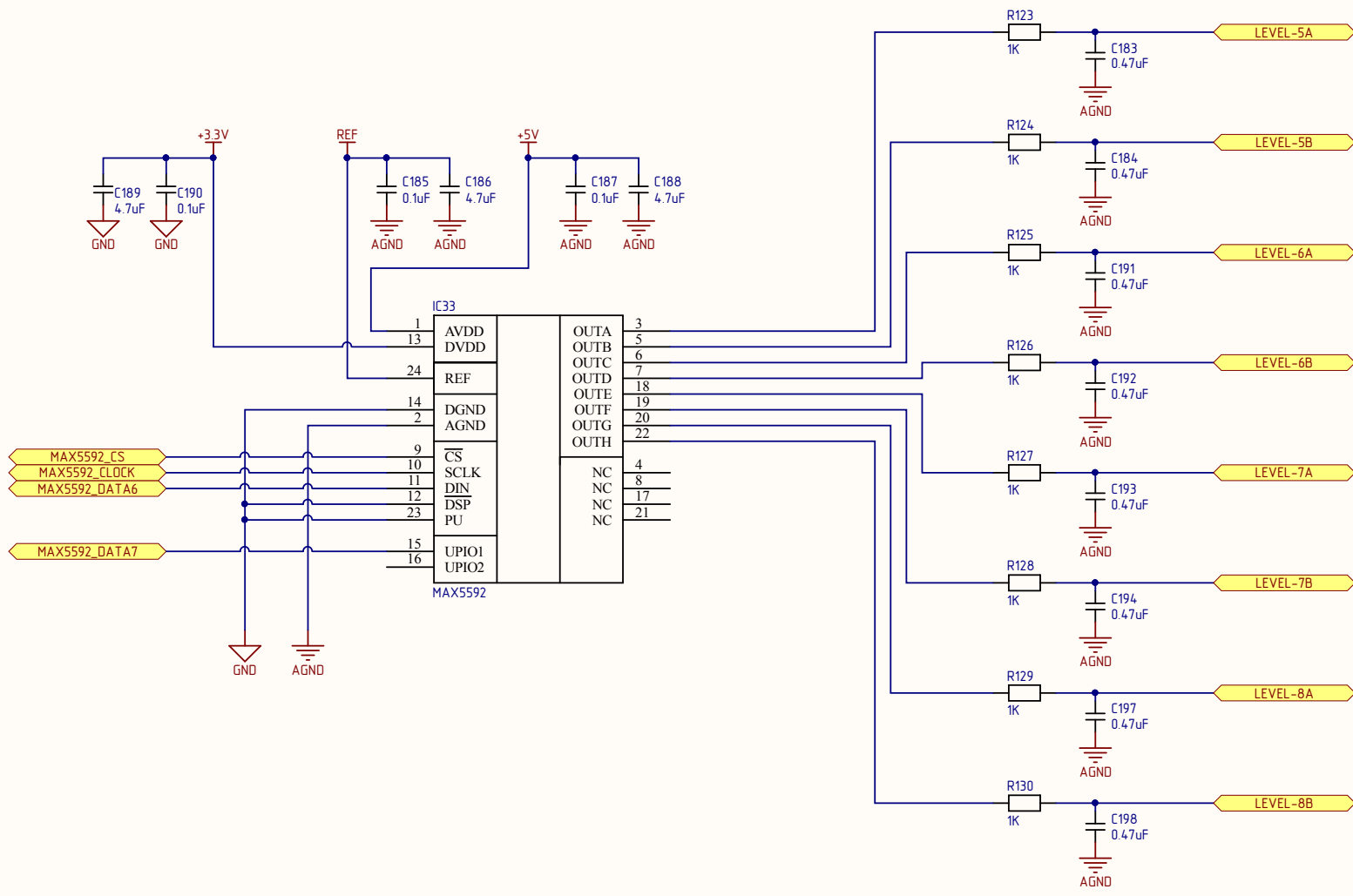




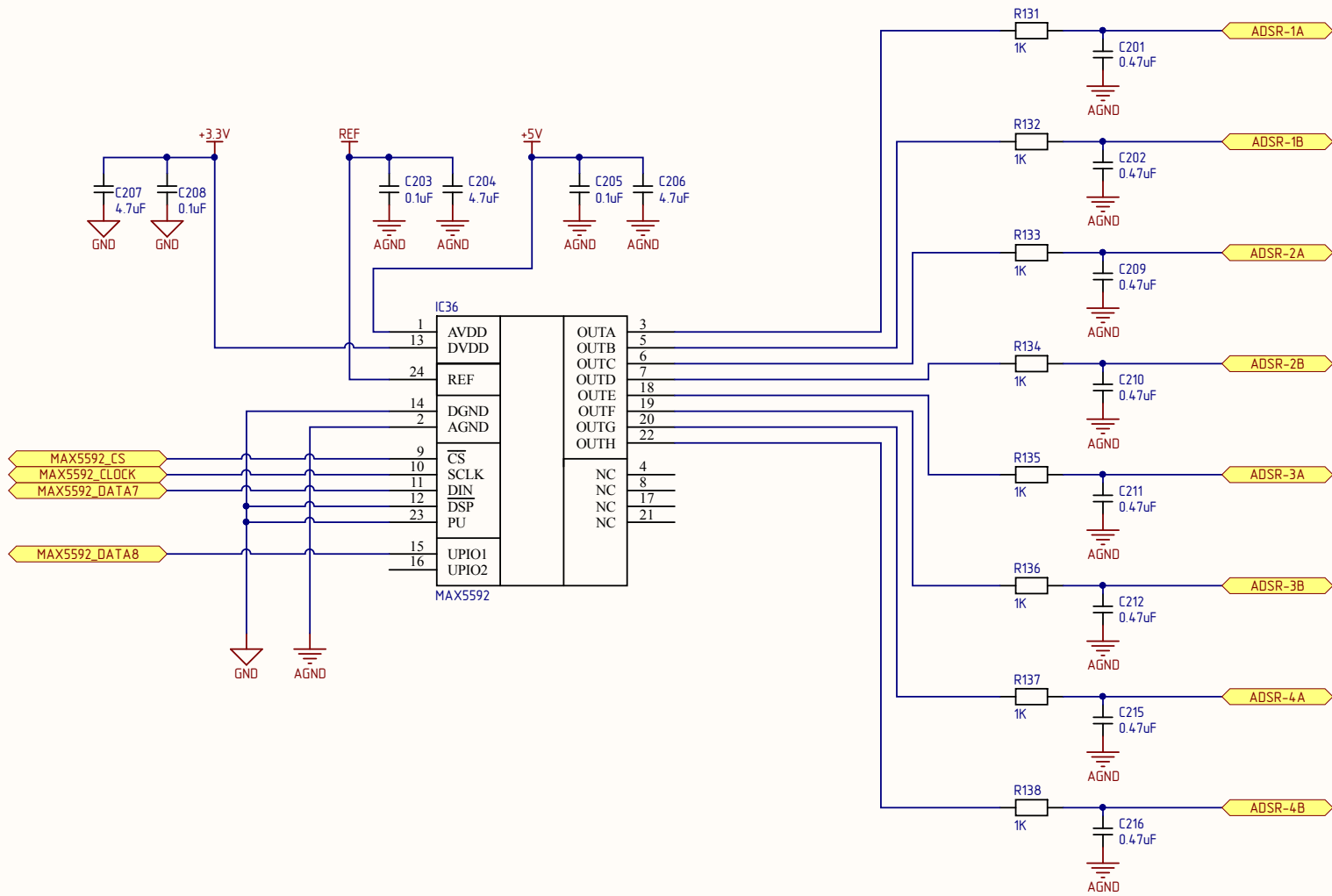


Title		
Size	Number	Revision
A4		
Date:	2017/12/07	Sheet of
File:	C:\Users\...MAX5592_DAC5.SchDoc	Drawn By:

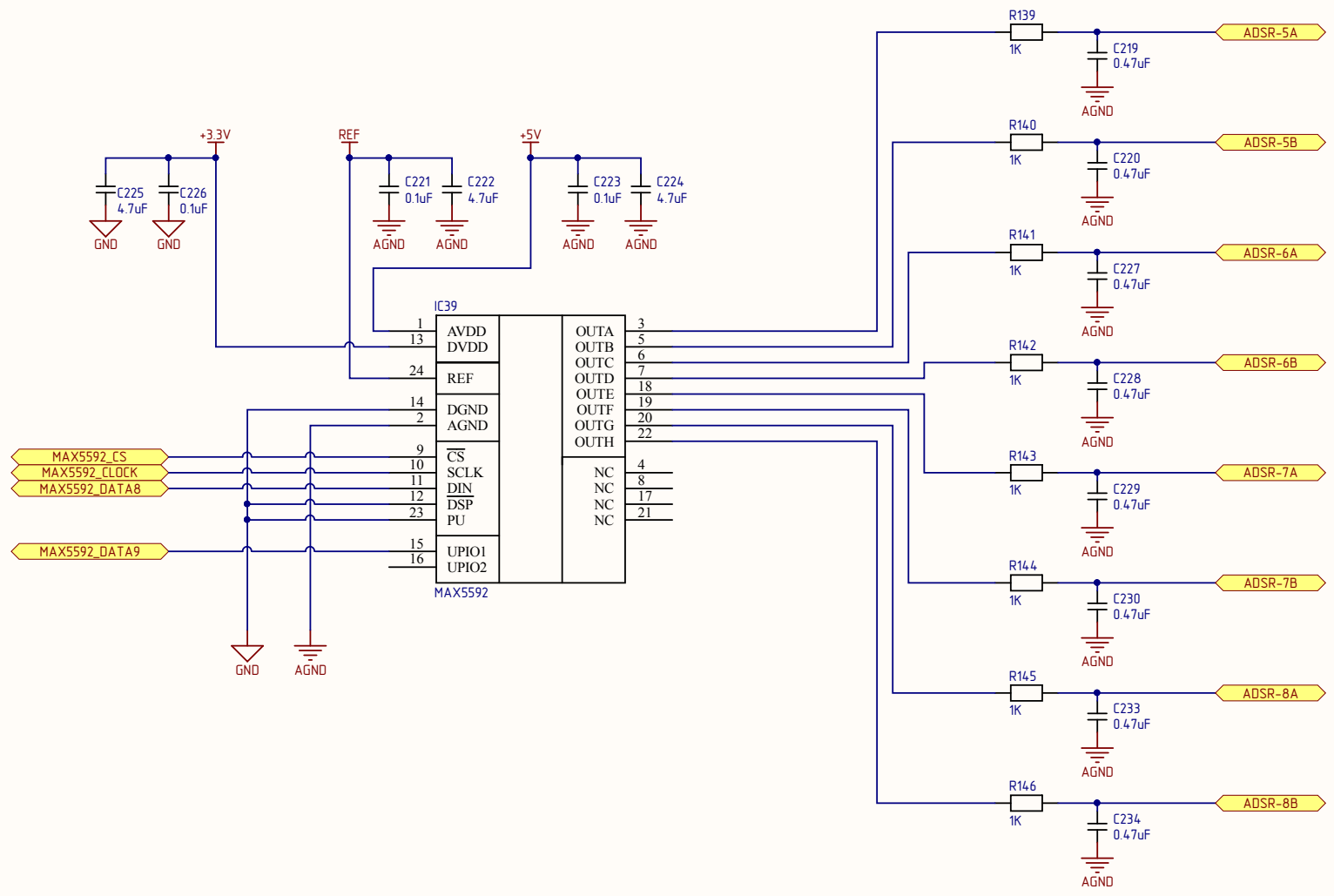




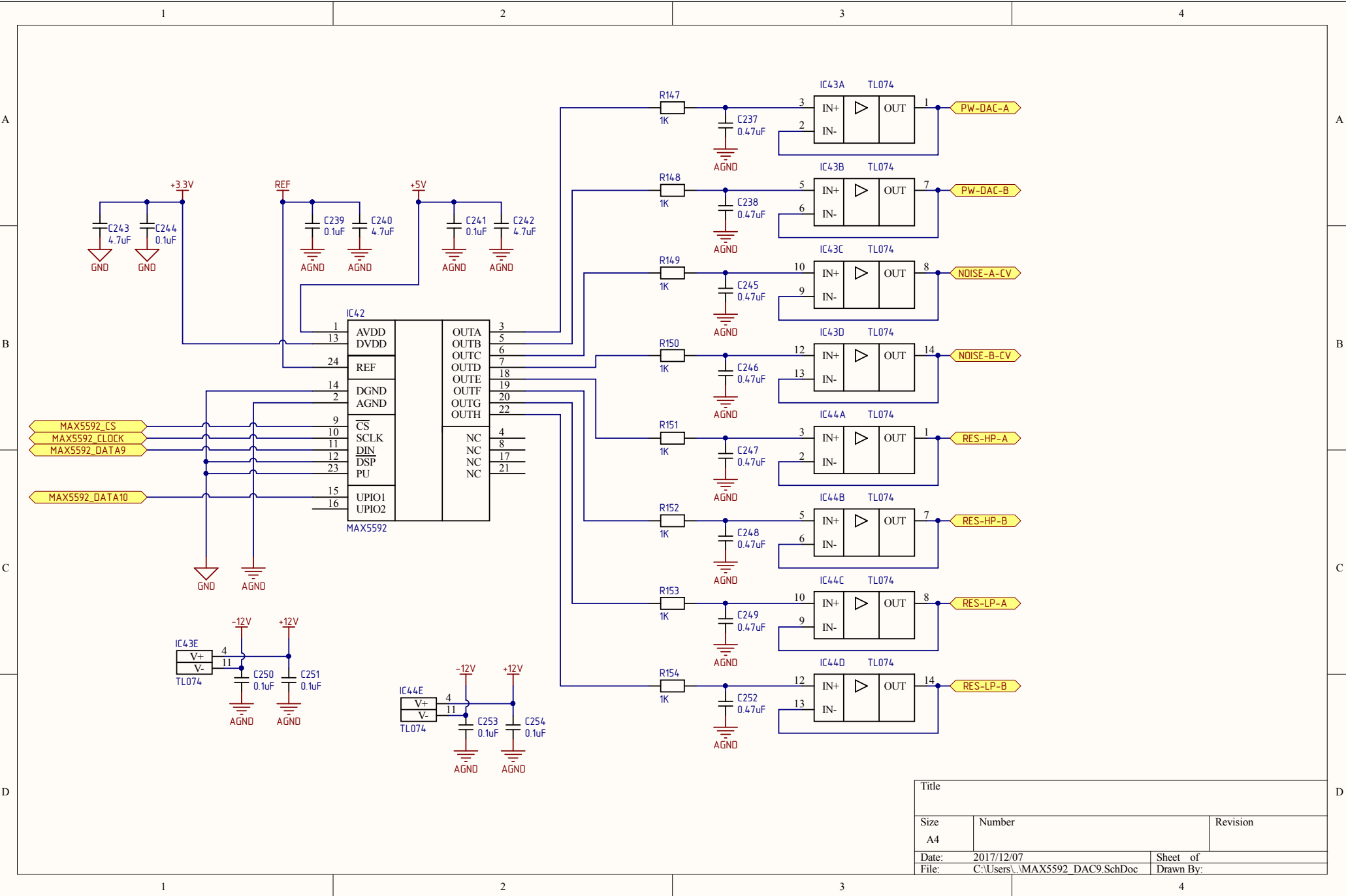
Title		
Size	Number	Revision
A4		
Date:	2017/12/07	Sheet of
File:	C:\Users\...MAX5592_DAC6.SchDoc	Drawn By:



Title		
Size	Number	Revision
A4		
Date:	2017/12/07	Sheet of
File:	C:\Users\...MAX5592_DAC7.SchDoc	Drawn By:



Title		
Size	Number	Revision
A4		
Date:	2017/12/07	Sheet of
File:	C:\Users\...MAX5592_DAC8.SchDoc	Drawn By:

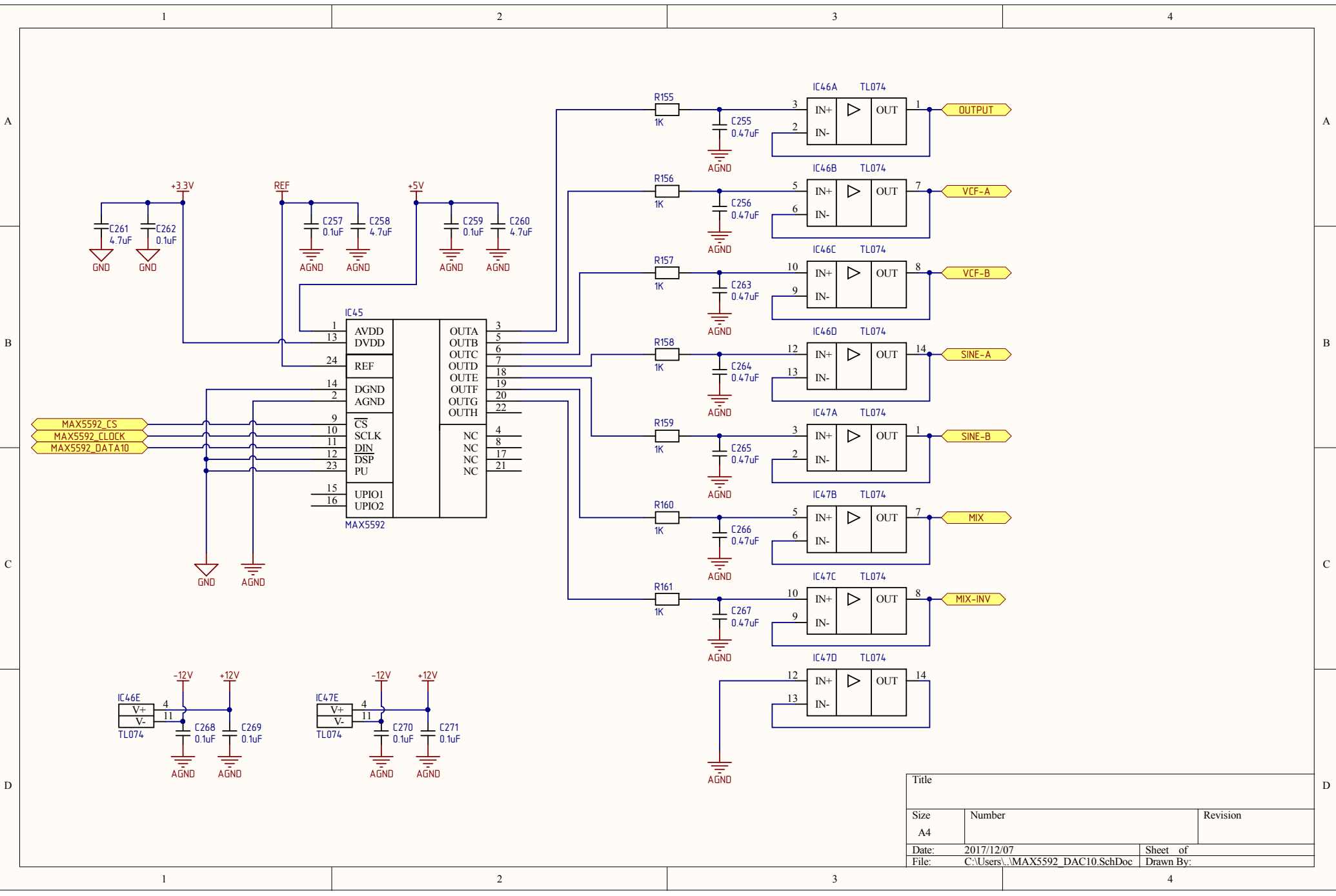


Title		
Size A4	Number	Revision
Date:	2017/12/07	Sheet of
File:	C:\Users\...MAX5592_DAC9.SchDoc	Drawn By:

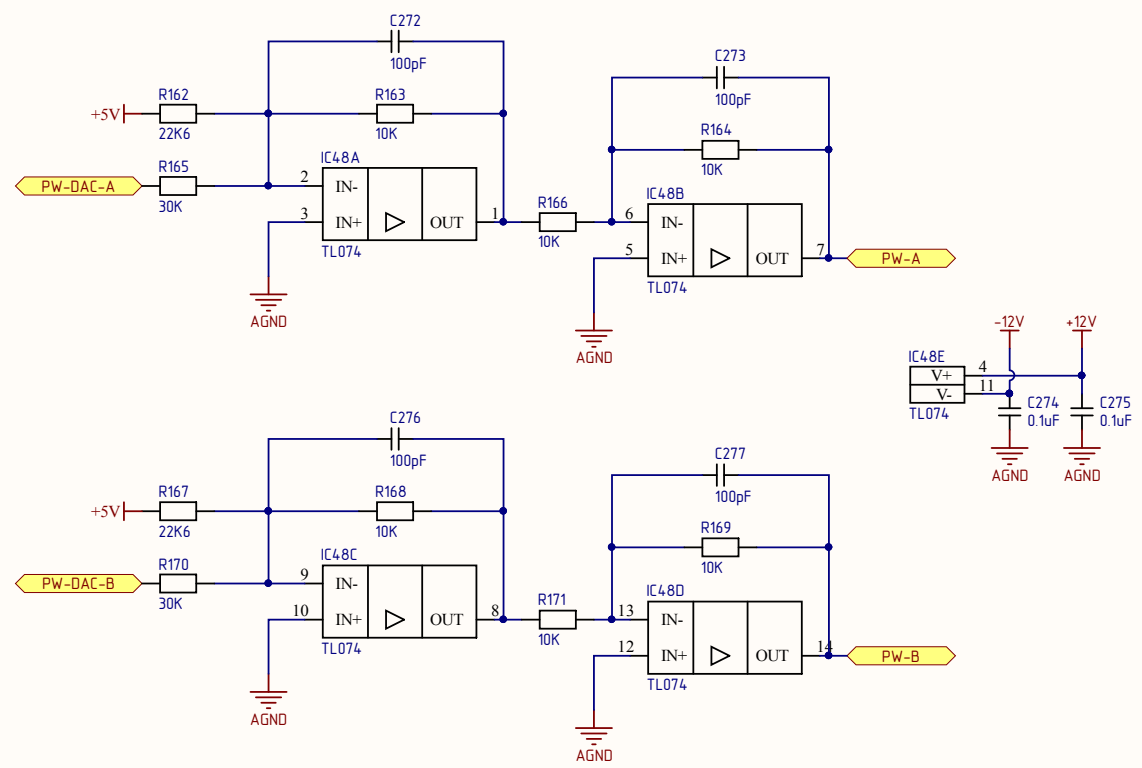
A  
B  
C  
D

A  
B  
C  
D

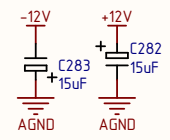
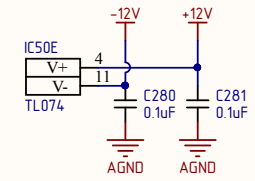
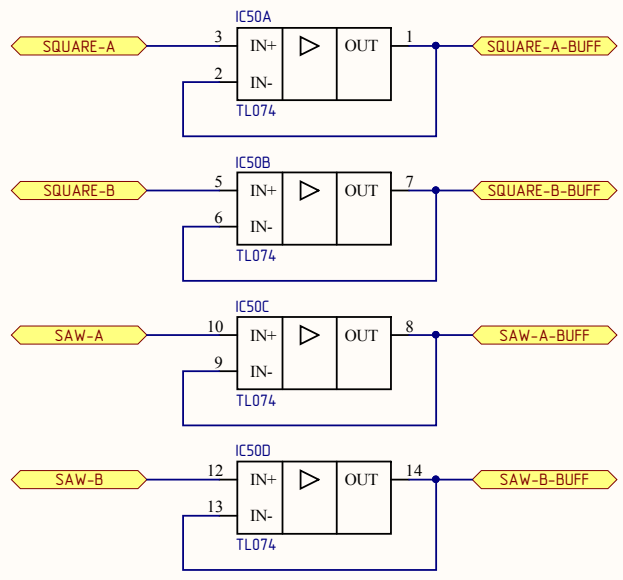
1 2 3 4



Title		
Size	Number	Revision
A4		
Date:	2017/12/07	Sheet of
File:	C:\Users\...MAX5592_DAC10.SchDoc	Drawn By:



Title		
Size A4	Number	Revision
Date: 2017/12/07	Sheet of	
File: C:\Users\...\PWM.SchDoc	Drawn By:	



Title		
Size A4	Number	Revision
Date:	2017/12/07	Sheet of
File:	C:\Users\...\SUB.SchDoc	Drawn By:

1

2

3

4

A

A

B

B

C

C

D

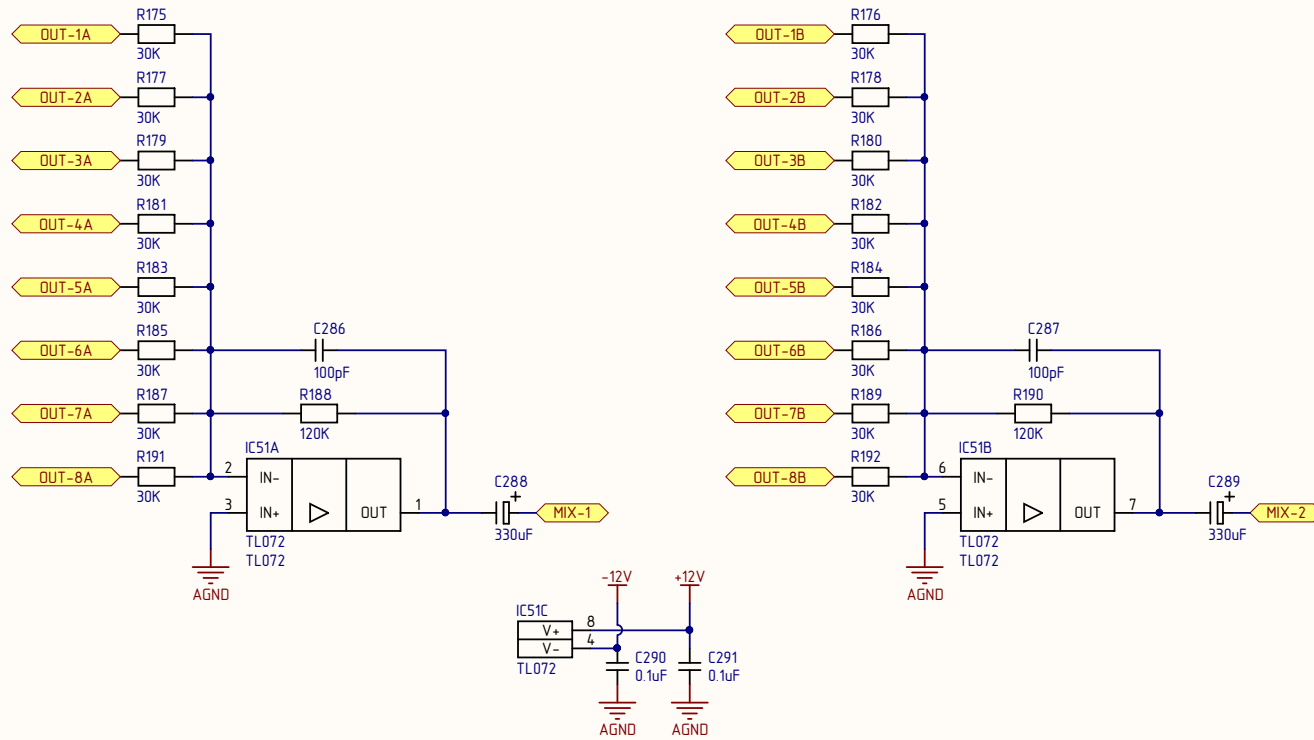
D

1

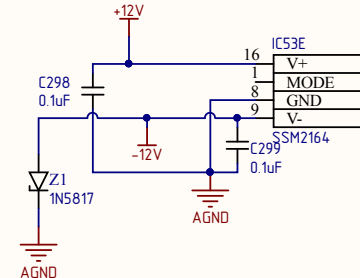
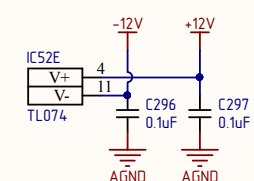
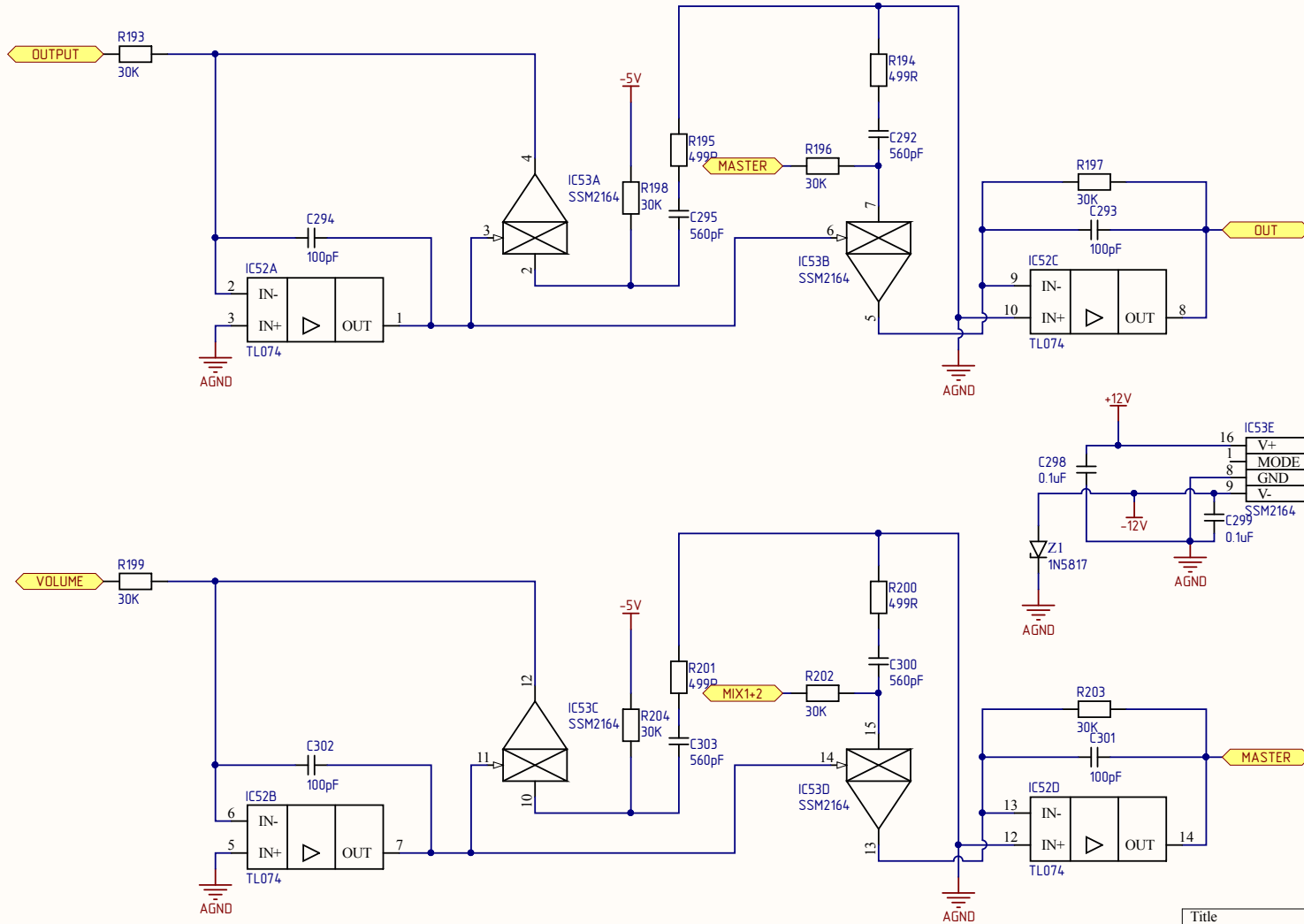
2

3

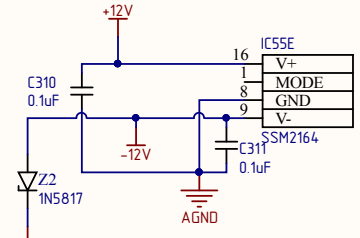
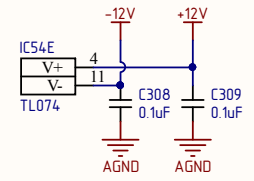
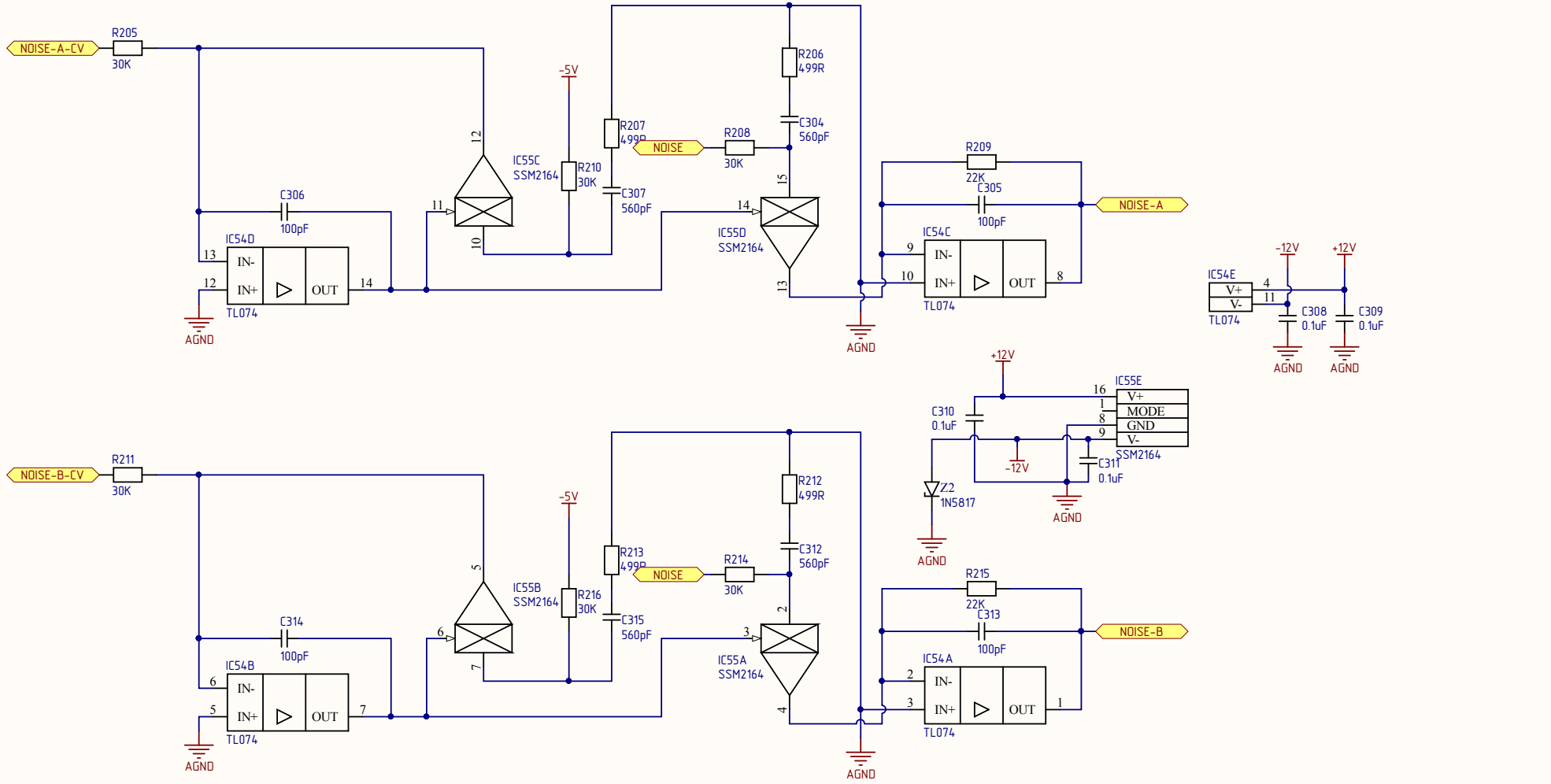
4







Title		
Size	Number	Revision
A4		
Date:	2017/12/07	Sheet of
File:	C:\Users\...\VCA-1.SchDoc	Drawn By:



Title		
Size	Number	Revision
A4		
Date:	2017/12/07	Sheet of
File:	C:\Users\...\VCA-2.SchDoc	Drawn By:

1

2

3

4

A

A

B

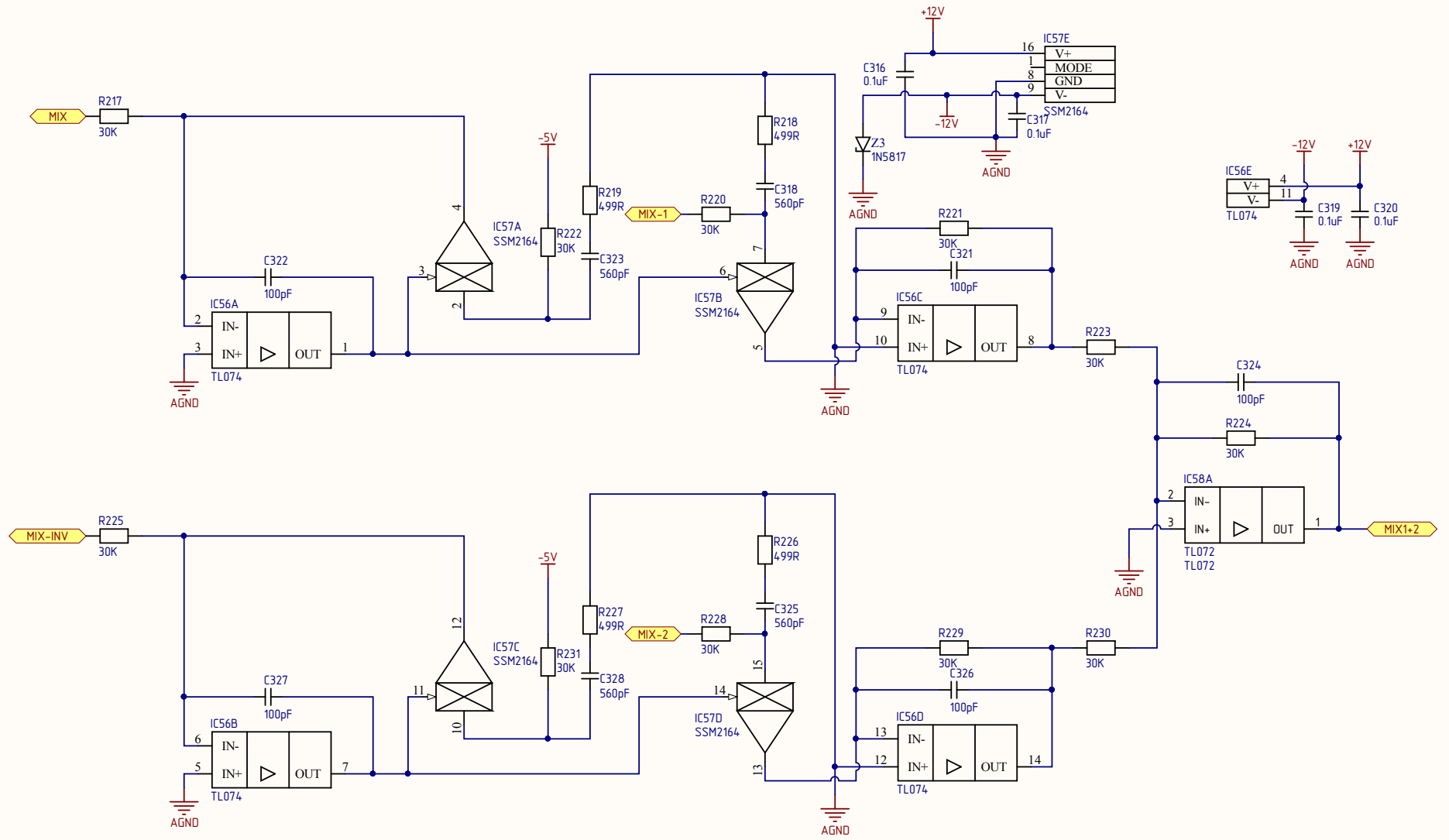
B

C

C

D

D



Title		
Size	Number	Revision
A4		
Date:	2017/12/07	Sheet of
File:	C:\Users\...\VCA-3.SchDoc	Drawn By:

1

2

3

4

1

2

3

4

A

A

B

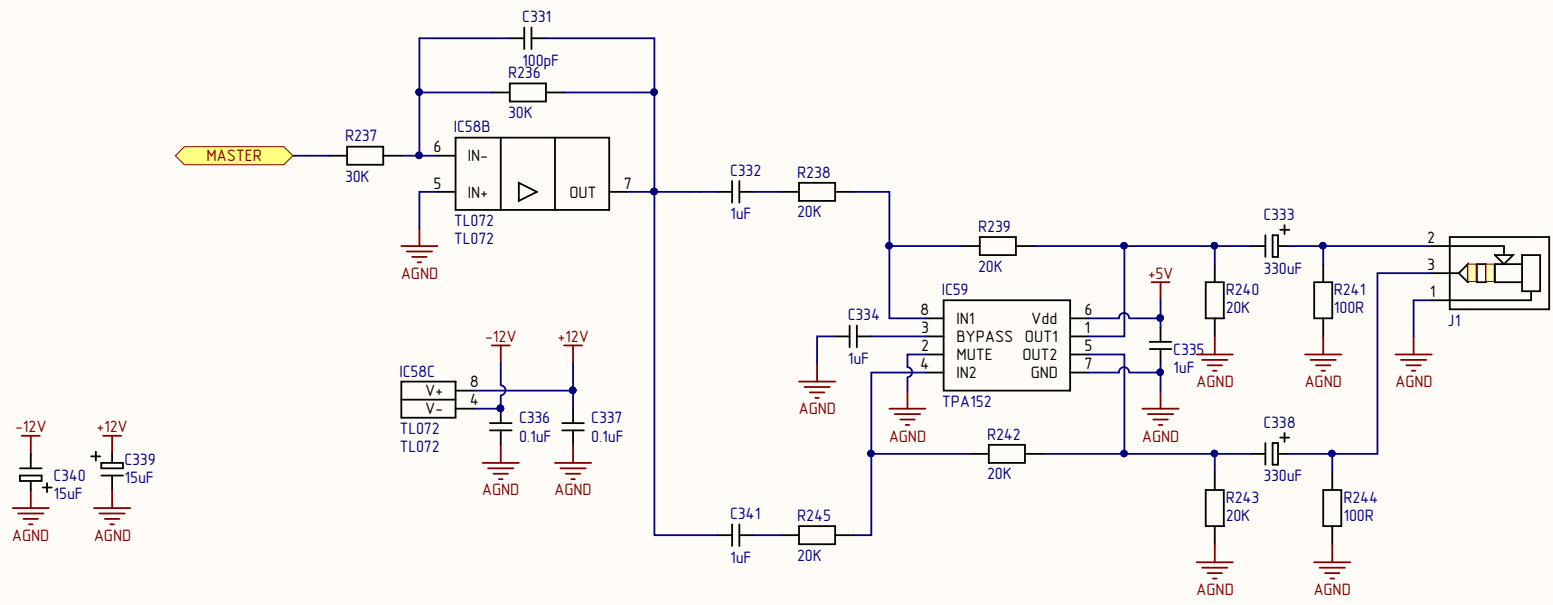
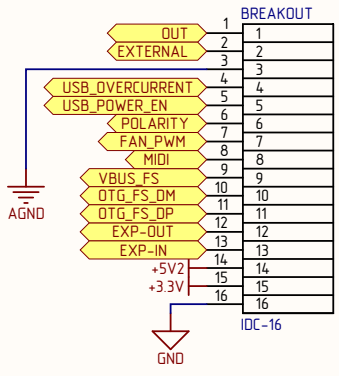
B

C

C

D

D



1

2

3

4

