

1

2

3

4

A

A

B

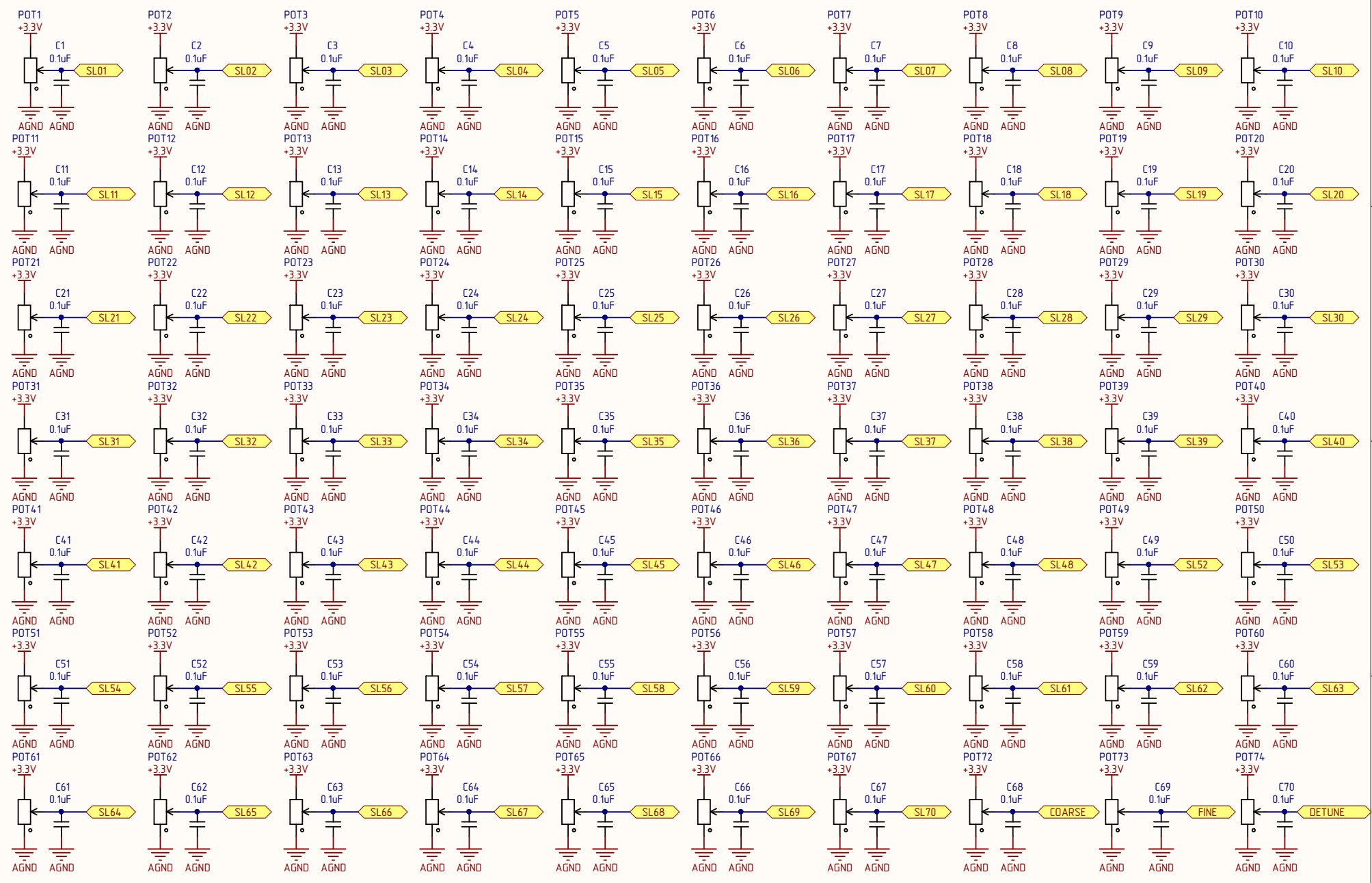
B

C

C

D

D



1

2

3

4

1

2

3

4

A

A

B

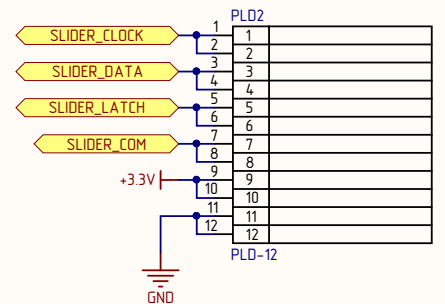
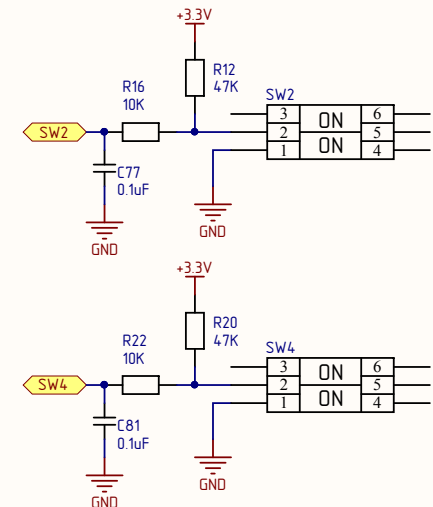
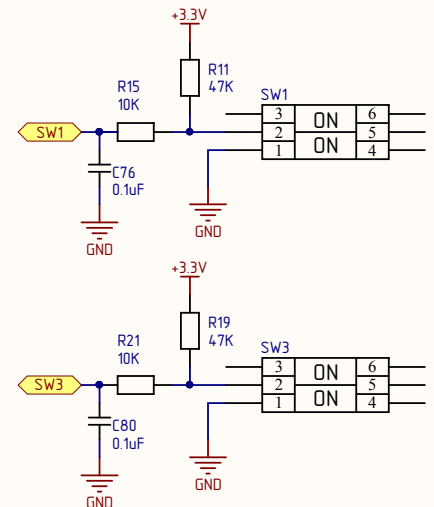
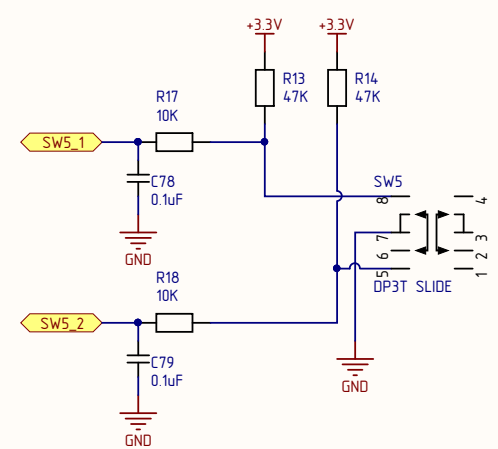
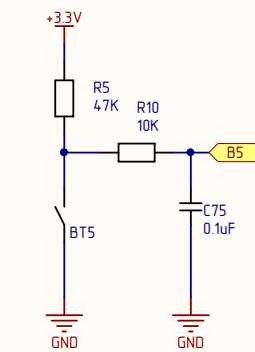
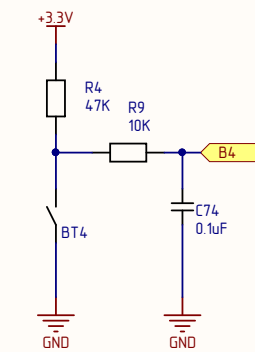
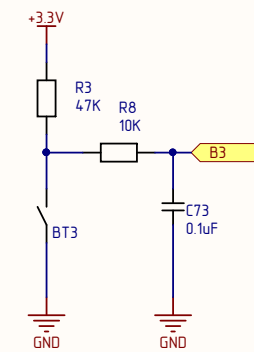
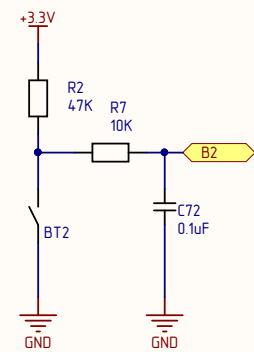
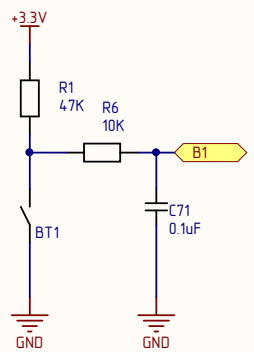
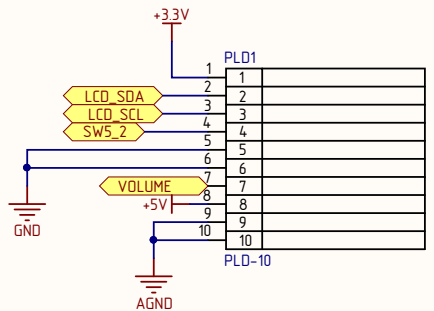
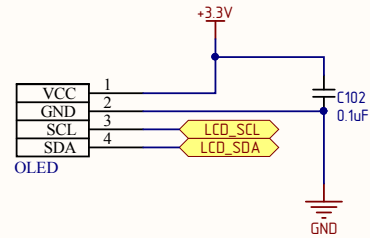
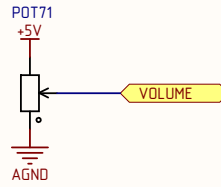
B

C

C

D

D

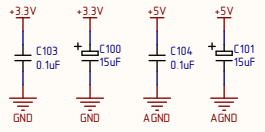
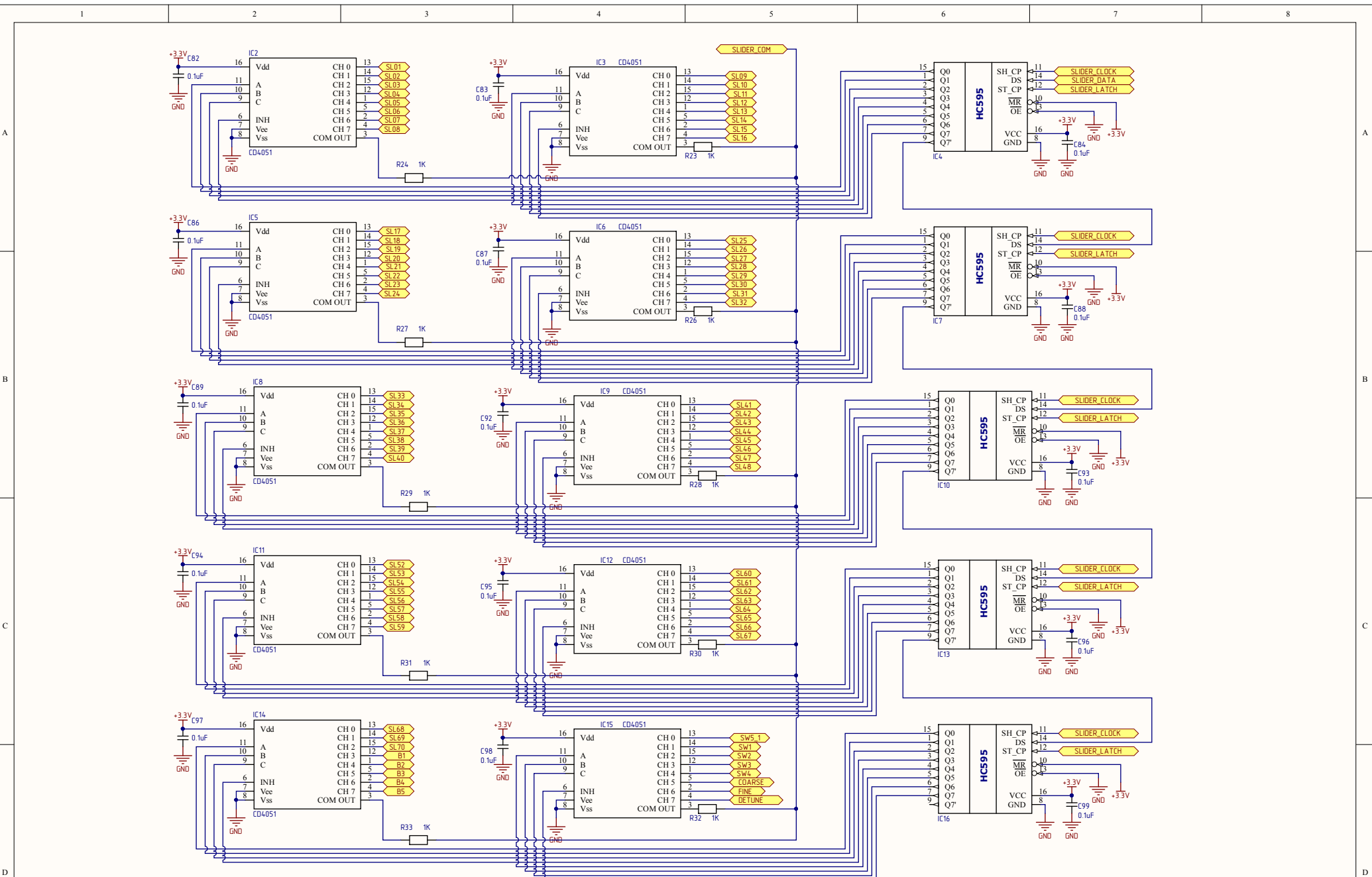


1

2

3

4



Title		
Size	Number	Revision
A3		
Date:	2017/12/07	Sheet of
File:	C:\Users\JMUX\SchDoc	Drawn By:

